

## Non-Illuminated Rocker Switches DPST Off-On 250V AC 16A - Black



### DESCRIPTION

High-quality rocker switches designed for use in damp environments.

### DISTINCTIVE FEATURES

- Non-illuminated
- DPST, Off-On
- Maintained-Maintained
- Black rocker button
- Legend: 0/1

### APPLICATIONS

Floor cleaning machines, professional tools, kitchen appliances and small devices of all types.

16A

250V  
AC

CLASS  
II

IP65

UL94-  
V2



## ELECTRICAL SPECIFICATION

Rating resistive and/or motor switching	16 (8) A 250V AC 1E4
	12 (10) A 250V AC 5E4
	10A 400V AC 1E4
USA Rating	20A 125V AC
	16A 250V AC
Insulation Resistance	> 10MΩ
Insulation Class (Double Insulated)	Class II
Dielectric Strength	4000V
Proof tracking index	PTI 250V



## GENERAL SPECIFICATION

Type	Rocker switch
Contacts	DPST
Actuating Force	< 15N
Contact Opening	> 3mm
Mechanical Life	> 300,000 operations
Finish	Gloss



## CERTIFICATION AND STANDARDS

Standards	EN61058
	UL1054
	CSA C.22.2 no 55-1986



## ENVIRONMENTAL/OPERATING SPECIFICATION

Operating Temperature	T65°C
Flame resistance	UL94-V2
Glow wire test	850°C
IP Protection Rating	IP65



## TERMINALS

Type	Solder tags
Dimensions	9.5 x 6.3 x 0.8mm



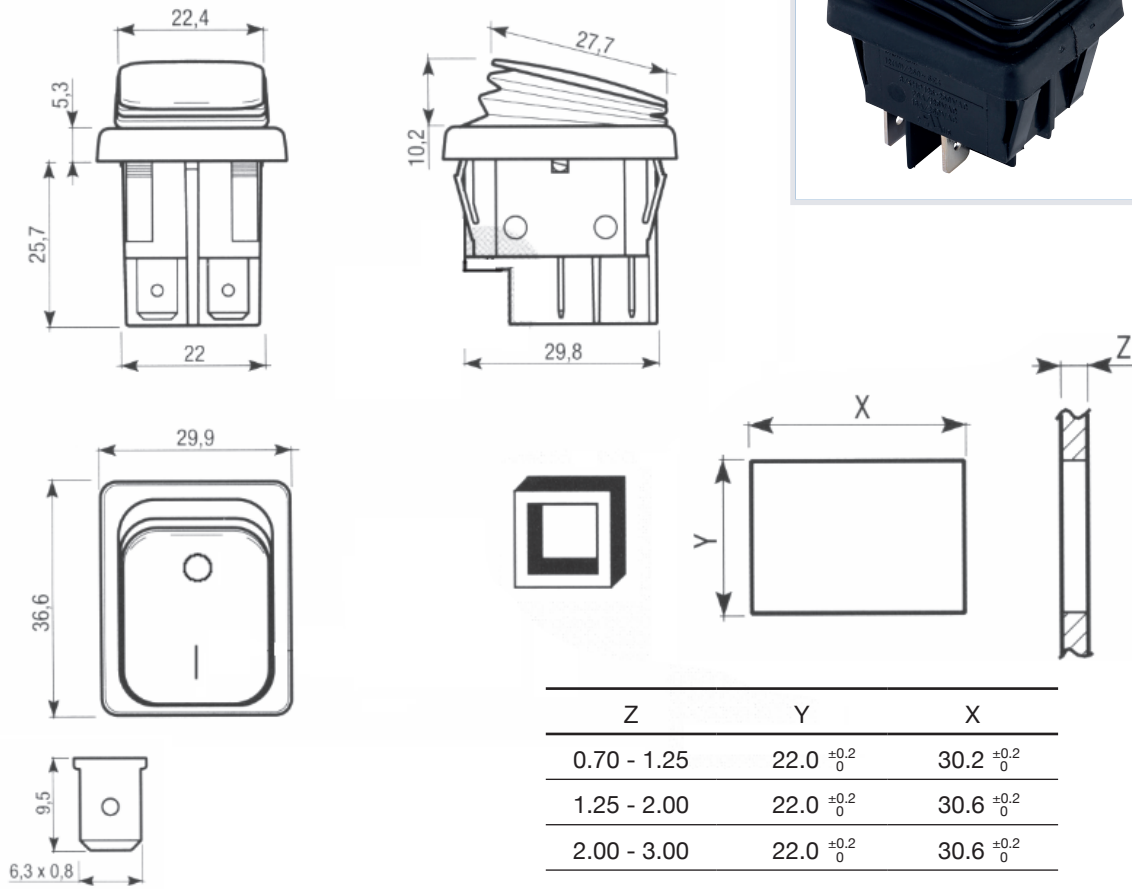
## OPTIONS

Options	MOQs May Apply
Contacts	e.g. DPDT, SPST
Legend	Custom legends available
GWT	e.g. GWT No flame (<2sec ) 750°C



## DIMENSIONS/DRAWINGS

Dimensions	mm
------------	----



## PART NUMBER TABLE

Part number	EAN	UNSPSC	Country of Origin
52-2775	5053556003020	39122226	Italy

# R-TECH

Tried & trusted technology

**Important Notice:** This data sheet and its contents (the "Information") belong to Rapid Electronics Limited or are licensed to it. No licence is granted for the use of it other than for information purposes in connection with the products to which it relates. No licence of any intellectual property rights is granted. The Information is subject to change without notice and replaces all data sheets previously supplied. The Information supplied is believed to be accurate but Rapid Electronics Limited assumes no responsibility for its accuracy or completeness, any error in or omission from it or for any use made of it. Users of this data sheet should check for themselves the Information and the suitability of the products for their purpose and not make any assumptions based on information included or omitted. Liability for loss or damage resulting from any reliance on the Information or use of it (including liability resulting from negligence or where Rapid Electronics Limited were aware of the possibility of such loss or damage arising) is excluded. This will not operate to limit or restrict Rapid Electronics Limited's liability for death or personal injury resulting from its negligence.