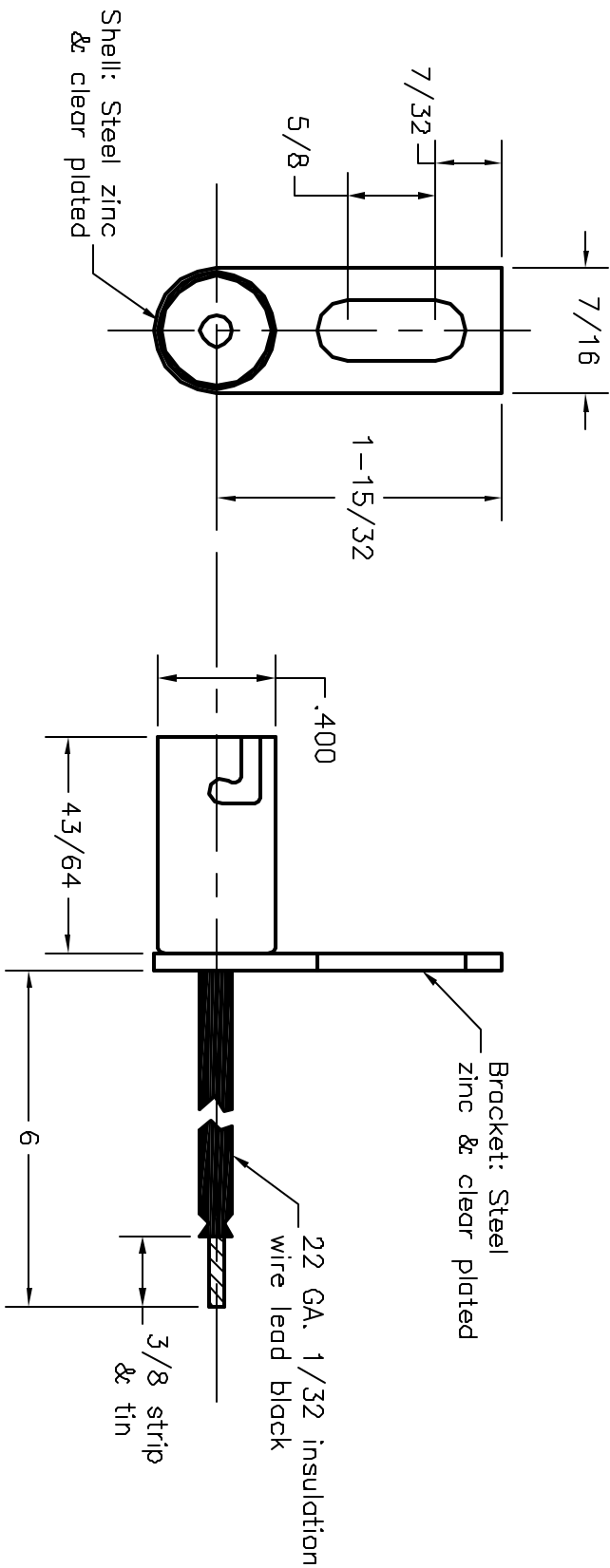
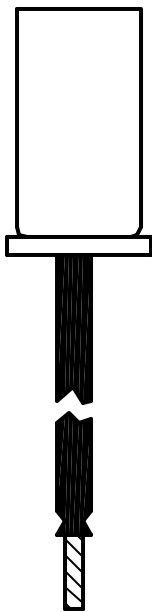


ALL RIGHTS RESERVED. NO PORTION OF THIS PUBLICATION, WHETHER IN WHOLE OR IN PART CAN BE REPRODUCED WITHOUT THE EXPRESS WRITTEN CONSENT OF SPC TECHNOLOGY.

REVISONS		DOC. NO. SPC-F005	Effective 12/21/98	DCP No 890	
DCP #	REV	DESCRIPTION	DRAWN DATE	CHECKD DATE	APPRVD DATE
1948	A	RELEASED	HYD 12/14/99	JC 12/21/99	DJC 12/29/99



**DISCLAIMER:**  
ALL STATEMENTS AND TECHNICAL INFORMATION CONTAINED HEREIN ARE BASED UPON INFORMATION AND/OR TESTS WE BELIEVE TO BE ACCURATE AND RELIABLE. SINCE CONDITIONS OF USE ARE BEYOND OUR CONTROL, THE USER SHALL DETERMINE THE SUITABILITY OF THE PRODUCT FOR THE INTENDED USE AND ASSUME ALL RISK AND LIABILITY WHATSOEVER IN CONNECTION THEREWITH.



DRAWN BY: HISHAM ODISH		DATE: 12/14/99		DRAWING TITLE: Miniature Bayonet Lamp holder With One Wire lead	
CHECKED BY: JOHN COLE		DATE: 12/21/99		SIZE DWG. NO. A SPC21766	
APPROVED BY: DANIEL CAREY		DATE: 12/28/99		ELECTRONIC FILE 16M1257.DWG	
Tolerances Unless otherwise Specified		Fractional ± 1/64		REV A	
Decimals		.XXX ± .005		SCALE: NTS U.O.M.: INCHES SHEET: 1 OF 1	