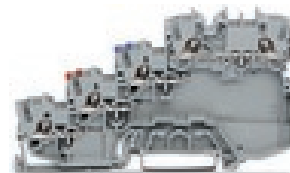




## 4-conductor sensor terminal block; with ground connection via push-in type jumper bars

Item No.: 2000-5410



4-conductor sensor terminal block; with ground connection via push-in type jumper bars

### Marking

RoHS ✓  
Compliant

### Business data

Supplier	WAGO
Item no.	2000-5410
GTIN / EAN	4055143442244
Content	1
Order amount	50
Customer item number	

### Notes

*Item description:* 3.5 mm spacing per signal (2 x 3.5 mm = 7 mm) The double spacing per pole of this terminal block series maximizes connectivity. For example, ten sensors may be connected using only five sensor terminal blocks plus a power supply terminal block. *Safety information 1:* Ground connection via commoning to terminal blocks with ground foot

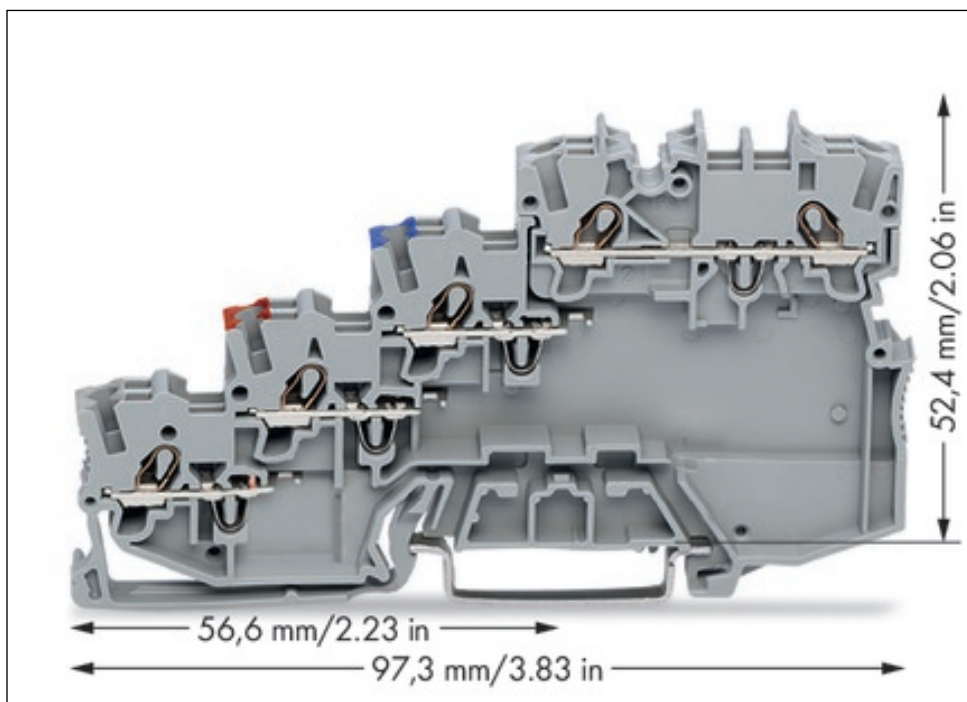
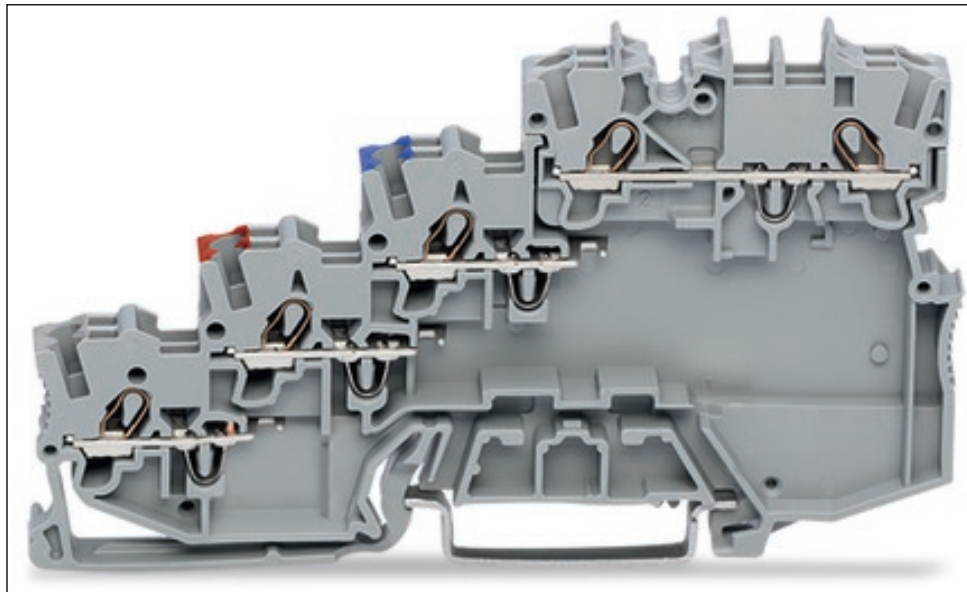
### Technical data

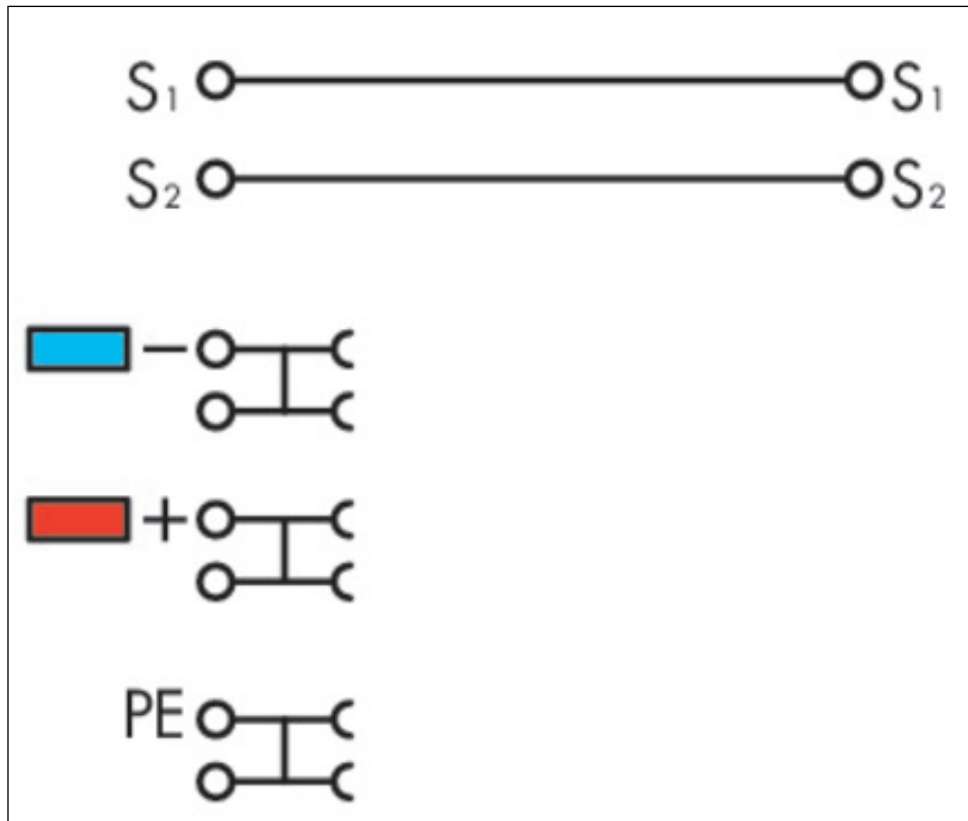
#### Miscellaneous

Packaging type	BOX
Ratings per	IEC/EN 60947-7-1

<b>Technical data</b>	
<i>Rated voltage (III / 3) [V]</i>	250 [V]
<i>Rated impulse voltage (III / 3) [kV]</i>	4 [kV]
<i>Rated current [A]</i>	13.5 [A]
<i>Legend (ratings)</i>	(III / 3) Overvoltage category III / Pollution degree 3
<i>Type of wiring</i>	Front-entry wiring
<i>Total number of connection points</i>	10
<i>Total number of potentials</i>	5
<i>Connection technology</i>	Push-in CAGE CLAMP®
<i>Number of connection points (connection type)</i>	10
<i>Actuation type</i>	Push-in
<i>Connectable conductor materials</i>	Copper
<i>Nominal cross section</i>	1 mm <sup>2</sup>
<i>Solid conductor</i>	0.14 ... 1.5 mm <sup>2</sup> / 24 ... 16 AWG
<i>Solid conductor, push-in termination</i>	0.5 ... 1.5 mm <sup>2</sup> / 20 ... 16 AWG
<i>Fine-stranded conductor</i>	0.14 ... 1.5 mm <sup>2</sup> / 24 ... 16 AWG
<i>Fine-stranded conductor with ferrule, push-in termination, f</i>	0.5 mm <sup>2</sup> / 20 AWG
<i>Strip length</i>	9 ... 11 mm / 0.35 ... 0.43 Inch
<i>Width</i>	7 mm / 0.276 Inch
<i>Height from upper-edge of DIN-35 rail</i>	52.4 mm / 2.063 Inch
<i>Design</i>	horizontal
<i>Type of mounting</i>	Carrier rail 35 x 15
<i>Marking level</i>	Center/side marking
<i>Color</i>	gray
<i>Insulating material</i>	Polyamide 66 (PA 66)
<i>Fire load [MJ]</i>	0.358 [MJ]
<i>Weight [g]</i>	17.53 [g]

Images & drawings





#### Address

WAGO Kontakttechnik GmbH & Co. KG

Hansastr. 27

32423 Minden

Telefon: 0571/887-0

Fax: 0571/887-169

<http://www.wago.com>

© WAGO Kontakttechnik GmbH & Co. KG

Technische Änderungen und Irrtümer vorbehalten.