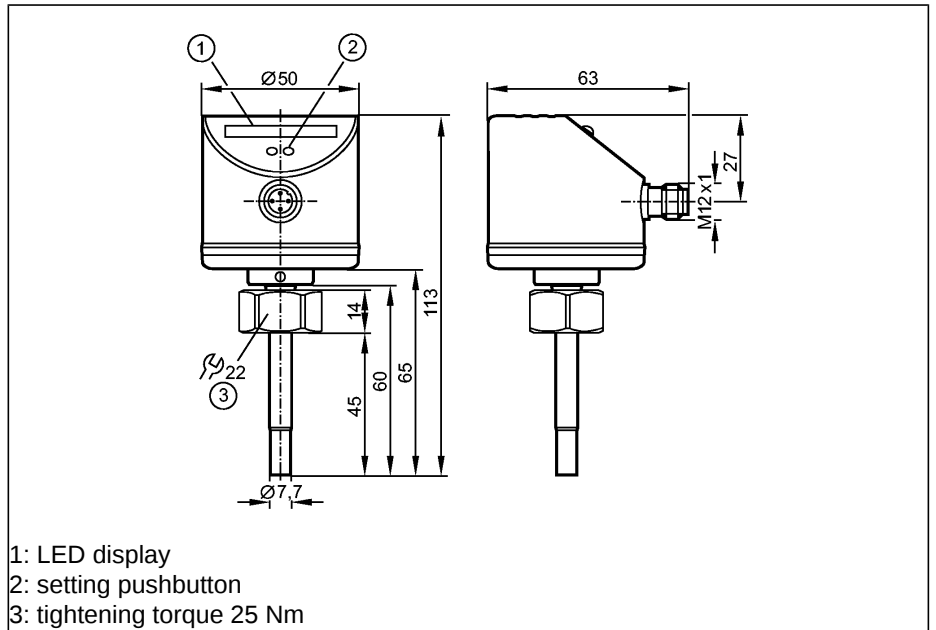


Flow sensors

SI5000

SID10ABBFPKG/US
 Flow monitor
 Compact type for adapter
 Connector
 Process connection: internal thread
 M18 x 1.5 for adapter



1: LED display
 2: setting pushbutton
 3: tightening torque 25 Nm

Made in Germany



Application	
Electrical design	
Output	
Operating voltage	[V]
Current rating	[mA]
Short-circuit protection	
Reverse polarity protection	
Overload protection	
Voltage drop	[V]
Current consumption	[mA]
Max. temperature gradient of medium	[K/min]
Pressure rating	[bar]
Liquids	
Medium temperature	[°C]
Setting range	[cm/s]
Greatest sensitivity	[cm/s]
Gases	
Medium temperature	[°C]
Setting range	[cm/s]
Greatest sensitivity	[cm/s]

liquids and gases	
DC PNP	
normally open / closed programmable	
	19...36 DC
	250
	pulsed
	yes
	yes
	< 2.5
	< 60
	300
	30
	-25...80
	3...300
	3...100
	-25...80
	200...3000
	200...800

SI5000

Adjustment of the switch point		pushbuttons
Switch point accuracy [cm/s]		± 2...± 10 *)
Hysteresis [cm/s]		2...5 *)
Repeatability [cm/s]		1...5 *)
Power-on delay time [s]		10
Response time [s]		1...10
Temperature drift [cm/s x 1/K]		0.1 **)
Ambient temperature [°C]		-25...80
Storage temperature [°C]		-25...100
Protection		IP 67, III
Shock resistance		DIN IEC 68-2-27: 50 g (11 ms)
Vibration resistance		DIN EN 60068-2-6: 20 g (55...2000 Hz)
EMC		EN 61000-4-2 ESD: 4 kV CD / 8 kV AD EN 61000-4-3 HF radiated: 10 V/m EN 61000-4-4 Burst: 2 kV EN 61000-4-6 HF conducted: 10 V
MTTF [Years]		298
Housing materials		stainless steel 316L / 1.4404; stainless steel 304 / 1.4301; PC (Makrolon); PBT-GF 20; EPDM/X (Santoprene)
Materials (wetted parts)		stainless steel 316L / 1.4404; O-ring: FPM 8 x 1.5 gr 80° Shore A
Function display	LED	10 LEDs, three-colour
Connection		M12 connector
Weight [kg]		0.235
Remarks		*) for water; 5...100 cm/s; 25°C (factory setting) **) for water; 5...100 cm/s; 10...70°C

Wiring

