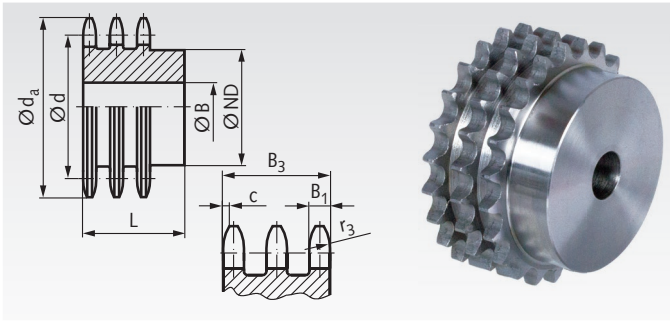


Triple-Strand Sprockets DRS with Hub, ISO 10 B-3



Material: Steel C45, not hardened.
Pre-bored.
Sprockets marked with * are made from grey cast iron GG25.

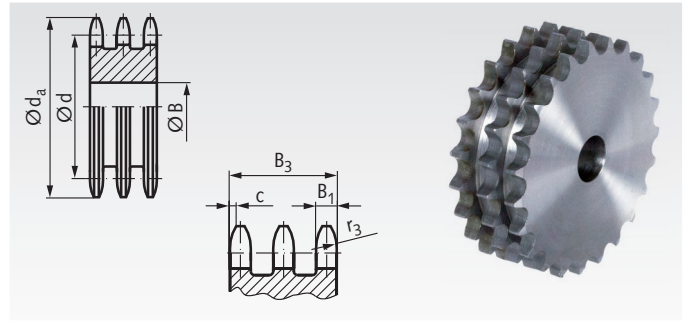
Ordering Details: e.g.: Product No. 136 108 00, DRS, ISO 10 B-3, 8 Teeth

ISO 10 B-3, Pitch 5/8 x 3/8"

$B_1 = 9$ mm, $B_3 = 42.1$ mm, $c = 1.6$ mm, $r_3 = 16$ mm

Product No.	Number of teeth	d_a mm	d mm	ND mm	B mm	L mm	Weight kg
136 108 00	8	48,4	41,48	25	12	55	0,27
136 110 00	10	58,3	51,37	35	16	55	0,47
136 111 00	11	63,2	56,34	39	16	55	0,61
136 112 00	12	68,2	61,34	44	16	55	0,78
136 113 00	13	73,2	66,32	49	16	55	0,96
136 114 00	14	78,2	71,34	54	16	55	1,15
136 115 00	15	83,2	76,36	59	16	55	1,37
136 116 00	16	88,3	81,37	64	16	60	1,72
136 117 00	17	93,3	86,39	69	16	60	1,99
136 118 00	18	98,3	91,42	74	16	60	2,27
136 119 00	19	103,3	96,45	79	16	60	2,58
136 120 00	20	108,4	101,49	84	16	60	2,91
136 121 00	21	113,4	106,52	85	20	60	3,12
136 122 00	22	118,4	111,55	90	20	60	3,48
136 123 00	23	123,5	116,58	95	20	60	3,86
136 124 00	24	128,5	121,62	100	20	60	4,25
136 125 00	25	133,6	126,66	105	20	60	4,67
136 127 00	27	143,6	136,75	110	20	60	5,43
136 130 00	30	158,8	151,87	120	20	60	6,65
136 138 00	38	199,1	192,24	120	25	60	10,08
136 145 00*	45	236,0	227,58	100	32	60	7,04
136 157 00*	57	296,6	288,18	100	32	63	8,00
136 176 00*	76	392,5	384,16	110	35	67	12,00
136 183 00*	95	488,5	480,14	125	35	70	19,40
136 188 00*	114	584,5	576,13	125	35	80	24,00

Triple-Strand plate wheels DRL, ISO 10 B-3



Material: Low-carbon steel, not hardable.
Pre-bored.

Ordering Details: e.g.: Product No. 136 208 00, DRL, ISO 10 B-3, 8 Teeth

ISO 10 B-3, Pitch 5/8 x 3/8"

$B_1 = 9$ mm, $B_3 = 42.1$ mm, $c = 1.6$ mm, $r_3 = 16$ mm

Product No.	Number of teeth	d_a mm	d mm	B mm	Weight kg
136 208 00	8	48,4	41,48	12	0,23
136 212 00	12	68,2	61,34	12	0,67
136 213 00	13	73,2	66,32	12	0,81
136 214 00	14	78,2	71,34	12	0,97
136 215 00	15	83,2	76,36	12	1,14
136 216 00	16	88,3	81,37	16	1,29
136 217 00	17	93,3	86,39	16	1,49
136 218 00	18	98,3	91,42	16	1,70
136 219 00	19	103,3	96,45	16	1,92
136 220 00	20	108,4	101,49	16	2,15
136 221 00	21	113,4	106,52	16	2,40
136 222 00	22	118,4	111,55	16	2,66
136 223 00	23	123,5	116,58	16	2,94
136 224 00	24	128,5	121,62	16	3,23
136 225 00	25	133,6	126,66	16	3,53
136 227 00	27	143,6	136,75	20	4,13
136 228 00	28	148,7	141,78	20	4,47
136 229 00	29	153,7	146,83	20	4,83
136 230 00	30	158,8	151,87	20	5,20
136 235 00	35	184,0	177,10	20	7,23
136 238 00	38	199,1	192,24	25	8,55
136 245 00	45	236,0	227,58	25	12,24
136 257 00	57	296,6	288,18	25	20,06
136 276 00	76	392,5	384,16	30	36,27
136 283 00	95	488,5	480,14	30	57,32
136 288 00	114	584,5	576,13	30	83,15



**Reworking within
24h-service possible.
Custom made parts
on request.**