

## Features

- 230-240V AC 50Hz Input
- Direct UK Fixed Plugtop Adapters
- Approved to UKCA, CE, TUV, RoHS & REACH
- EN/IEC 62368-1, 61558-1, 61558-2-6 Safety Approved
- Meets Efficiency Level VI & (EU) 2019/1782
- Output Voltage 9~18V
- Output Current 0.56~1.1A



Ideal Power's 77DB-10-xy-M 10VA AC/AC External Adapter UK Plugtop Power Supply (PSU) Series are certified to UKCA, CE, TUV, RoHS, REACH & EN 62368-1/IEC 62368-1/IEC 61558-1/IEC 61558-2-8 Standards and comply with (EU) 2019/1782, Level VI Efficiency Regulations. These are primarily used in ITE, Audio & Video Industries and customised solutions are available upon request.

### Models

Model Number	Output Voltage V AC	Output Current Amp	Output Power VA	Efficiency %
77DB-10-09M	9	1.1		
77DB-10-15M	15	0.67	10	80
77DB-10-18M	18	0.56		

### Input Data

	Min	Typical	Max	Units
Input Voltage	230	--	240	V AC
Input Frequency	--	50	--	Hz

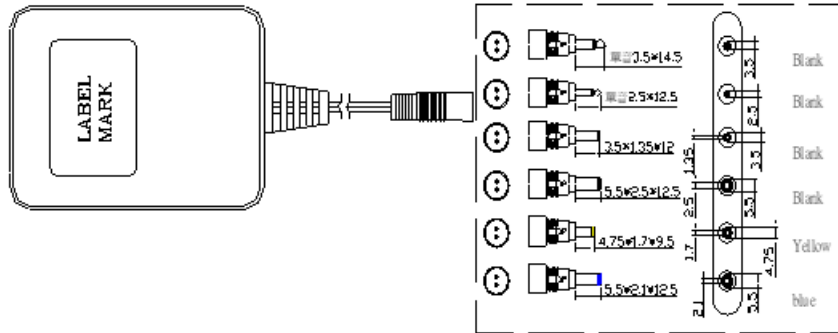
### General Specifications

	Min	Typical	Max	Units	Notes
Operating Temperature	-10	--	+40	°C	
Storage Temperature	-20	--	+70	°C	
Relative Temperature	--	40	--	°C	±2°C
Relative Humidity	--	90	--	RH	
HI-POT:					
PRI To SEC		3750		V	77DB-10-09M
PRI To CORE	--	3750	--		
SEC To CORE		1250			
PRI To SEC		4200			
PRI To CORE	--	4200	--	V	77DB-10-15M & 77DB-10-18M
SEC To CORE		2100			
Safety Standard					IEC/EN 62368-1, 61558-1, 61558-2-6
Insulation Class					B (130) °C

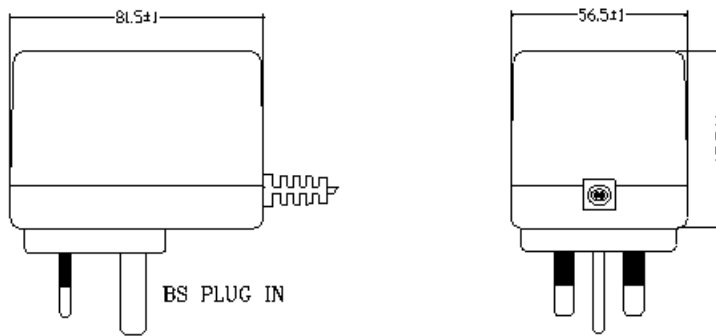
Other Information

Dimensions	81.5 x 56.5 x 48.5 mm
Output Cable	2468 22AWG*2C 1.8m Length + 6 Piece Connector Set

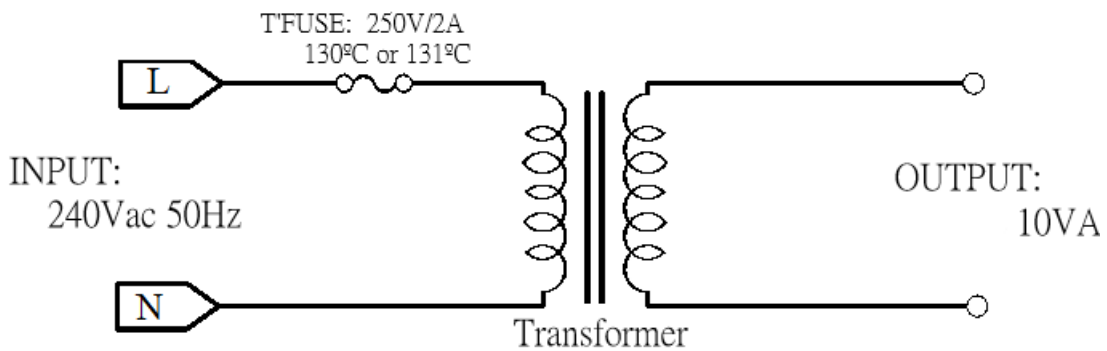
Mechanical Drawing



OUTPUT CORD:  
2468 22AWG\*2C 80°C



Electrical Circuit



AC - AC