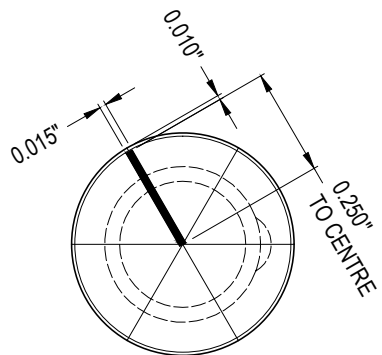
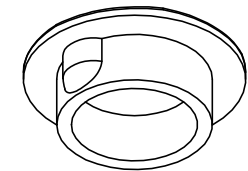
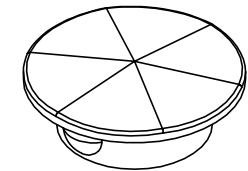
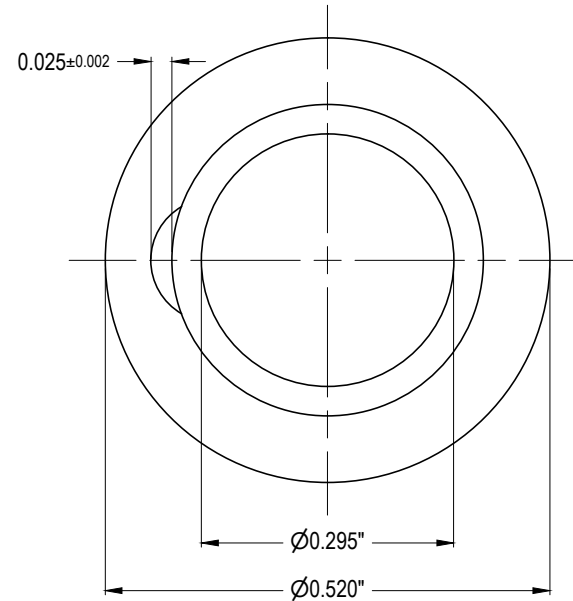
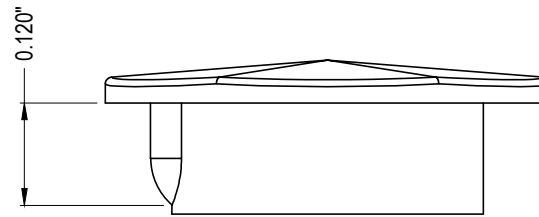
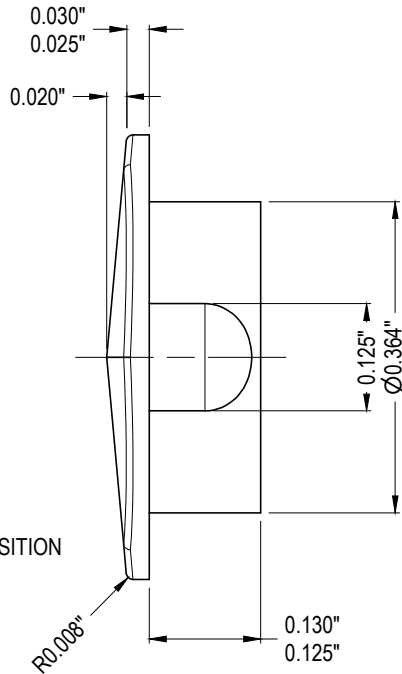
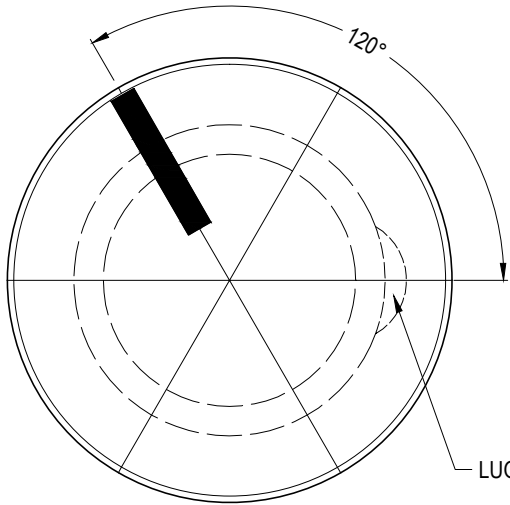


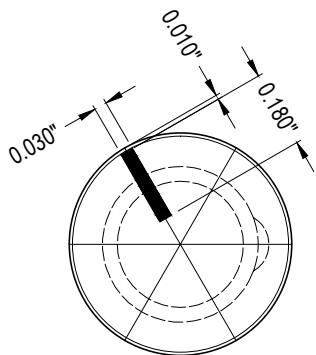
ISS.	AMEND	DATE
1	1st DRAWN	18/10/06
2	CL1744 ADDED	22/06/10
3	CL1745 ADDED	04/01/12
4	CG P/N DEL+CL1773	25/02/14
5	ADDED K21 TO TITLE	27/02/15

**NOTES:-**

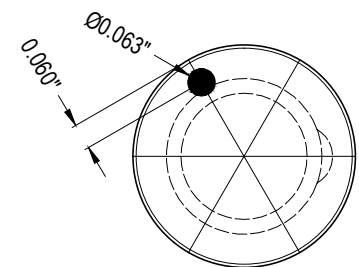
1. DRAWING IN INCHES.
2. TOLERANCE UNLESS OTHERWISE STATED  $\pm 0.003"$
3. THIS DRAWING REPLACES 03.05.0010



CUSTOM THIN LINE  
CL1773 ONLY



STANDARD LINE



STANDARD DOT

CAP COLOUR	W/O ML	WITH ML	WITH MD	PRINTED COLOUR
BLACK	CL1730	CL1764	CL1745	WHITE
BLACK	-	CL17761	-	GOLD
WHITE	CL1732	CL1766	CL1746	BLACK
GREY	CL1736	CL1770	CL1750	WHITE
GREEN	CL1742	CL1776	CL1755	WHITE
YELLOW	CL1738	CL1772	CL1752	BLACK
YELLOW	-	CL1773	-	CUSTOM BLACK THIN
RED	CL1734	CL1768	CL1748	WHITE
BLUE	CL1740	CL1774	CL1754	WHITE
ORANGE	CL1744	CL1769	CL1761	WHITE

## MARKER LINE + DOT PRINTING SIZE AND POSITIONS

**RoHS**  
COMPLIANT

**TOLERANCE**  
NO DEC. PLACE  $\pm$   
1 DEC. PLACE  $\pm$   
2 DEC. PLACE  $\pm$   
HOLE  $\varnothing$   $\pm$   
ANGLES  $\pm$   
UNLESS  
OTHERWISE STATED

DO NOT SCALE

**Cliff Electronic Components Ltd.**  
76 Holmethorpe Avenue, Holmethorpe Industrial Estate,  
Redhill, Surrey, RH1 2PF, England, UK  
Tel: 01737-771375 Fax: 01737-766012 Website: www.cliffuk.co.uk

DIMENSIONS IN INCHES UNLESS OTHERWISE STATED. WORK TO DIMENSIONS. REMOVE ALL BURRS. IF IN DOUBT ASK.

3rd ANGLE PROJECTION:

THE CONTENTS OF THIS DOCUMENT MUST NOT BE COPIED OR DISCLOSED TO A 3rd PARTY WITHOUT WRITTEN PERMISSION OF CLIFF UK. © 2006

MATERIAL: ABS  
FINISH: SPARK ERODED VARIOUS COLOURS  
DRAWN: NJB  
APPROVED: D.P.J.

TITLE: K9 / K10 / K21 CAP (ALL VARIANTS)  
DRWG. No. **CL1730**  
FORM: A4DRWGH