

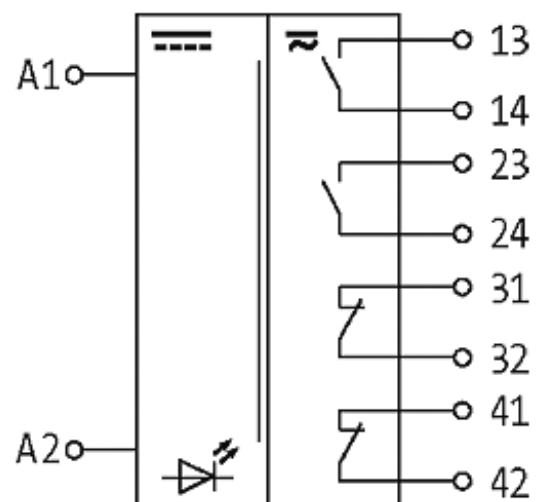
## RM 122/24 OUTPUT RELAY

IN: 24 VDC - OUT: 250 VAC/DC / 5 A

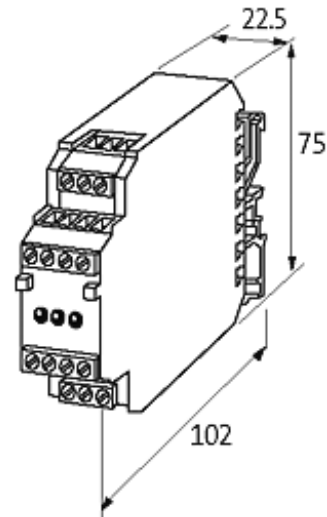
1 relay; 2 NO contacts/2 NC contacts  
5 A  
24 V DC  
with force guided contacts  
Screw terminals

### [Link to Product](#)

#### Illustration



stay connected



Product may differ from Image

### Utilization category

AC-1	5 A (24/110/230 V AC)
DC-13	2 A (24 V DC); 0.4 A (110 V DC); 0.2 A (230 V DC)
AC-15	4 A (24 V AC); 3 A (110 V AC); 2 A (230 V AC)

### Input

Connection voltage - current	24 V DC (21.6...28 V DC) - 29 mA
LED display	LED (red)

### General data

Mech./ elect. life	1.000.000 switching cycles/load dependent
Test isolation voltage	2.5 kV
Mounting method	DIN-rail mountable TH35 or G32 (EN 60715)
Temperature range	-20...+50 °C
Dimensions H × W × D	75×22.5×85 mm

### Output

Switching voltage	max. 250 V AC/DC
Switching current per output	max. 5 A
Min. load current	300 mA
Power rating (voltage dependent)	max. 1000 VA/50 W
Switching frequency	max. 0.1 Hz (with load)
Contact material	Ag Ni 10 hv
Energize/release/contact bounce time	15/15/2 ms

### Commercial data

country of origin	CZ
customs tariff number	85364900
minimum order quantity	1