

## Features:

- Collector-Emitter sustaining voltage-  
 $V_{CEO(sus)} = 80V$  (Min.) - TIP131, TIP136  
 $= 100V$  (Min.) - TIP132
- Collector-Emitter saturation voltage -  
 $V_{CE(sat)} = 2V$  (Max.) at  $I_C = 4A$
- Monolithic construction with Built-in Base-Emitter shunt resistor

## Maximum Ratings

Characteristic	Symbol	TIP131 TIP136	TIP132	Unit
Collector-Emitter Voltage	$V_{CEO}$	80	100	V
Collector-Base Voltage	$V_{CBO}$			
Emitter-Base Voltage	$V_{EBO}$	5		
Collector Current-Continuous -Peak	$I_C$ $I_{CM}$	8 12		A
Base Current	$I_B$	0.3		mA
Total Power Dissipation at $T_C = 25^\circ C$ Derate above $25^\circ C$	$P_D$	70 0.56		W W/ $^\circ C$
Operation and Storage Junction Temperature Range	$T_J, T_{STG}$	-65 to +150		$^\circ C$

## Thermal Characteristics

Characteristic	Symbol	Max.	Unit
Thermal Resistance Junction to Case	$R_{\theta jc}$	1.785	$^\circ C/W$

## Electrical Characteristics:

( $T_C = 25^\circ\text{C}$  unless otherwise noted)

Characteristic	Symbol	Min.	Max.	Unit
----------------	--------	------	------	------

### Off Characteristics

Collector-Emitter Sustaining Voltage (1) $I_C = 30\text{mA}, I_B = 0$ TIP131, TIP136 TIP132	$V_{CEO(sus)}$	80 100	-	V
Collector Cut off Current $V_{CE} = 40\text{V}, I_B = 0$ TIP131, TIP136 $V_{CE} = 50\text{V}, I_B = 0$ TIP132	$I_{CEO}$	-	0.5 0.5	mA
Collector Cut off Current $V_{CB} = 80\text{V}, I_E = 0$ TIP131, TIP136 $V_{CB} = 100\text{V}, I_E = 0$ TIP132	$I_{CBO}$	-	0.2 0.2	
Emitter Cut off Current $V_{EB} = 5\text{V}, I_C = 0$	$I_{EBO}$	-	5	

### On Characteristics (1)

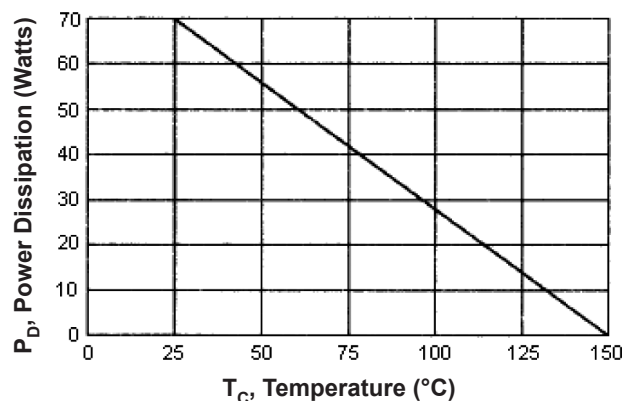
DC Current Gain $I_C = 1\text{A}, V_{CE} = 4\text{V}$ $I_C = 4\text{A}, V_{CE} = 4\text{V}$	$h_{FE}$	500 1,000	15,000	-
Collector-Emitter Saturation Voltage $I_C = 4\text{A}, I_B = 16\text{mA}$ $I_C = 6\text{A}, I_B = 30\text{mA}$	$V_{CE(sat)}$	-	2 3	V
Base-Emitter On Voltage $I_C = 4\text{A}, V_{CE} = 4\text{V}$	$V_{BE(on)}$	-	2.5	

### Dynamic Characteristics

Output Capacitance $V_{CB} = 10\text{V}, I_E = 0, f = 0.1\text{MHz}$	$C_{ob}$	-	250	pF
---	----------	---	-----	----

(1) Pulse Test: Pulse Width = 300 $\mu\text{s}$ , Duty Cycle  $\leq 2\%$ .

Figure - 1 Power Derating



## Internal Schematic Diagram

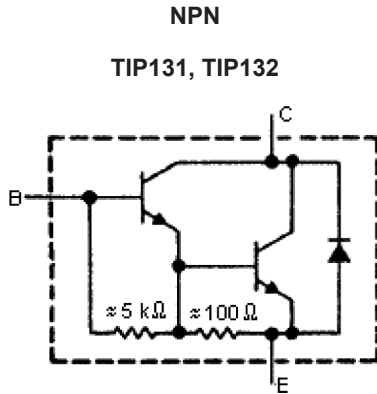


Figure - 2 DC Current Gain

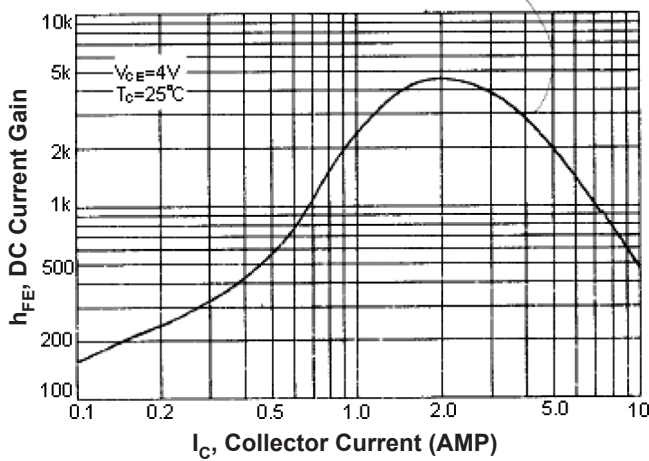


Figure - 4 Collector-Emitter Saturation Voltage

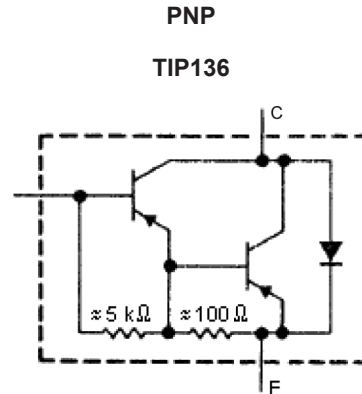
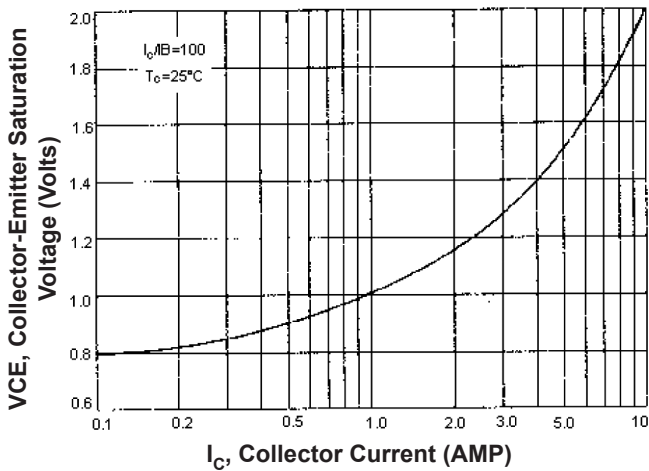


Figure - 3 Base-Emitter Voltage

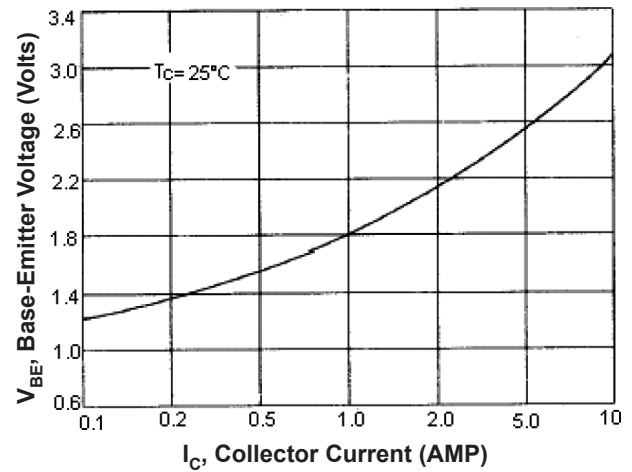


Figure - 5 Forward Voltage Commutating Diode

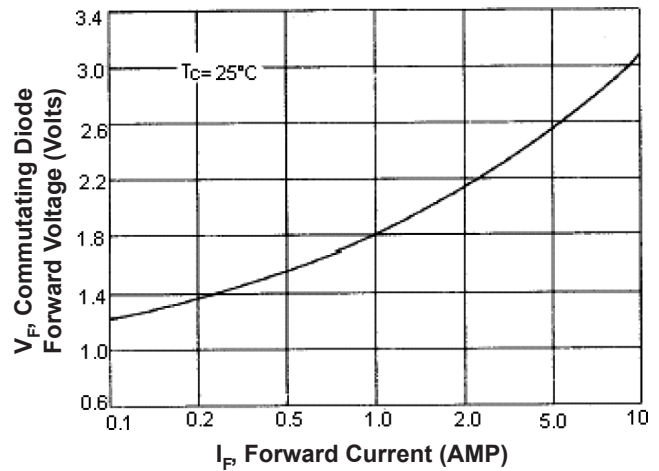
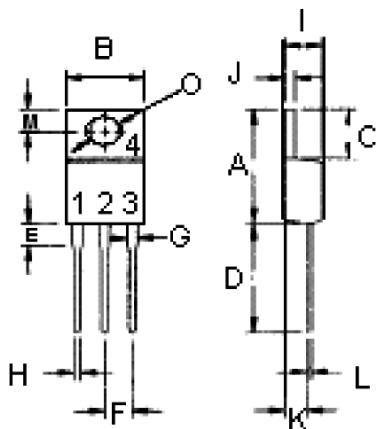
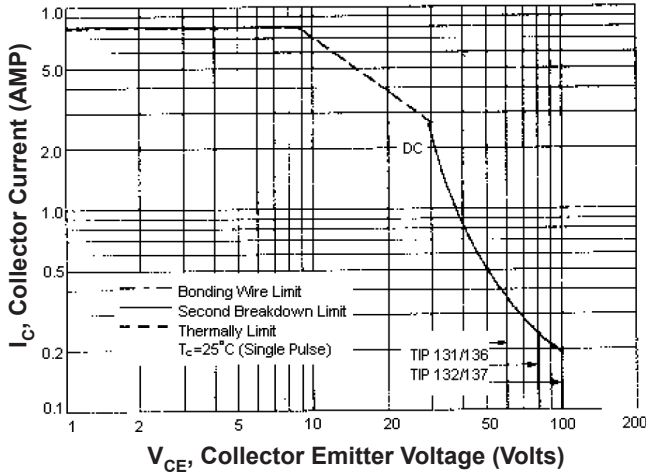


Figure - 6 Active Region Safe Operating Area



**Pin Configuration:**

- 1. Base
- 2. Collector
- 3. Emitter
- 4. Collector(Case)

There are two limitation on the power handling ability of a transistor: average junction temperature and second breakdown safe operating area curves indicate  $I_C$ - $V_{CE}$  limits of the transistor that must be observed for reliable operation i.e., the transistor must not be subjected to greater dissipation than the curves indicate.

The data of Figure - 5 and 6 is base on  $T_{J(PK)} = 150^\circ\text{C}$ ;  $T_C$  is variable depending on power level. Second breakdown pulse limits are valid for duty cycles to 10% provided  $T_{J(PK)} \leq 150^\circ\text{C}$ . At high case temperatures, thermal limitation will reduce the power that can be handled to values less than the limitations imposed by second breakdown.

Dimensions	Min.	Max.
A	14.68	15.31
B	9.78	10.42
C	5.01	6.52
D	13.06	14.62
E	3.57	4.07
F	2.42	3.66
G	1.12	1.36
H	0.72	0.96
I	4.22	4.98
J	1.14	1.38
K	2.2	2.97
L	0.33	0.55
M	2.48	2.98
O	3.7	3.9

Dimensions : Millimetres

**Part Number Table**

Description	Part Number
Darlington Transistor, NPN, TO-220	TIP131
	TIP132
Darlington Transistor, PNP, TO-220	TIP136

**Important Notice :** This data sheet and its contents (the "Information") belong to the members of the AVNET group of companies (the "Group") or are licensed to it. No licence is granted for the use of it other than for information purposes in connection with the products to which it relates. No licence of any intellectual property rights is granted. The Information is subject to change without notice and replaces all data sheets previously supplied. The Information supplied is believed to be accurate but the Group assumes no responsibility for its accuracy or completeness, any error in or omission from it or for any use made of it. Users of this data sheet should check for themselves the Information and the suitability of the products for their purpose and not make any assumptions based on information included or omitted. Liability for loss or damage resulting from any reliance on the Information or use of it (including liability resulting from negligence or where the Group was aware of the possibility of such loss or damage arising) is excluded. This will not operate to limit or restrict the Group's liability for death or personal injury resulting from its negligence. Multicomp Pro is the registered trademark of Premier Farnell Limited 2019.