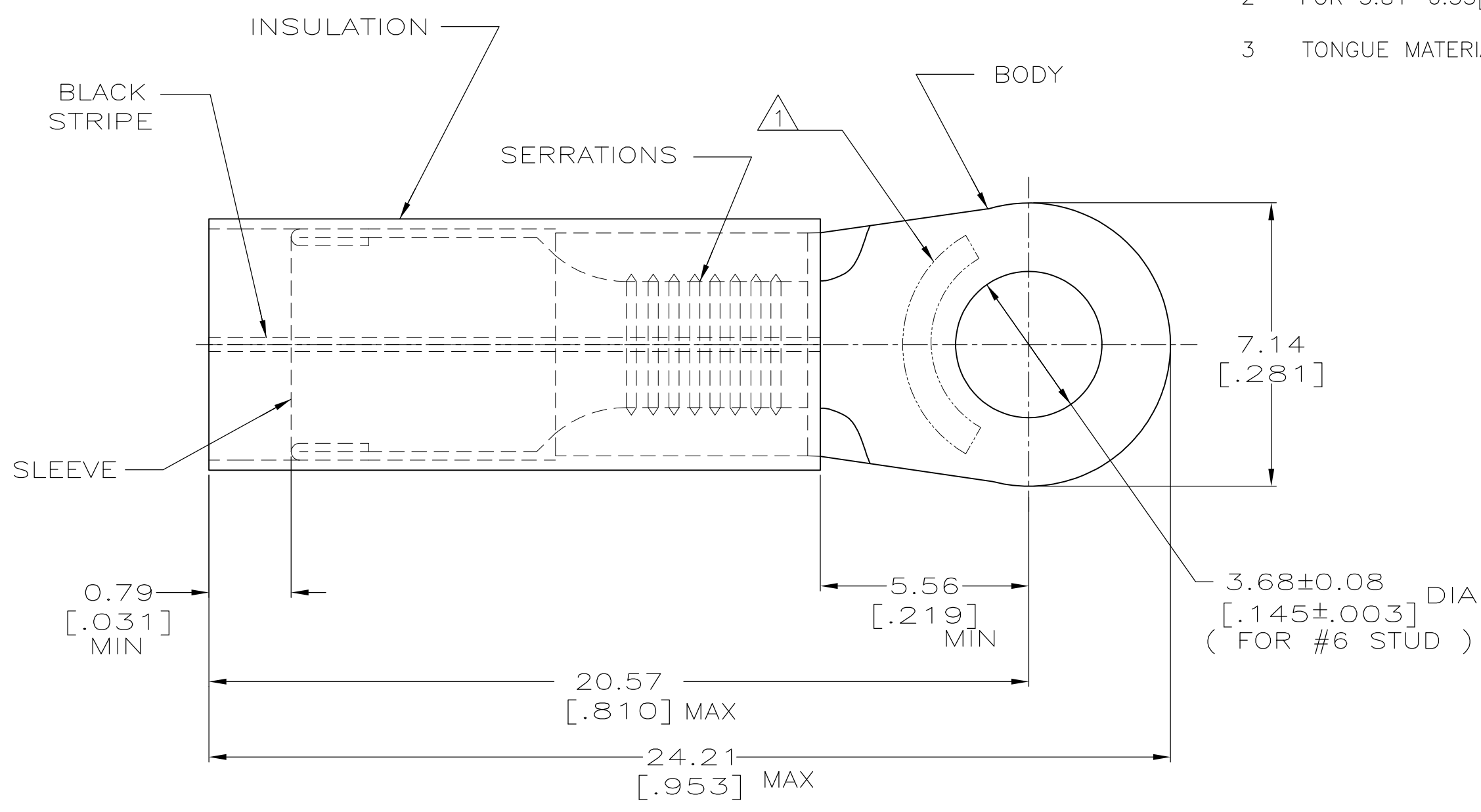


THIS DRAWING IS UNPUBLISHED. RELEASED FOR PUBLICATION
 © COPYRIGHT - By - ALL RIGHTS RESERVED.

LOC	DIST	REVISIONS					
G	14	P	LTR	DESCRIPTION	DATE	DWN	APVD
		K		REVISED PER ECO-14-015277	27FEB2015	NK	DR

- ① STAMP AMP 16-14 HD* LOCATED APPROX AS SHOWN.
- 2 FOR 3.81-6.35[.150-.250] WIRE INSULATION DIA.
- 3 TONGUE MATERIAL THK = 1.22±0.05[.048±.002].



2000	ON TAPE, REEL	2-35634-1
500	LOOSE PIECE	35634
QTY	DESCRIPTION	PART NO.

THIS DRAWING IS A CONTROLLED DOCUMENT.		DWN JR RUTH 20AUG99	STE TE Connectivity														
DIMENSIONS: mm [INCHES]		CHK T MICHELUTTI 20AUG99															
TOLERANCES UNLESS OTHERWISE SPECIFIED:		APVD T MICHELUTTI 20AUG99	NAME TERMINAL, RING TONGUE, PIDG, WIRE SIZE: 16-14 HD														
<table border="0"> <tr><td>0 PLC</td><td>± -</td></tr> <tr><td>1 PLC</td><td>± -</td></tr> <tr><td>2 PLC</td><td>± 0.20 [.008]</td></tr> <tr><td>3 PLC</td><td>± -</td></tr> <tr><td>4 PLC</td><td>± -</td></tr> <tr><td>ANGLES</td><td>± 5°</td></tr> </table>		0 PLC	± -	1 PLC	± -	2 PLC	± 0.20 [.008]	3 PLC	± -	4 PLC	± -	ANGLES	± 5°	PRODUCT SPEC -	APPLICATION SPEC -		
0 PLC	± -																
1 PLC	± -																
2 PLC	± 0.20 [.008]																
3 PLC	± -																
4 PLC	± -																
ANGLES	± 5°																
MATERIAL BODY - COPPER (ASTM B152) SLEEVE - COPPER (ASTM B152) INSULATION - NYLON, YELLOW		FINISH BODY - TIN PLATE (ASTM B545)	WEIGHT -	SIZE A3	CAGE CODE 00779	DRAWING NO C-35634	RESTRICTED TO -										
CUSTOMER DRAWING			SCALE 8:1	SHEET 1 OF 1	REV K												