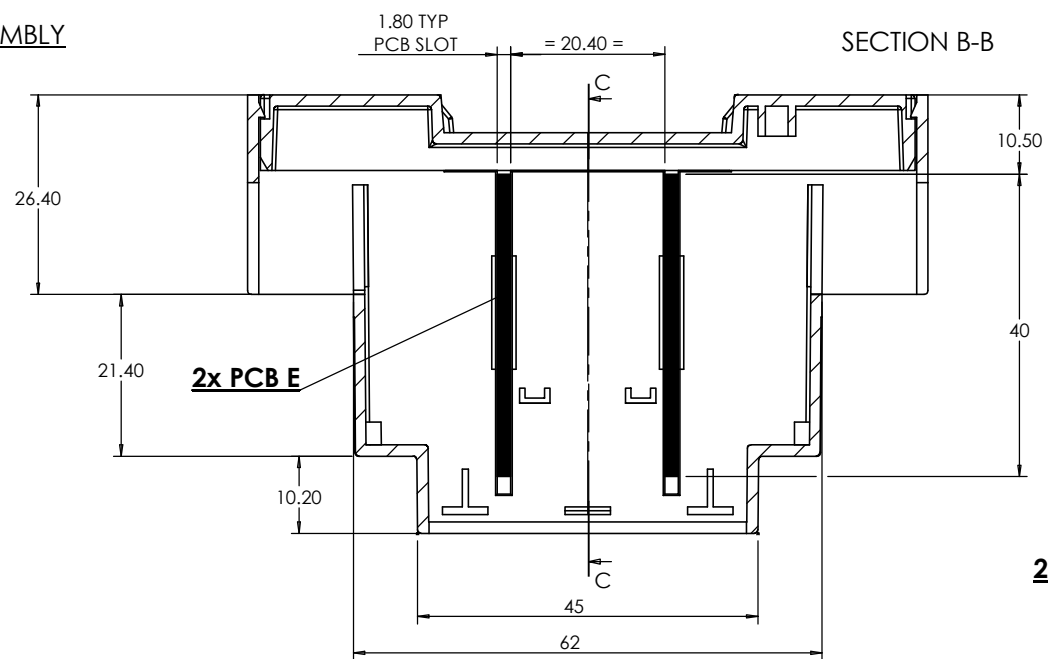


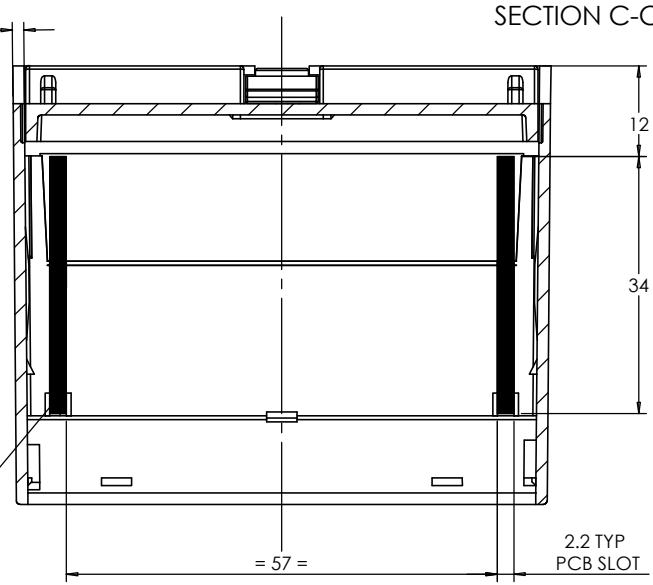
**ASSEMBLY**



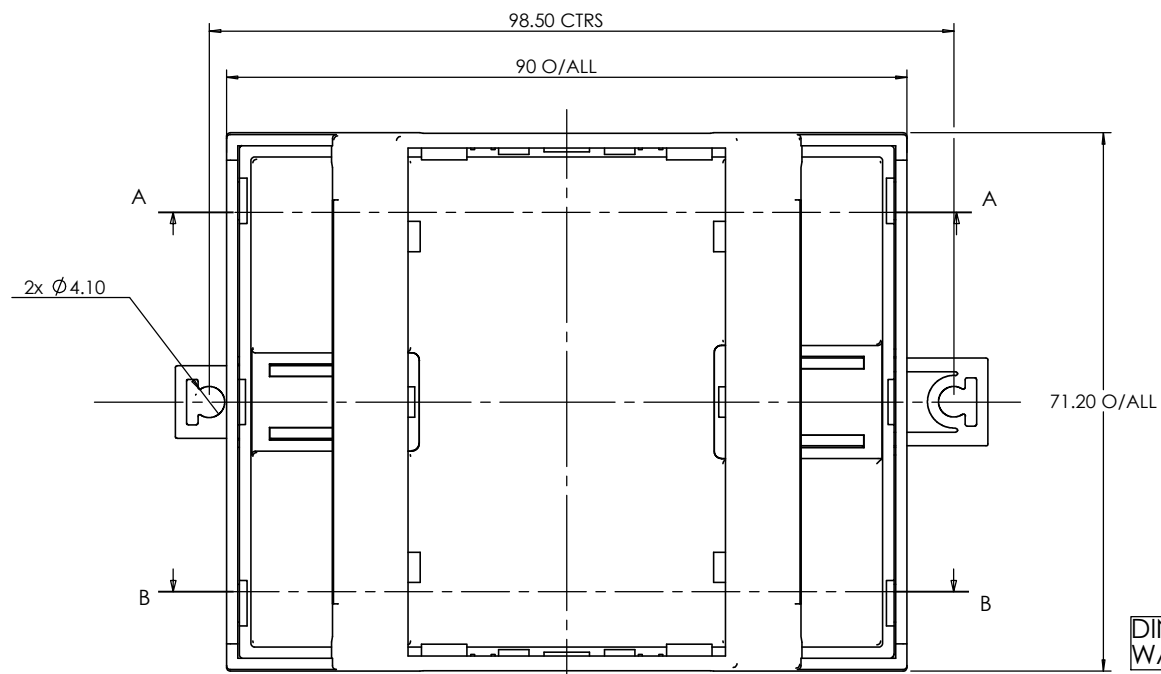
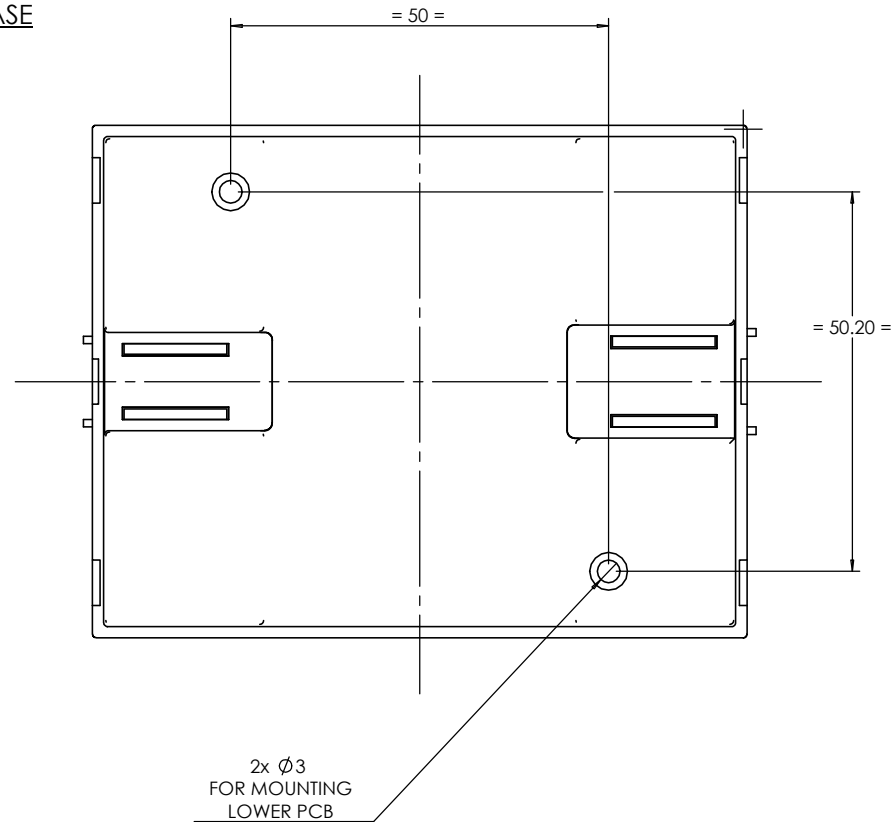
**SECTION B-B**

1.50 TYP WALL THK

**SECTION C-C**

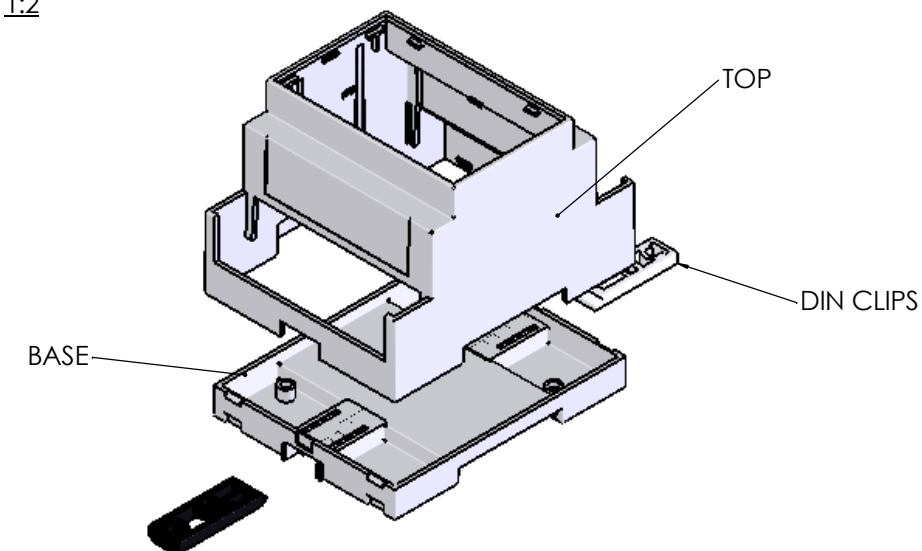


**BASE**

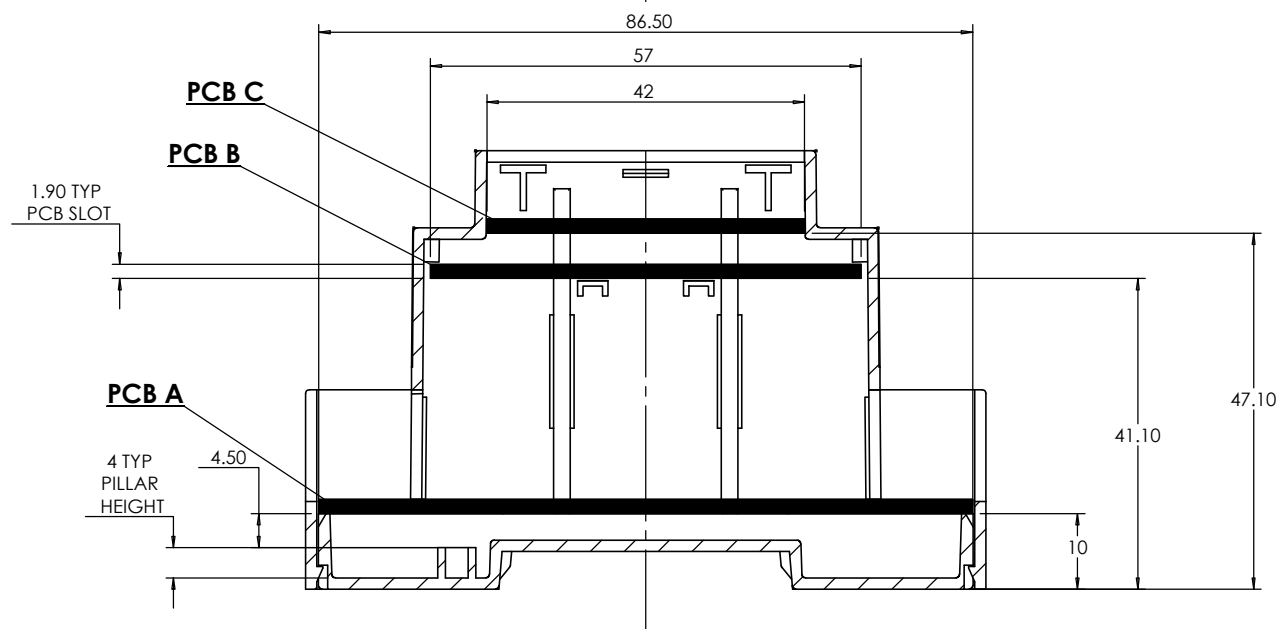


DIN CLIPS ARE SHOWN IN WALL MOUNTING POSITION

**ISO VIEW 1:2**



PCB DIMENSIONS (mm)	
A	86.5 x 68
B	57 x 67
C	42 x 67
D	34 x 59.6
E	40 x 68



**SECTION A-A**

<p><b>CAMDENBOSS</b>                  JAMES CARTER RD, MILDENHALL, SUFFOLK, IP28 7DE                  TEL: 01638 716101 FAX: 01638 716554                  EMAIL: Sales@CamdenBoss.com                  WEB: www.CamdenBoss.com</p>			UNLESS OTHERWISE SPECIFIED: DIMENSIONS ARE IN MILLIMETERS		DO NOT SCALE DRAWING		REVISION: 0		
			FINISH: SMOOTH		TITLE: <b>GNL ASSY DRG FOR CNMB SERIES</b>				
DRAWN: L SUBKHANKULOVA		SIGNATURE: LS		DATE: 14/01/10		MATERIAL: UV94-V0 PC		DWG NO. <b>CNMB-4-2</b>	
CHK'D: STUART HARDINGE		SIGNATURE: SJH		DATE: 14/01/10		PROJECTION:		SCALE 1:1	
								SHEET 1 OF 1	