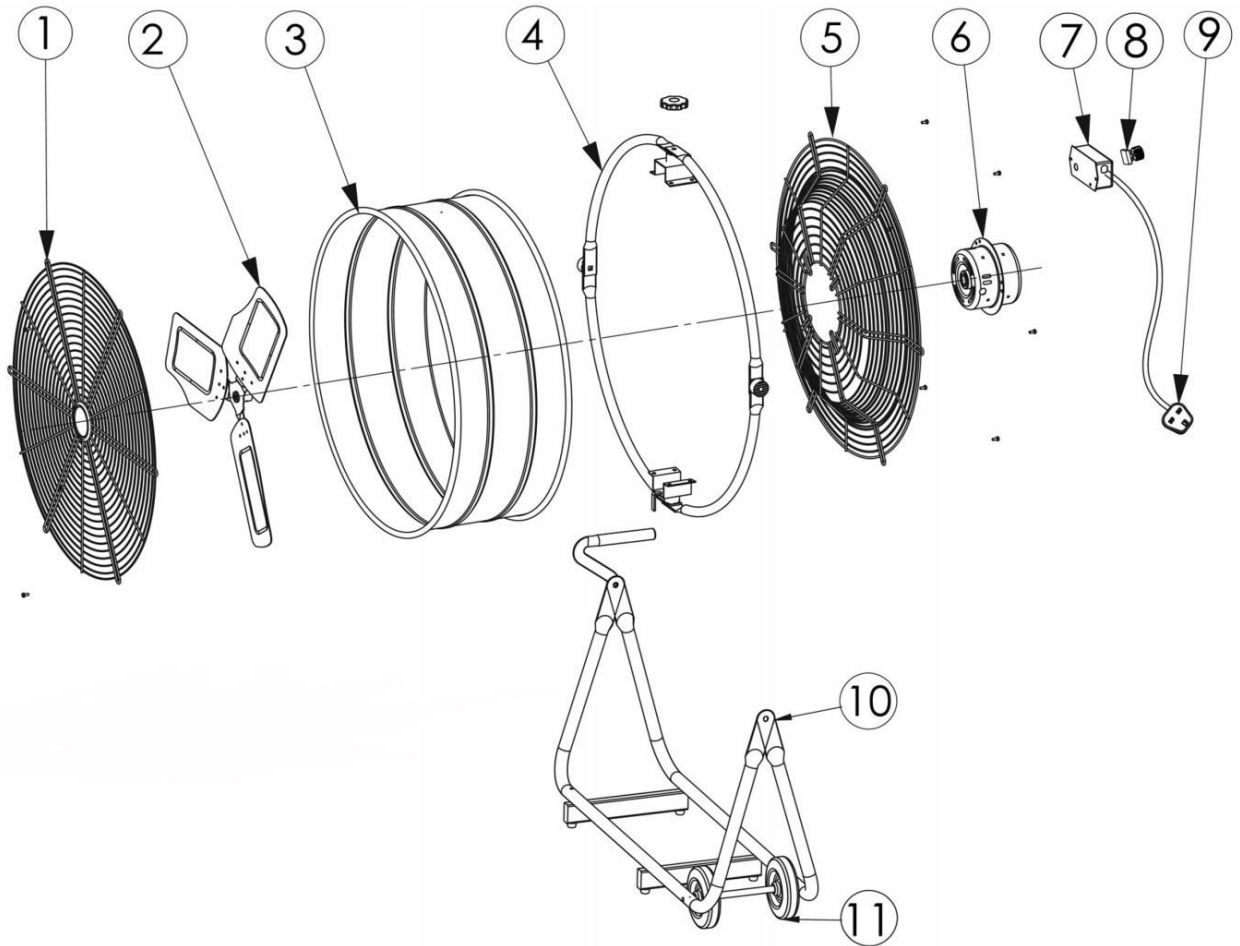


Parts Information:
Industrial High Velocity Orbital Drum Fan
30" 230V
Model No: HVF30S



Item	Part No.	Description
1	HVF30S.01	FRONT GUARD
2	HVF30S.02	FAN BLADE 30"
3	HVF30S.03	DRUM
4	HVF30S.04	ORBITAL RING
5	HVF30S.05	REAR GUARD
6	HVF30S.06	MOTOR

Item	Part No.	Description
7	HVF30S.07	SWITCH ASSEMBLY
8	HVF30S.08	SWITCH KNOB
9	HVF30S.09	POWER CORD
10	HVF30S.10	BASE
11	HVF30S.11	WHEEL, FIXED (125x15x32)
12	HVF30S.12	WHEEL AXLE

NOTE: It is our policy to continually improve products and as such we reserve the right to alter data, specifications and component parts without prior notice.

IMPORTANT: No liability is accepted for incorrect use of product.

WARRANTY: Guarantee is 12 months from purchase date, proof of which will be required for any claim.