



**Datenblatt - Fiche technique - Data sheet**

**12.03.3152**

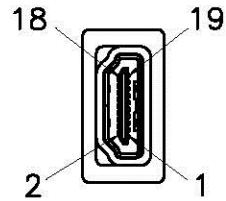


**ROLINE HDMI Adapter, HDMI BU – HDMI Mini ST,**

**ROLINE Adaptateur HDMI, HDMI F – HDMI Mini M,**

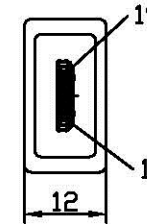
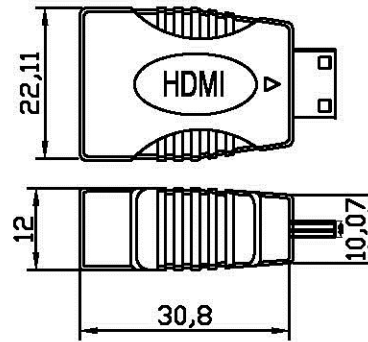
**ROLINE HDMI Adapter, HDMI F – HDMI Mini M,**

Shielded: Copper Foil Tape Cover Premold and 360 degree Solder to connector shell



Conn.1

HDMI A Female

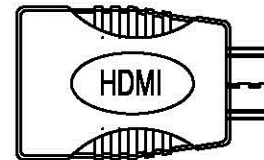


Conn.2

HDMI Mini Male  
(HDMI C Male)

Electrical Test:

1. 100%Test(Open, short ,miss wire)
2. Contact Resistance: 2 ohm max.
3. Insulation Resistance: 5M ohm min.



Pin Assignment

Conn.1	Conn.2	Conn.1	Conn.2
1	2	10	11
2	1	11	10
3	3	12	12
4	5	13	17
5	4	14	13
6	6	15	15
7	8	16	16
8	7	17	14
9	9	18	18
		19	19
		Shell	Shell

NO	DESCRIPTION	Q'TY	UNIT
3	First Outside Molding:45P PVC Black	15	g
2	Inside Molding:PE	3	g
1	HDMI Female to HDMI CM PCBA, Shell Gold Plated	1	pcs

REV.	DATE	CONTENTS OF CHANGE	DESIGNER	TOL±	Plc	Met	Ins	Por	Cab	Pac	Gas	DIS	APPROVAL	CHECK	DRAWING	DESIGN	DATE	
△				RANGE														2014-12-03
△				0~6	0.1	0.1	0.1	0.2	0.5	1	0.5	0.2						
△				6~30	0.1	0.1	.15	.25	1	1	0.5	.25						
△				30~80	0.1	.15	0.2	0.3	2	1.5	1	0.3						Item no.
△				80~180	.15	.15	.25	0.3	2	2	1	.45						12.03.3152
△				180~315	.15	0.2	0.3	0.4	2.5	2	1	0.6						Desc.
△				315~800	0.2	0.3	0.4	0.5	3	3	2	1.1						ROLINE Adapter HDMI A F - HDMI mini M, black

**rotronic**



SCALE 1:1 UNIT MM