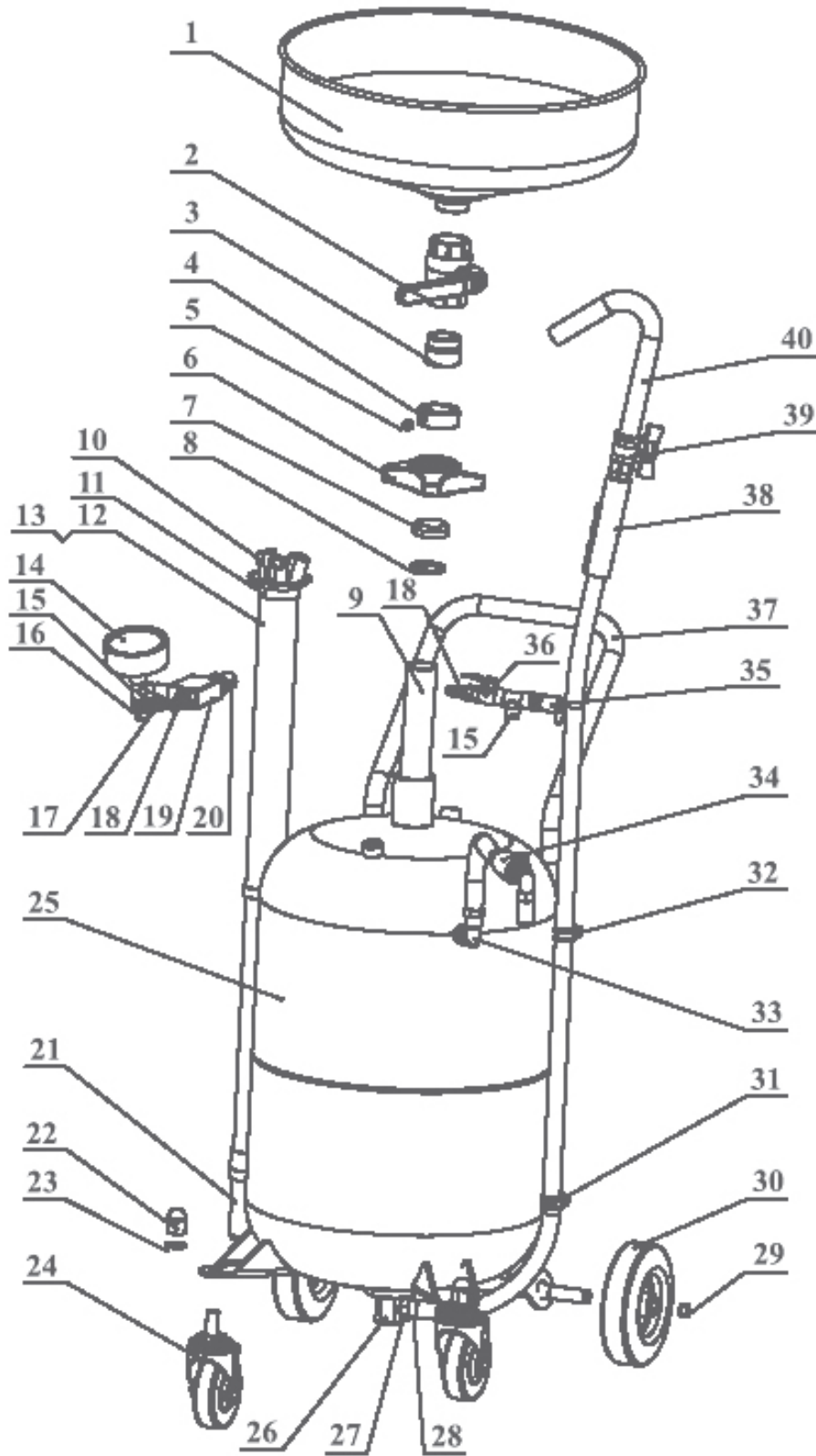


Parts Information:
Mobile Oil Drainer with Probes 35ltr
Air Discharge
Model No: AK456DX



NOTE: It is our policy to continually improve products and as such we reserve the right to alter data, specifications and component parts without prior notice.

IMPORTANT: No liability is accepted for incorrect use of product.

WARRANTY: Guarantee is 12 months from purchase date, proof of which will be required for any claim.



Parts Information:
**Mobile Oil Drainer with Probes 35ltr
Air Discharge
Model No: AK456DX**

Item	Part No.	Description
1	AK456DX.01	OIL COLLECTION BOWL
2	AK458DX.V4-08	BALL VALVE
3	AK456DX.03	CONNECTOR
4	AK456DX.04	TIGHTEN CLIP
5	AK456DX.05	GRUB SCREW M8*8
6	AK456DX.06	RED PLASTIC SURROUND
7	AK456DX.07	PLASTIC HOOP
8	AK456DX.08	SEALED RING
9	AK456DX.09	STEEL TUBE
10	AK456DX.10	PROBES (SET OF 3)
11	AK456DX.11	PROBE SEAT
12	AK456DX.12	PROBE CONTAINER
13	AK456DX.13	BOLT (ST4*10)
14	AK456DX.14	GAUGE -0.1mpa 50mm (OD), REAR MOUNTING
15	AK456DX.15	T-CONNECTOR 1/4"
16	AK456DX.16	CONNECTOR 1/4"
17	SA906	BALL VALVE LEVER 1/4"BSPT(M) x 1/4"BSP(F)
18	AK456DX.18	CONNECTOR
19	AK456DX.19	SUCTION PUMP
20	AK456DX.20	MUFFLER
21	AK456DX.21	PROBE CONTAINER SUPPORT

Item	Part No.	Description
22	SN12.S	STEEL NUT M12 ZINC DIN934(SINGLE)
23	AK456DX.23	WASHER (M12)
24	AK456DX.24	WHEEL,CASTOR,SINGLE BOLT FIXING (76x7x24x97)
25	AK456DX.25	TANK
26	AK456DX.26	CONNECTOR
27	AK456DX.27	CONNECTOR 3/8"
28	AK456DX.28	HOSE CLIP
29	AK456DX.29	CIRCLIP
30	AK456DX.30	WHEEL, FIXED (123x13x33)
31	AK456DX.31	HOSE CLIP
32	AK456DX.32	BOLT (M6*8)
33	AK456DX.33	ELBOW CONNECTOR
34	AK456DX.34	SUCTION HOSE
35	AK456DX.35	SAFETY VALVE
36	SA906	BALL VALVE LEVER 1/4"BSPT(M) x 1/4"BSP(F)
37	AK456DX.37	HANDLE
38	AK456DX.38	OUTLET PIPE
39	AK456DX.39	BALL VALVE 3/8
40	AK456DX.40	DELIVERY NOZZLE

NOTE: It is our policy to continually improve products and as such we reserve the right to alter data, specifications and component parts without prior notice.

IMPORTANT: No liability is accepted for incorrect use of product.

WARRANTY: Guarantee is 12 months from purchase date, proof of which will be required for any claim.

Sealey Group, Kempson Way, Suffolk Business Park, Bury St Edmunds, Suffolk. IP32 7AR



01284 757500



01284 703534



sales@sealey.co.uk



www.sealey.co.uk