

# A3131068

COM-KNOBS 31, without recess

Suitable for rotary potentiometer with round shaft ends according to DIN 41591. Collet system for convenient knob assembly from the front. Borehole without chamfer.

Max. torque: assembly = 1.8 Nm, function = 1.6 Nm.

## Supply

1 COM-KNOB (without recess)



## TECHNICAL DATA

Material	PA 6	Diameter	31 mm
Colour	volcano	Height	16 mm
Standards	RoHS compliant, REACH compliant	Bore hole	6 mm

Please take the dimensions from current parts. These are subject to material- and manufacturing-specific tolerances.

## PURCHASING DATA

Weight/1 part	8 g
Customs tariff number (OKW product)	84879090
Country of manufacture	Germany

## CUSTOMISING OPTIONS

What else do you need to create your own personal product? We can supply our enclosures and tuning knobs fully modified to suit your electronic components and design requirements. Please advise for anything else we can do for you.

# A3131068

COM-KNOBS 31, without recess

## Customising options for A3131068



Machining



Lacquering



Printing



Laser marking



Installation / Assembly  
of accessories

# A3131068

COM-KNOBS 31, without recess

## SYSTEM COMPONENTS TO COMPLETE



A3231003  
Cover 31  
PA 6  
coral



A3231004  
Cover 31  
PA 6  
beach



A3231005  
Cover 31  
PA 6  
lagoon



A3231006  
Cover 31  
PA 6  
sky



A3231007  
Cover 31  
PA 6  
mineral



A3231009  
Cover 31  
PA 6  
nero



A3231011  
Cover 31  
ABS (UL 94 HB)  
matt chromed

## ACCESSORY "SCREWS"



A6207009  
Round nut M7 x 0.75



A6210009  
Round nut M10 x 0.75



A6295009  
Round nut 3/8"-32G



A6300000  
Spanner

## ACCESSORY



A4431010  
Dial 31  
PC (UL 94 HB)  
transparent



A4431060  
Dial 31  
PC (UL 94 HB)  
transparent



A7331000  
Disk 31, without line  
ABS (UL 94 HB)  
black RAL 9005

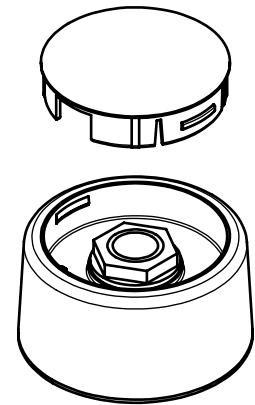
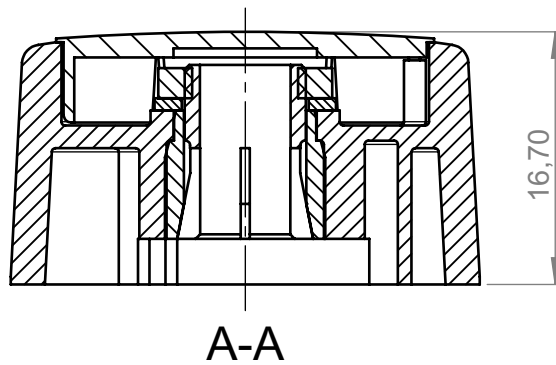
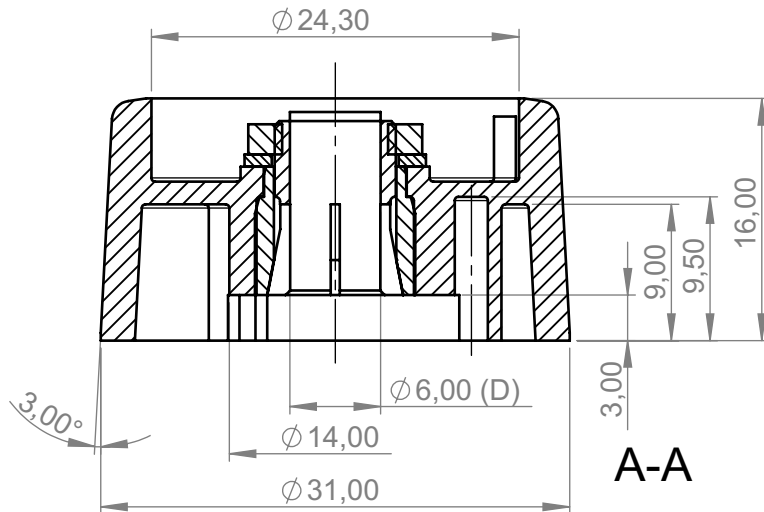
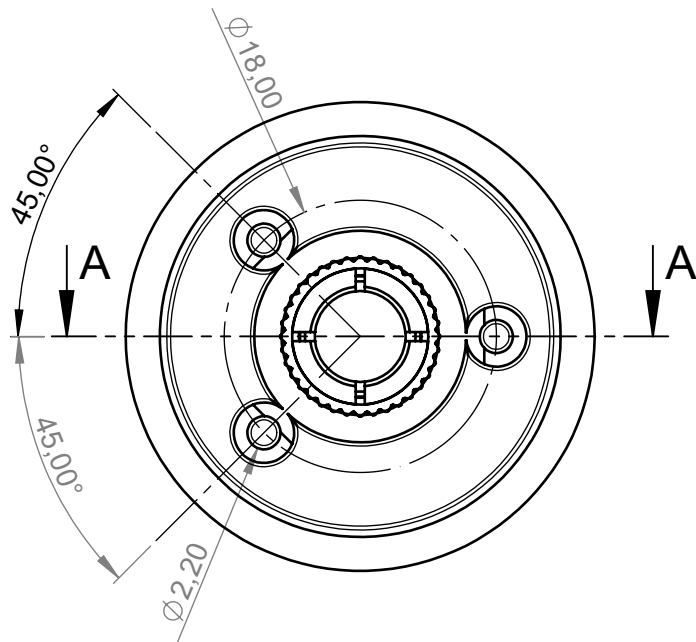


A7331010  
Disk 31, with line  
ABS (UL 94 HB)  
black RAL 9005

# A3131068

COM-KNOBS 31, without recess

Subject to technical modification without notice. © by OKW Gehäusesysteme, Buchen/Germany.



M 1:1

<b>Informationskopie</b> wird nicht aktualisiert <b>Copy for Information</b> will not be updated	Erst. am: 10.08.2012	Toleranzen:	Status:	 DIN 6 Teil 2
	Erst. von: D. Hasselbach	DIN 16901 T130	SERIEFREIGABE	
	Freig. am: 20.09.2013	Volumen:	Zeichnungsart:	
	Freig. von: D. Hasselbach		KUNDE	
Revision: 05	This document contains proprietary information of OKW Gehäusesysteme GmbH and is tendered subject to the conditions that the information be retained in confidence not be reproduced or copied and not be used or incorporated in any product.			
Technische Änderungen vorbehalten. Irrtümer oder Druckfehler begründen keinen Anspruch auf Schadenersatz. Wichtige Einbaumaße bitte direkt mit dem aktuellen Produkt abstimmen.  Subject to technical modification without prior notice. Typographical and other errors do not justify any claim for damages. All dimensions should be verified using an actual moulded part.  Sous reserve de modifications techniques. Toute erreur ou faute d'impression ne justifie aucune demande d'indemnisation. Nous prions les clients de verifier les dimensions des composants avec les boitiers avant le montage.		<b>COM-KNOBS 31</b> <b>Borehole ø6 mm, without chamfer</b>		
		<b>A313106*</b>		<b>M 2:1</b>
		Für dieses Dokument behalten wir uns alle Urheberrechte vor. Es darf auch auszugsweise weder vervielfältigt noch Dritten in irgendeiner Form zugänglich gemacht werden.		Dateiname: 00010208