

Product information
ASB 2-RKMVV/LED A 3-224 -
ASB 2-RKMVV/LED A 3-224/2M
43539

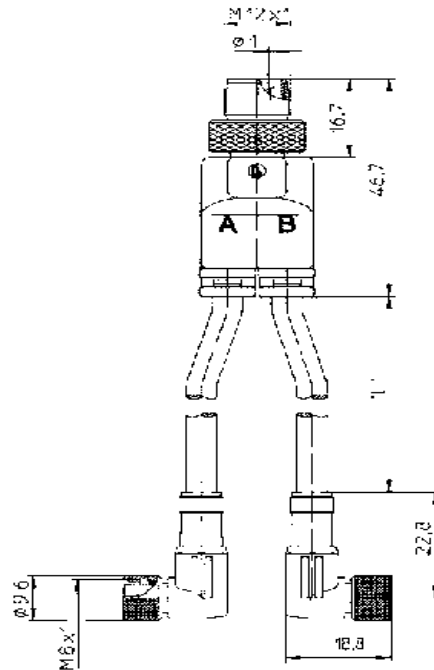
Name	
Name	ASB 2-RKMVV/LED A 3-224
	
	Actuator/sensor cordset, double-ended, M12 Duo male connector and two M8 female right angle connectors with LED operation and function indicator, self-locking threaded joint, 3 poles, PUR jacket, halogen free, black, 2 meters.
Delivery informations	
Availability	available
Product description	
Type	ASB 2-RKMVV/LED A 3-224/2 M
Order No.	43539
Description	Actuator/sensor cordset, double-ended, M12 Duo male connector and two M8 female right angle connectors with LED operation and function indicator, self-locking threaded joint, 3 poles, PUR jacket, halogen free, black, 2 meters.
Note	The application of these products in harsh environments should always be checked before use.
Number of contacts	3
Color of housing	orange
Color of Housing, side 2	black
Product characteristics	Oil resistance, Drag chains, Vibration resistance
Classification	
Belden brand	Lumberg-Automation
Mechanical data	
Type of plug-in contact	Male connector
Type of plug-in contact, side 2	Female connector
Design of housing	straight
Design of housing, side 2	angled
Thread	M12
Thread, side 2	M8
Design of electrical connection	screw connection
Design of electrical connection, side 2	screw connection
Coding of the M12 round plug connector	A
LED display present	✔
Environmental conditions	
Environmental temperature	-25 °C ... 80 °C
Degree of protection (IP), mounted	IP67
Pollution degree	3
Materials	
Housing material / Molded body	TPU
Housing material / Molded body, side 2	TPU
Contact bearer material	TPU
Contact bearer material, side 2	PA/TPU
Contact material	CuZn (M12)
Contact material - Surface refinement	pre-nickelated and 0.3 microns gold-plated
Contact material, side 2	CuZn (M8)
Contact material - Surface refinement, side 2	pre-nickelated and 0.3 microns gold-plated
Knurled screw / nut material	CuZn, nickel-plated

The information published has been compiled as carefully as possible. It is subject to alteration without notice in technical as well as in price related/commercial respect.

Sealing material	FKM (Female)
Electrical data	
Rated current In	4 A per cable / 4 A max. at 40°C
Nominal voltage	10 - 30 V DC
Rated voltage	32 V
Test voltage	1.5 kV eff./60 s
Insulation resistance	> 1 GΩ
Approvals	
Approvals	UL
Cable	
Cable length	2 m
Cable number	224
Cable description	Cable for sensors and actuators
Color of jacket	black
Material of outer jacket	PUR
Without halogens as in EN 50267-2-3	✓
shielded	✗
welding spark proof	✗
Outer diameter of the cable	4.3 mm
Number of conductors	3
Cable design	3 x 0.34 mm ²
Conductor design	43 x 0.10 mm
Flame resistant according to standard	yes

Picture

Drawing



The information published has been compiled as carefully as possible. It is subject to alteration without notice in technical as well as in price related/commercial respect.