

**MATERIAL**

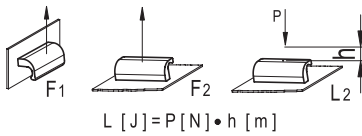
Glass-fibre reinforced polyamide based (PA) technopolymer, black colour, matte finish.

**STANDARD EXECUTION**

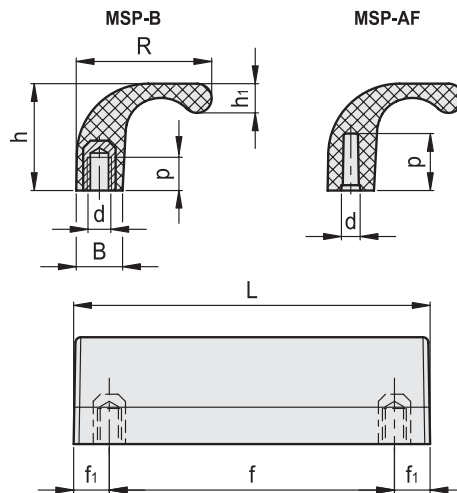
- **MSP-B**: brass boss, threaded blind hole. Fitting by means of no. 2 M6 screws, not included in the supply.
- **MSP-AF**: blind holes for fitting by means of no. 2 self-tapping screws for plastic materials Ø5 (UNI ISO 7049), not included in the supply.

**TECHNICAL DATA**

Tensile stress and impact strength: F1, F2 and L2 values reported in the table are the result of breaking tests, carried out with the appropriate dynamometric equipment, under the test conditions shown in the figure with ambient temperature.



ELESA Original design



Code	Description	L	f±0.5	d	f1	h	h1	B	R	p	F1 [N]	F2 [N]	L2 [J]	⚖️
43961	MSP.100-B M6	100	80	M6	10	30	8.7	13	38	12	3000	1900	10	54
43965	MSP.100-AF 4.8	100	80	4.5	10	30	8.7	13	38	14	700	900	7	47

- 1
- 2
- 3
- 4
- 5
- 6
- 7
- 8
- 9
- 10
- 11
- 12
- 13
- 14
- 15
- 16
- 17
- 18

Lift & Pull handles