

- 1
- 2
- 3
- 4
- 5
- 6
- 7
- 8
- 9
- 10
- 11
- 12
- 13
- 14
- 15
- 16
- 17
- 18

STANDARD EXECUTIONS

Filter made out of AISI 304 stainless steel mesh with glass-fibre reinforced polyamide based (PA) technopolymer profile.

- **GN 7403-AL:** aluminium body, glossy finish.
- **GN 7403-NI:** AISI 303 stainless steel body, glossy finish.

PACKING RING

NBR synthetic rubber.

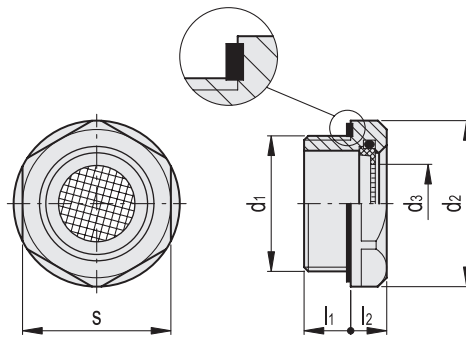
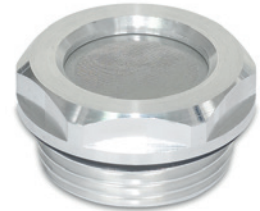
MAXIMUM CONTINUOUS WORKING TEMPERATURE

100°C.

FEATURES AND APPLICATIONS

GN 7403 breather filters are used on machinery and equipment to ensure the pressure balance between the internal and external environment, preventing dirt and dust particles exiting, depending on the size of the filter mesh used.

This protects the inside of sensitive devices and machinery parts from dirt and pollution, and also the external environment by the leakage of dust particles.



GN 7403-AL

Code	Description	d1	d2	d3	l1	l2	s	Mesh size [µm]	Δ
GN.41331	GN 7403-AL-M20x1.5-100	M20x1.5	26	10	8.5	7.5	23	100	7
GN.41335	GN 7403-AL-M20x1.5-500	M20x1.5	26	10	8.5	7.5	23	500	8
GN.41341	GN 7403-AL-M26x1.5-100	M26x1.5	32	14	9	8	30	100	14
GN.41345	GN 7403-AL-M26x1.5-500	M26x1.5	32	14	9	8	30	500	14
GN.41351	GN 7403-AL-M33x1.5-100	M33x1.5	40	20	11	8.5	36	100	22
GN.41355	GN 7403-AL-M33x1.5-500	M33x1.5	40	20	11	8.5	36	500	22
GN.41301	GN 7403-AL-G1/2-100	G 1/2	26	10	8.5	7.5	23	100	7
GN.41305	GN 7403-AL-G1/2-500	G 1/2	26	10	8.5	7.5	23	500	8
GN.41311	GN 7403-AL-G3/4-100	G 3/4	32	14	9	8	30	100	14
GN.41315	GN 7403-AL-G3/4-500	G 3/4	32	14	9	8	30	500	14
GN.41321	GN 7403-AL-G1-100	G 1	40	20	11	8.5	36	100	22
GN.41325	GN 7403-AL-G1-500	G 1	40	20	11	8.5	36	500	22

GN 7403-NI



Code	Description	Δ
GN.41332	GN 7403-NI-M20x1.5-100	20
GN.41336	GN 7403-NI-M20x1.5-500	20
GN.41342	GN 7403-NI-M26x1.5-100	37
GN.41346	GN 7403-NI-M26x1.5-500	37
GN.41352	GN 7403-NI-M33x1.5-100	63
GN.41356	GN 7403-NI-M33x1.5-500	63
GN.41302	GN 7403-NI-G1/2-100	20
GN.41306	GN 7403-NI-G1/2-500	20
GN.41312	GN 7403-NI-G3/4-100	37
GN.41316	GN 7403-NI-G3/4-500	37
GN.41322	GN 7403-NI-G1-100	63
GN.41326	GN 7403-NI-G1-500	63

Accessories for hydraulic systems