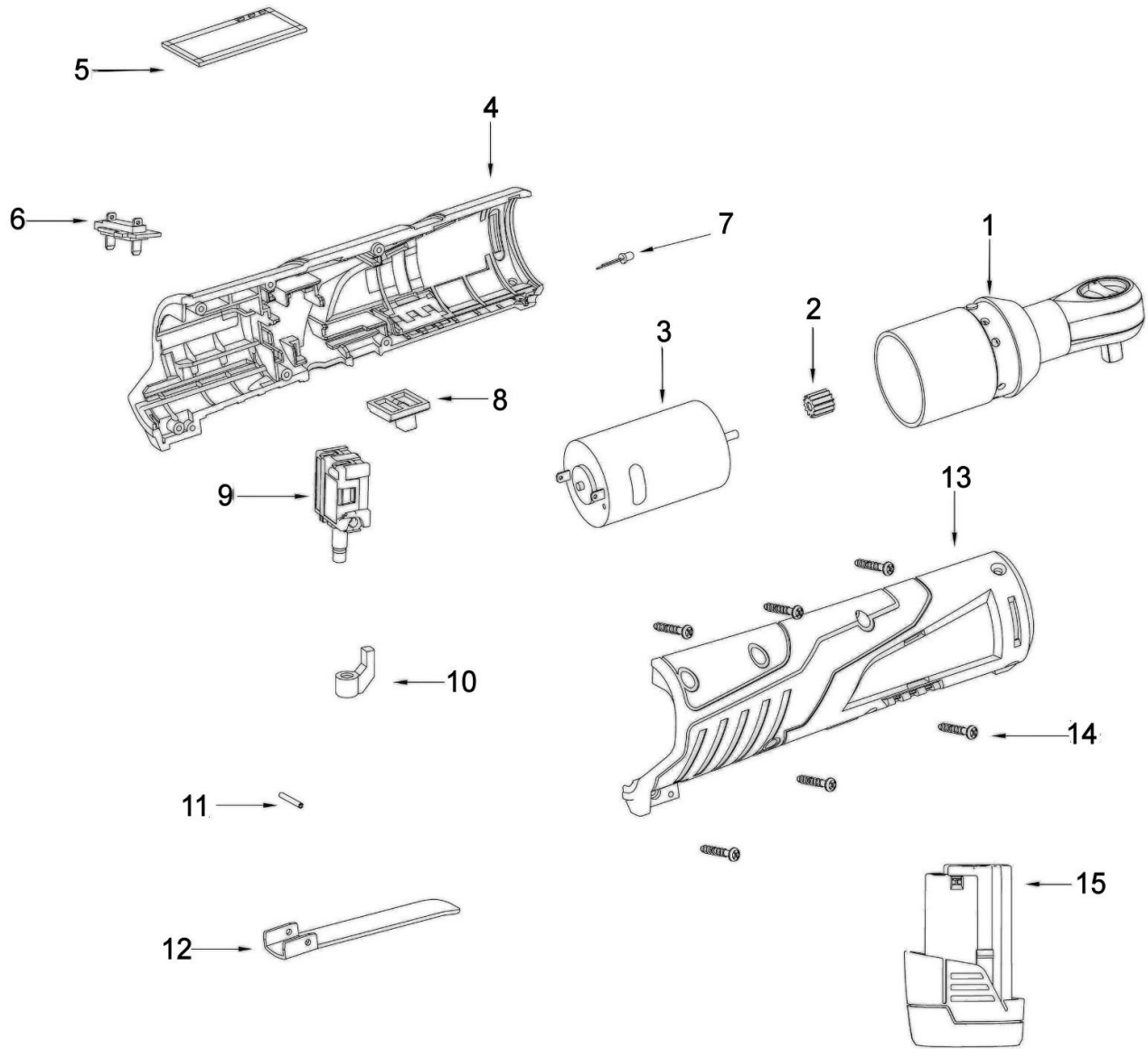




Parts Information:
Ratchet Wrench 12V 3/8" Sq Drive - Body Only
Model No: CP1202



Item	Part No.	Description
1	CP1202.01	GEARBOX ASS'Y
2	CP1202.02	MOTOR GEAR
3	CP1202.03	MOTOR
4	CP1202.04	CASING, LEFT SIDE
5	CP1202.05	PCB
6	CP1202.06	BATTERY CLIP
7	CP1202.07	LED
8	CP1202.08	SWITCH LOCK BUTTON
9	CP1202.09	SWITCH

Item	Part No.	Description
10	CP1202.10	SWITCH BUTTON
11	CP1202.11	PIN
12	CP1202.12	HANDLE LEVER
13	CP1202.13	CASING, RIGHT SIDE
14	CP1202.14	CASING SCREW
15	CP1200BP	C/LESS POWER TOOL BATTERY 12V
--	CP1200MC	LI-ION BATTERY CHARGER 12V 1 HOUR (NOT SHOWN)
--	CP1200CB	CANVAS BAG for CP1200 SERIES (NOT SHOWN)

NOTE: It is our policy to continually improve products and as such we reserve the right to alter data, specifications and component parts without prior notice.

IMPORTANT: No liability is accepted for incorrect use of product.

WARRANTY: Guarantee is 12 months from purchase date, proof of which will be required for any claim.

Sealey Group, Kempson Way, Suffolk Business Park, Bury St Edmunds, Suffolk. IP32 7AR



01284 757500



01284 703534



sales@sealey.co.uk



www.sealey.co.uk