

Product information

92 23 01

Titanium Tweezers



- Particularly suitable for precision tasks that require corrosion resistance, high strength and low weight
- The high-quality titanium alloy offers high temperature resistance and very good resistance to corrosion in air, sea and a variety of industrial environments at room temperature
- For cleaning or chemical processes, use at high temperatures and in biology, medicine or surgery
- 100 percent anti-magnetic
- Antibacterial
- Titanium

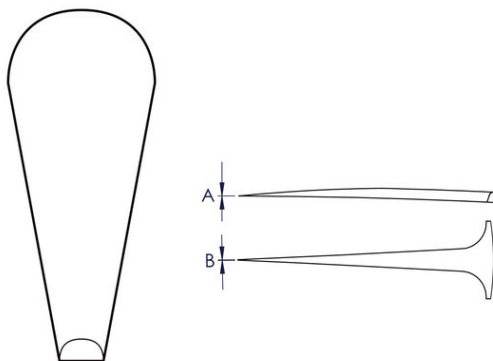


General

Article No.	92 23 01
Reference number	5.TA.0
EAN	4003773085010
Material	titanium
Gripping surfaces	smooth gripping surfaces
Weight	9 g
Dimensions	110 x 10 x 11 mm
REACH compliant	does not contain SVHC
RoHS compliant	not applicable

Technical details

Surface	matt finish
Finish	straight
Tips width (A)	0.09 mm
Tips width (B)	0.15 mm
Tweezers tip version	needle-point
Corrosion-resistant	yes
ESD-tested	no
VDE tested	no
Sectors	Industry electronics
Magnetic	non-magnetisable (100%)



technical change and errors excepted