

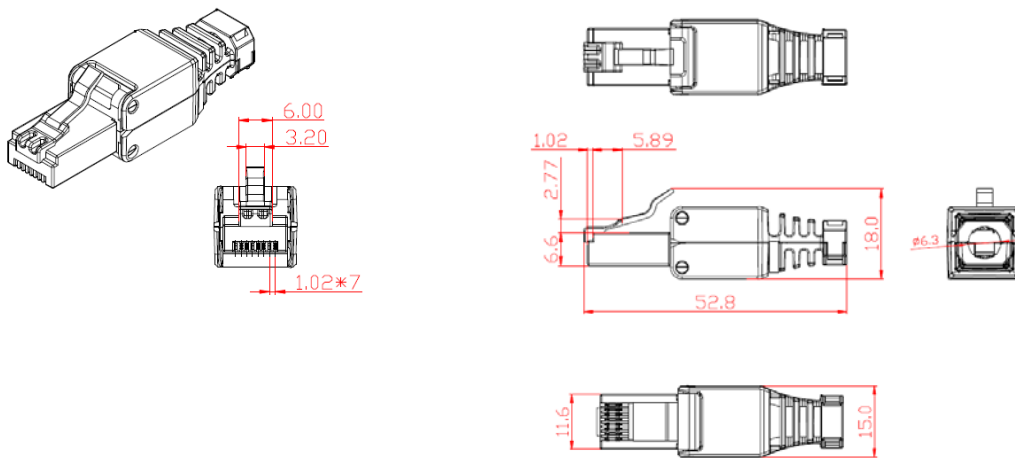
Datasheet

Item no. 1515263

V1_0717_01_en

UTP CAT6 Modular Plug

Item no. :1515263



Electrical:

Contact Resistance	Max. 20M Ω
Insulation Resistance	Min. 250M Ω @500DC
Withstand voltage.....	DC 1000V AC 700V RMS 60Hz, IMIN
CAT6 Permanent Link.....	Conform to ANST/ TIA/ EIA 568B. 2-10
Storage Temperature.....	-40°C to 70°C
Operation Temperature.....	-10°C to 60°C

Mechanical:

Plastic Material.....	PC
IDC Material	PC
Terminal	Phosphor Bronze, Tin Gold 3U"/6U"/ 15U"/ 30U"/ 50U"
RJ45 Contact Life.....	Min. 750 Times
IDC Life	Min. 750 Times

Type:

Unshielded CAT6 Toolless plug

This is a publication by Conrad Electronic SE, Klaus-Conrad-Str. 1, D-92240 Hirschau (www.conrad.com).
 All rights including translation reserved. Reproduction by any method, e.g. photocopy, microfilming, or the capture in electronic data processing systems require the prior written approval by the editor. Reprinting, also in part, is prohibited. This publication represents the technical status at the time of printing.

© Copyright 2017 by Conrad Electronic SE.