



70V - 60W DMOS AUDIO AMPLIFIER WITH MUTE/ST-BY

1 FEATURES

- MULTIPOWER BCD TECHNOLOGY
- VERY HIGH OPERATING VOLTAGE RANGE ($\pm 35V$)
- DMOS POWER STAGE
- HIGH OUTPUT POWER (UP TO 60W MUSIC POWER)
- MUTING/STAND-BY FUNCTIONS
- NO SWITCH ON/OFF NOISE
- NO BOUCHEROT CELLS
- VERY LOW DISTORTION
- VERY LOW NOISE
- SHORT CIRCUIT PROTECTION
- THERMAL SHUTDOWN

2 DESCRIPTION

The TDA7296 is a monolithic integrated circuit in Multiwatt15 package, intended for use as audio class AB amplifier in Hi-Fi field applications (Home Stereo, self powered loudspeakers, Topclass TV).

Figure 1. Package

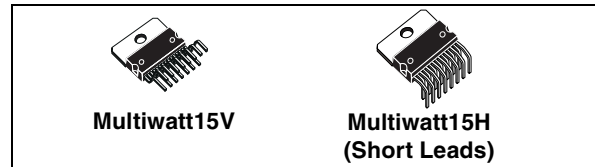


Table 1. Order Codes

Part Number	Package
TDA7296	Multiwatt15V
TDA7296HS	Multiwatt15H (Short Leads)

Thanks to the wide voltage range and to the high out current capability it is able to supply the highest power into both 4 Ω and 8 Ω loads even in presence of poor supply regulation, with high Supply Voltage Rejection.

The built in muting function with turn on delay simplifies the remote operation avoiding switching on-off noises.

Figure 2. Typical Application and Test Circuit

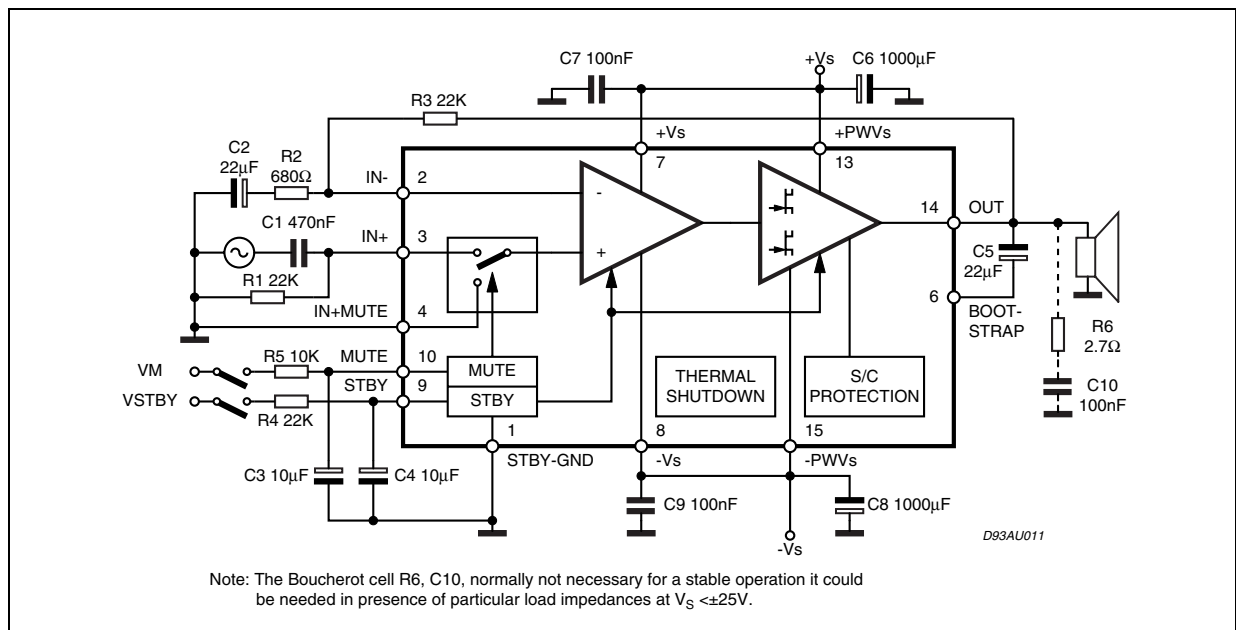


Figure 3. Pin Connection

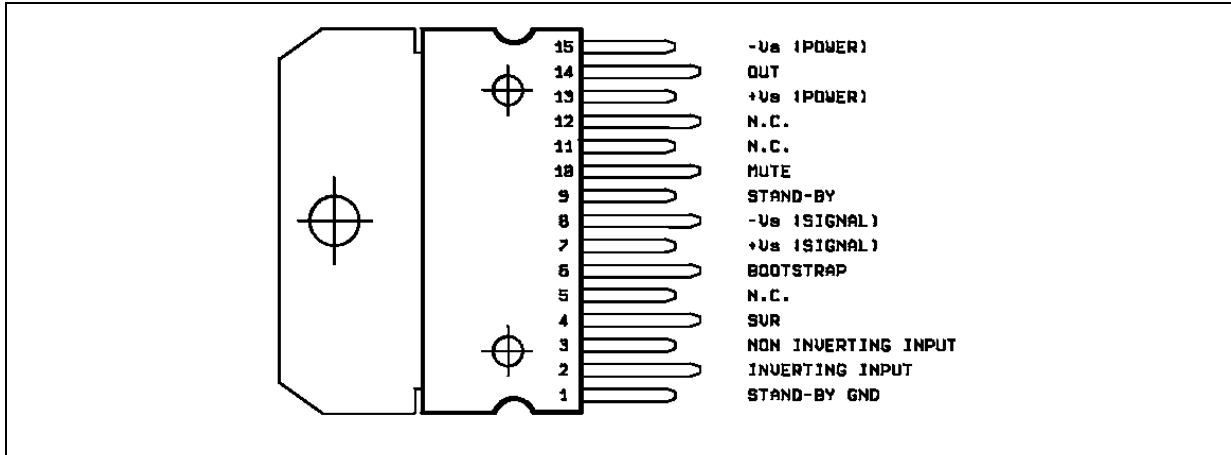


Table 2. Absolute Maximum Ratings

Symbol	Parameter	Value	Unit
V_S	Supply Voltage (No Signal)	± 35	V
I_O	Output Peak Current	5	A
P_{tot}	Power Dissipation $T_{case} = 70^\circ C$	50	W
T_{op}	Operating Ambient Temperature Range	0 to 70	$^\circ C$
T_{stg}, T_j	Storage and Junction Temperature	150	$^\circ C$

Table 3. Thermal Data

Symbol	Parameter	Typ.	Max	Unit
$R_{th\ j-case}$	Thermal Resistance Junction-case	1	1.5	$^\circ C/W$

Figure 4. Block Diagram

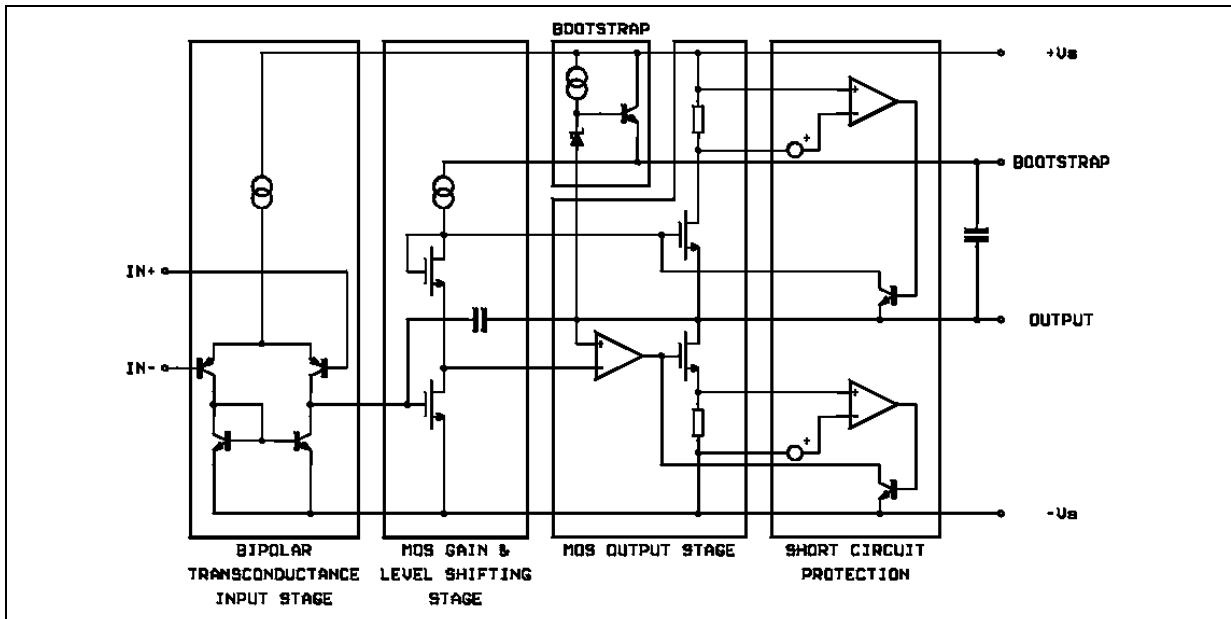


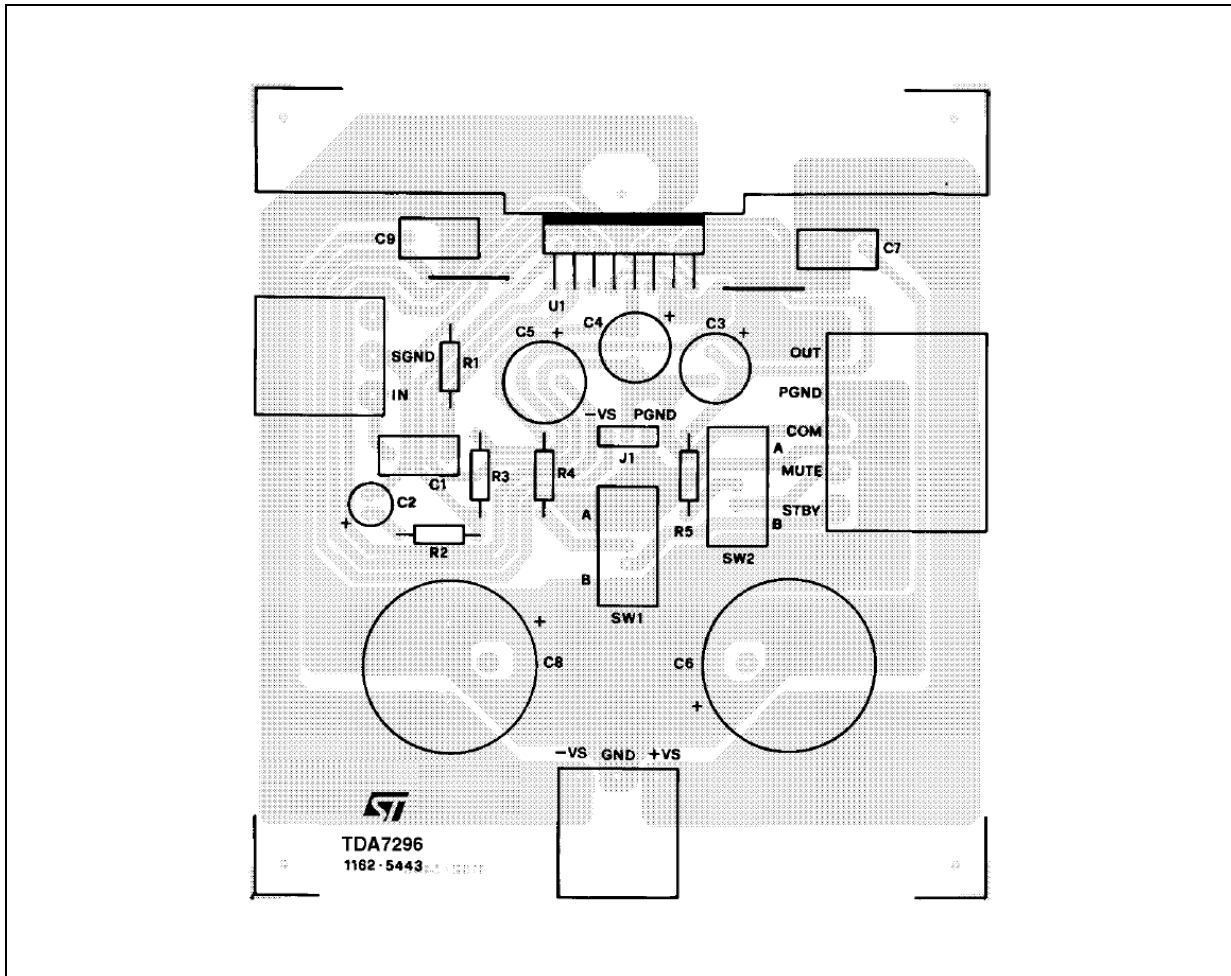
Table 4. Electrical Characteristics (Refer to the Test Circuit $V_S = \pm 24V$, $R_L = 8\Omega$, $G_V = 30dB$; $R_G = 50\Omega$; $T_{amb} = 25^\circ C$, $f = 1\text{ kHz}$; unless otherwise specified).

Symbol	Parameter	Test Condition	Min.	Typ.	Max.	Unit
V_S	Supply Range		± 10		± 35	V
I_q	Quiescent Current		20	30	65	mA
I_b	Input Bias Current				500	nA
V_{OS}	Input Offset Voltage		-10		10	mV
I_{OS}	Input Offset Current		-100		100	nA
P_O	RMS Continuous Output Power	$d = 05\%$ $V_S = \pm 24V$, $R_L = 8\Omega$; $V_S = \pm 21V$, $R_L = 6\Omega$; $V_S = \pm 18V$, $R_L = 4\Omega$;	27 27 27	30 30 30		W W W
	Music Power (RMS) $\Delta t = 1s$ (*)	$d = 10\%$ $V_S = \pm 29V$, $R_L = 8\Omega$; $V_S = \pm 24V$, $R_L = 6\Omega$; $V_S = \pm 22V$, $R_L = 4\Omega$;		60 60 60		W W W
d	Total Harmonic Distortion (**)	$P_O = 5W$; $f = 1kHz$ $P_O = 0.1$ to $20W$; $f = 20Hz$ to $20kHz$		0.005	0.1	%
		$V_S = \pm 18V$, $R_L = 4\Omega$; $P_O = 5W$; $f = 1kHz$ $P_O = 0.1$ to $20W$; $f = 20Hz$ to $20kHz$		0.01	0.1	% %
SR	Slew Rate		7	10		V/ μs
G_V	Open Loop Voltage Gain			80		dB
G_V	Closed Loop Voltage Gain (1)		24	30	40	dB
e_N	Total Input Noise	A = curve		1		μV
		$f = 20Hz$ to $20kHz$		2	5	μV
f_L, f_H	frequency response (-3dB)	$P_O = 1W$	20Hz to 20kHz			
R_i	Input Resistance		100			k Ω
SVR	Supply Voltage Rejection	$f = 100Hz$; $V_{ripple} = 0.5V_{rms}$	60	75		dB
T_S	Thermal Shutdown			145		$^\circ C$
STAND-BY FUNCTION (Ref: -Vs or GND)						
$V_{ST\ on}$	Stand-by on Threshold				1.5	V
$V_{ST\ off}$	Stand-by off Threshold		3.5			V
ATT_{st-by}	Stand-by Attenuation		70	90		dB
$I_{q\ st-by}$	Quiescent Current @ Stand-by			1	3	mA
MUTE FUNCTION (Ref: -Vs ro GND)						
V_{Mon}	Mute on Threshold				1.5	V
V_{Moff}	Mute off Threshold		3.5			V
ATT_{mute}	Mute Attenuation		60	80		dB

Note (*): MUSIC POWER is the maximal power which the amplifier is capable of producing across the rated load resistance (regardless of non linearity) 1 sec after the application of a sinusoidal input signal of frequency 1KHz.

Note (**): Tested with optimized Application Board (see fig.5)

Figure 5. P.C.B. and Components Layout of the Circuit of figure 2.



Note:
 The Stand-by and Mute functions can be referred either to GND or -VS.
 On the P.C.B. is possible to set both the configuration through the jumper J1.

3 APPLICATION SUGGESTIONS

(see Test and Application Circuits of the Fig. 2)

The recommended values of the external components are those shown on the application circuit of Figure 2. Different values can be used; the following table can help the designer.

COMPONENTS	SUGGESTED VALUE	PURPOSE	LARGER THAN SUGGESTED	SMALLER THAN SUGGESTED
R1 (*)	22k	Input Resistance	Increase Input Impedance	Decrease Input Impedance
R2	680Ω	Closed Loop Gain Set to 30db (**)	Decrease of Gain	Increase of Gain
R3 (*)	22k		Increase of Gain	Decrease of Gain
R4	22k	St-by Time Constant	Larger St-by ON/OFF Time	Smaller St-by ON/OFF Time; Pop Noise
R5	10k	Mute Time Constant	Larger Mute ON/OFF Time	Smaller Mute ON/OFF Time
C1	0.47μF	Input DC Decoupling		Higher Low Frequency Cutoff
C2	22μF	Feedback DC Decoupling		Higher Low Frequency Cutoff
C3	10μF	Mute Time Constant	Larger Mute ON/OFF Time	Smaller Mute ON/OFF Time
C4	10μF	St-by Time Constant	Larger St-by ON/OFF Time	Smaller St-by ON/OFF Time; Pop Noise
C5	22μF	Bootstrapping		Signal Degradation at Low Frequency
C6, C8	1000μF	Supply Voltage Bypass		Danger of Oscillation
C7, C9	0.1μF	Supply Voltage Bypass		Danger of Oscillation

(*) R1 = R3 for pop optimization

(**) Closed Loop Gain has to be ≥ 24 dB

4 TYPICAL CHARACTERISTICS

(Application Circuit of fig 2 unless otherwise specified)

Figure 6. : Output Power vs. Supply Voltage.

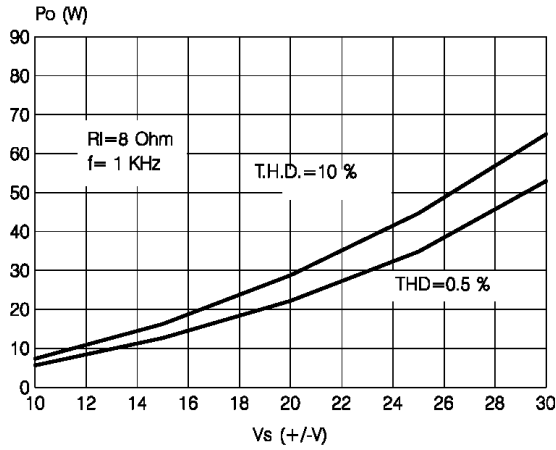


Figure 9. Distortion vs. Output Power

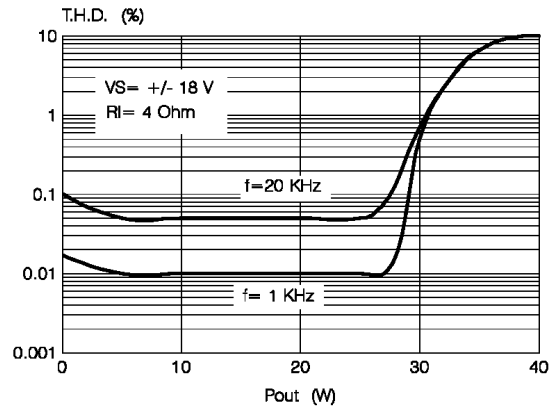


Figure 7. Distortion vs. Output Power

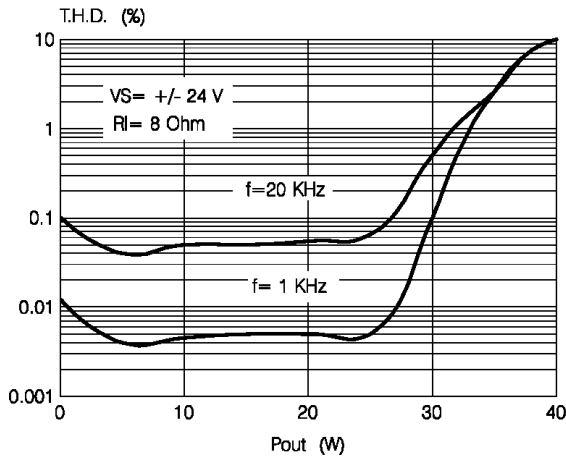


Figure 10. Distortion vs. Frequency

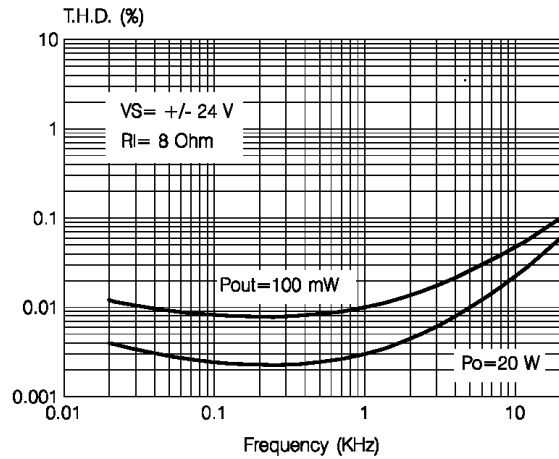


Figure 8. Output Power vs. Supply Voltage

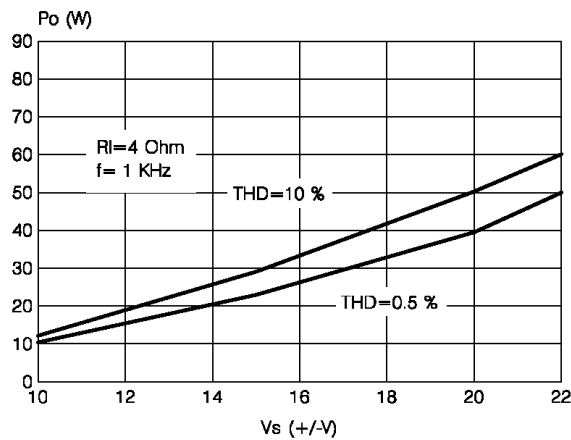


Figure 11. Distortion vs. Frequency

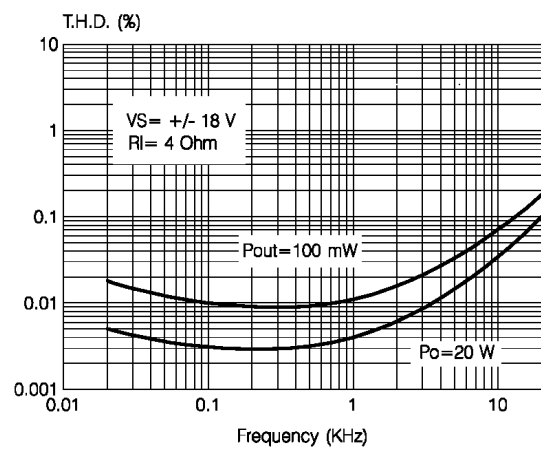


Figure 12. Quiescent Current vs. Supply Voltage

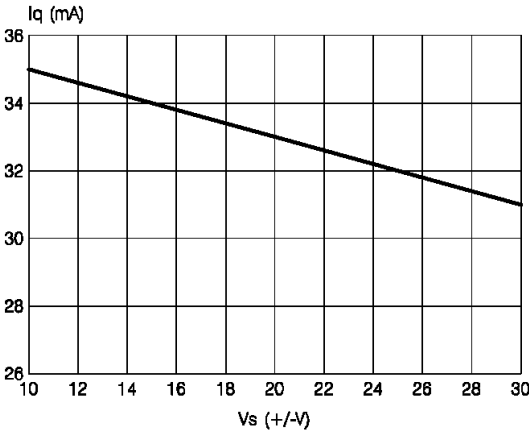


Figure 15. St-by Attenuation vs. V_{pin9}

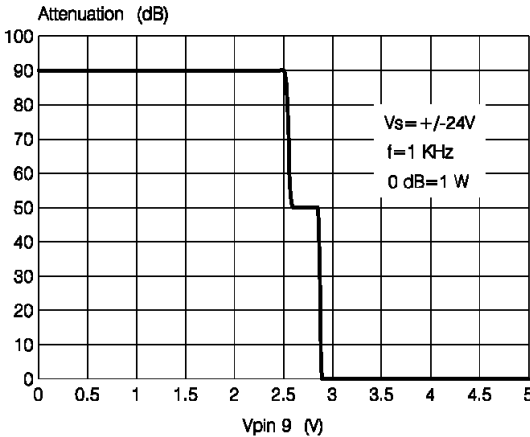


Figure 13. Supply Voltage Rejection vs. Frequency

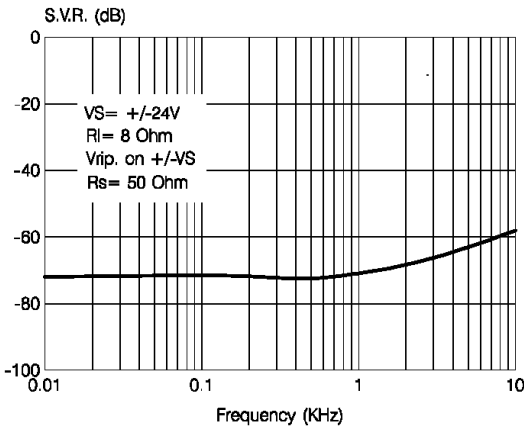


Figure 16. Power Dissipation vs. Output Power

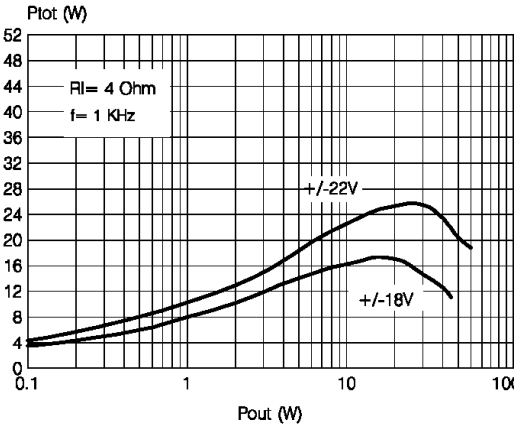


Figure 14. Mute Attenuation vs. V_{pin10}

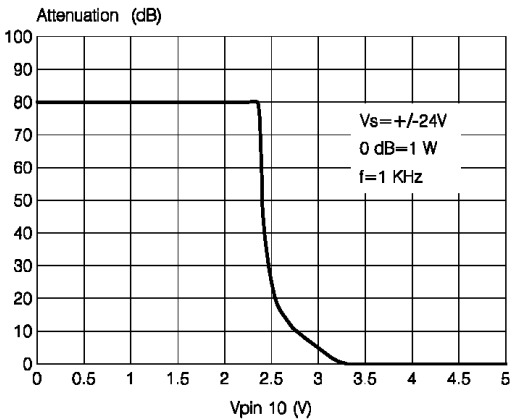
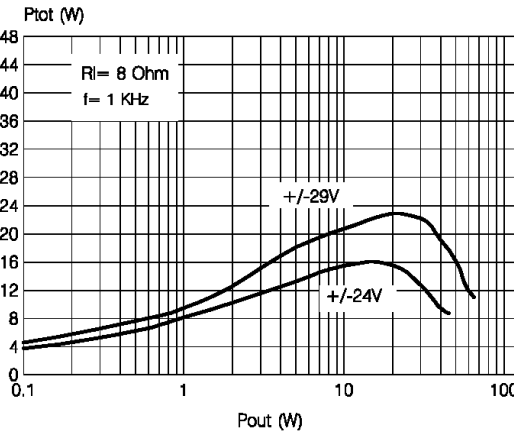


Figure 17. Power Dissipation vs. Output Power



5 INTRODUCTION

In consumer electronics, an increasing demand has arisen for very high power monolithic audio amplifiers able to match, with a low cost the performance obtained from the best discrete designs.

The task of realizing this linear integrated circuit in conventional bipolar technology is made extremely difficult by the occurrence of 2nd breakdown phenomenon. It limits the safe operating area (SOA) of the power devices, and as a consequence, the maximum attainable output power, especially in presence of highly reactive loads. Moreover, full exploitation of the SOA translates into a substantial increase in circuit and layout complexity due to the need for sophisticated protection circuits.

To overcome these substantial drawbacks, the use of power MOS devices, which are immune from secondary breakdown is highly desirable. The device described has therefore been developed in a mixed bipolar-MOS high voltage technology called BCD 80.

5.1 Output Stage

The main design task one is confronted with while developing an integrated circuit as a power operational amplifier, independently of the technology used, is that of realising the output stage. The solution shown as a principle schematic by Fig 18 represents the DMOS unity-gain output buffer of the TDA7296.

This large-signal, high-power buffer must be capable of handling extremely high current and voltage levels while maintaining acceptably low harmonic distortion and good behaviour over frequency response; moreover, an accurate control of quiescent current is required.

A local linearizing feedback, provided by differential amplifier A, is used to fulfill the above requirements, allowing a simple and effective quiescent current setting. Proper biasing of the power output transistors alone is however not enough to guarantee the absence of crossover distortion. While a linearization of the DC transfer characteristic of the stage is obtained, the dynamic behaviour of the system must be taken into account.

A significant aid in keeping the distortion contributed by the final stage as low as possible is provided by the compensation scheme, which exploits the direct connection of the Miller capacitor at the amplifier's output to introduce a local AC feedback path enclosing the output stage itself.

5.2 Protections

In designing a power IC, particular attention must be reserved to the circuits devoted to protection of the device from short circuit or overload conditions.

Due to the absence of the 2nd breakdown phenomenon, the SOA of the power DMOS transistors is delimited only by a maximum dissipation curve dependent on the duration of the applied stimulus.

In order to fully exploit the capabilities of the power transistors, the protection scheme implemented in this device combines a conventional SOA protection circuit with a novel local temperature sensing technique which "dynamically" controls the maximum dissipation.

Figure 18. Principle Schematic of a DMOS Unity-gain Buffer.

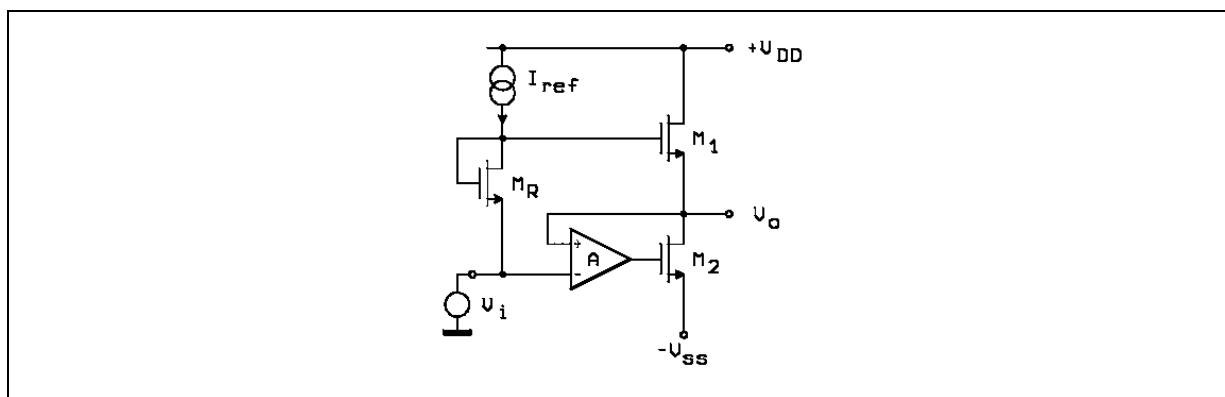
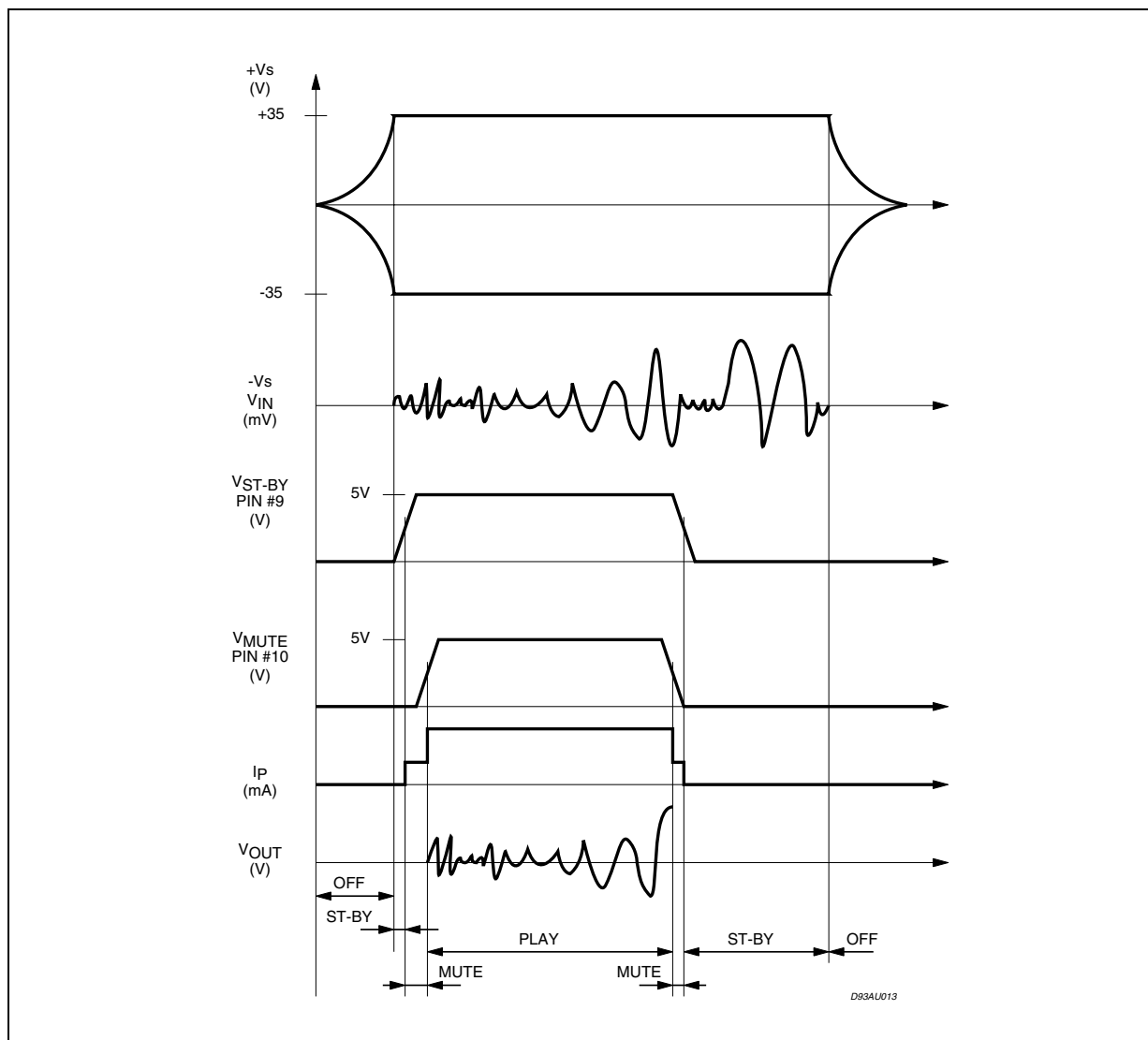


Figure 19. Turn ON/OFF Suggested Sequence



In addition to the overload protection described above, the device features a thermal shutdown circuit which initially puts the device into a muting state ($T_j = 145^\circ\text{C}$) and then into stand-by ($T_j = 150^\circ\text{C}$). Full protection against electrostatic discharges on every pin is included.

5.3 Other Features

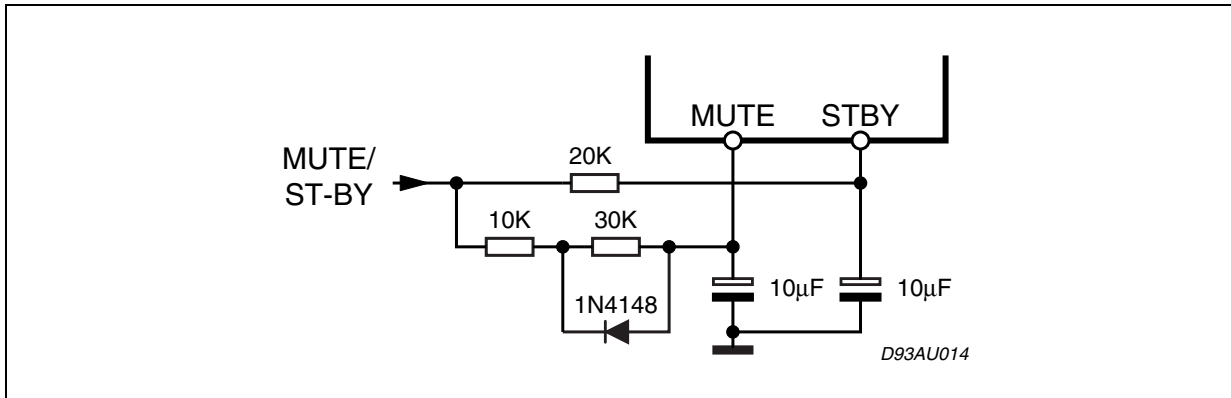
The device is provided with both stand-by and mute functions, independently driven by two CMOS logic compatible input pins.

The circuits dedicated to the switching on and off of the amplifier have been carefully optimized to avoid any kind of uncontrolled audible transient at the output.

The sequence that we recommend during the ON/OFF transients is shown by Figure 19.

The application of figure 20 shows the possibility of using only one command for both st-by and mute functions. On both the pins, the maximum applicable range corresponds to the operating supply voltage.

Figure 20. Single Signal ST-BY/MUTE Control Circuit



6 BRIDGE APPLICATION

Another application suggestion is the BRIDGE configuration, where two TDA7296 are used, as shown by the schematic diagram.

In this application, the value of the load must not be lower than 8 Ohm for dissipation and current capability reasons. A suitable field of application includes HI-FI/TV subwoofers realizations. The main advantages offered by this solution are:

- High power performances with limited supply voltage level.
- Considerably high output power even with high load values (i.e. 16 Ohm).

The characteristics shown by figures 23 and 24, measured with loads respectively 8 Ohm and 16 Ohm. With $R_L = 8 \text{ Ohm}$, $V_S = \pm 18V$ the maximum output power obtainable is 60W, while with $R_L = 16 \text{ Ohm}$, $V_S = \pm 24V$ the maximum Pout is 60W.

Figure 21. Bridge Application Circuit

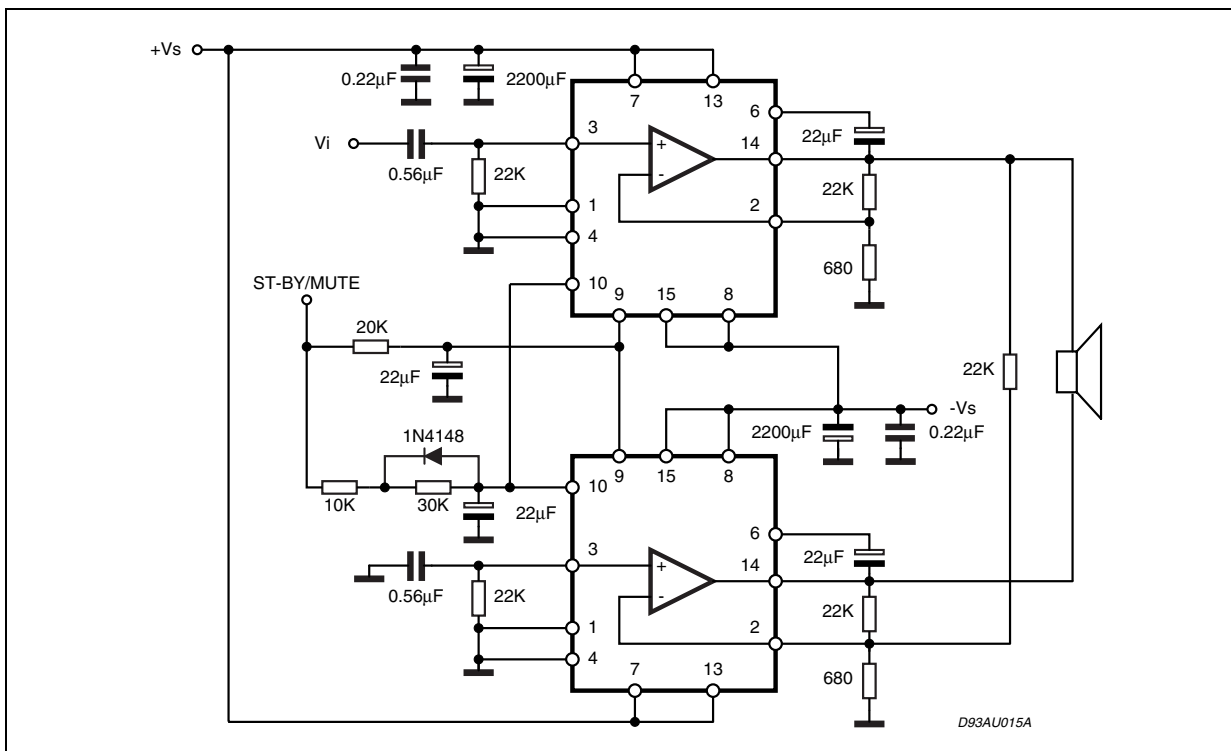


Figure 22. Frequency Response of the Bridge Application

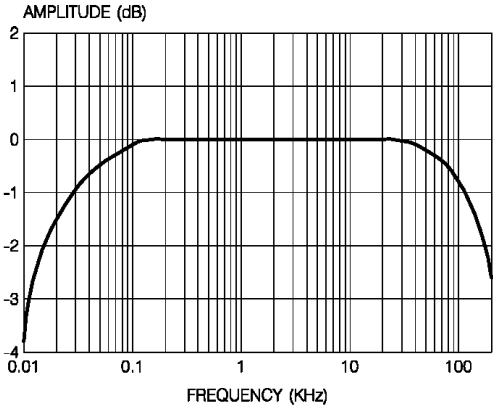


Figure 24. Distortion vs. Output Power

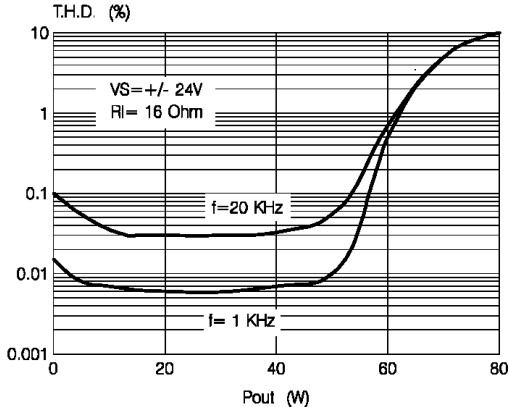


Figure 23. Distortion vs. Output Power

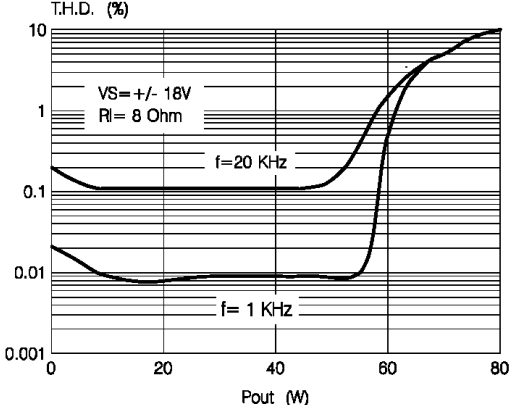
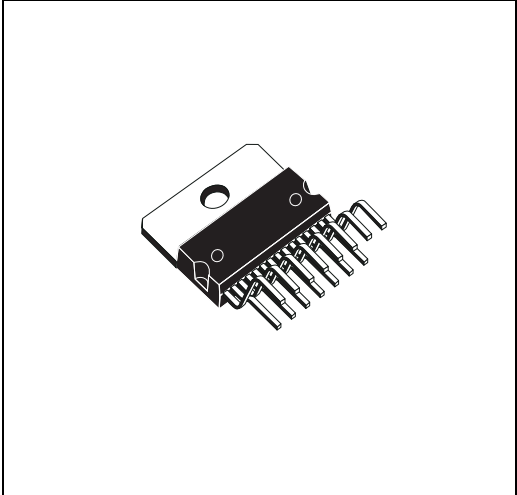


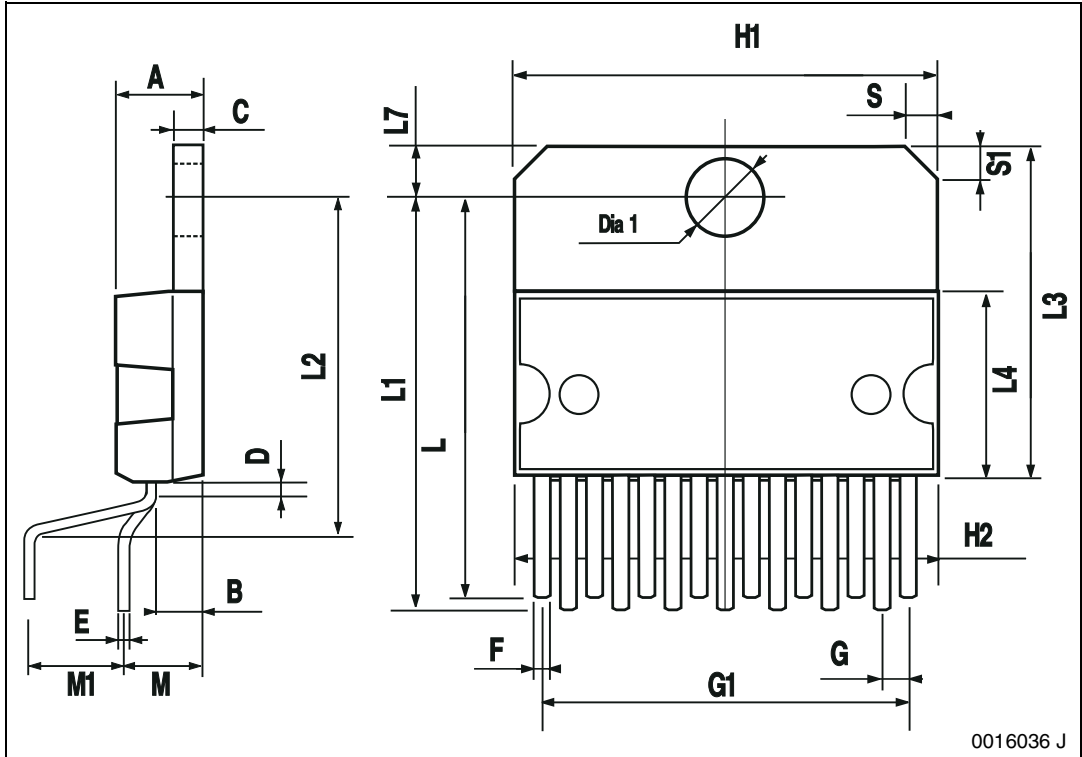
Figure 25. Multiwatt15V Mechanical Data & Package Dimensions

DIM.	mm			inch		
	MIN.	TYP.	MAX.	MIN.	TYP.	MAX.
A5						0.197
B			2.65			0.104
C			1.6			0.063
D		1			0.039	
E	0.49		0.55	0.019		0.022
F	0.66		0.75	0.026		0.030
G	1.02	1.27	1.52	0.040	0.050	0.060
G1	17.53	17.78	18.03	0.690	0.700	0.710
H1	19.6			0.772		
H2			20.2			0.795
L	21.9	22.2	22.5	0.862	0.874	0.886
L1	21.7	22.1	22.5	0.854	0.87	0.886
L2	17.65		18.1	0.695		0.713
L3	17.25	17.5	17.75	0.679	0.689	0.699
L4	10.3	10.7	10.9	0.406	0.421	0.429
L7	2.65		2.9	0.104		0.114
M	4.25	4.55	4.85	0.167	0.179	0.191
M1	4.73	5.08	5.43	0.186	0.200	0.214
S	1.9		2.6	0.075		0.102
S1	1.9		2.6	0.075		0.102
Dia1	3.65		3.85	0.144		0.152

OUTLINE AND MECHANICAL DATA



Multiwatt15 (Vertical)



0016036 J



Figure 26. Multiwatt15 Horizontal (Short leads) Mechanical Data & Package Dimensions

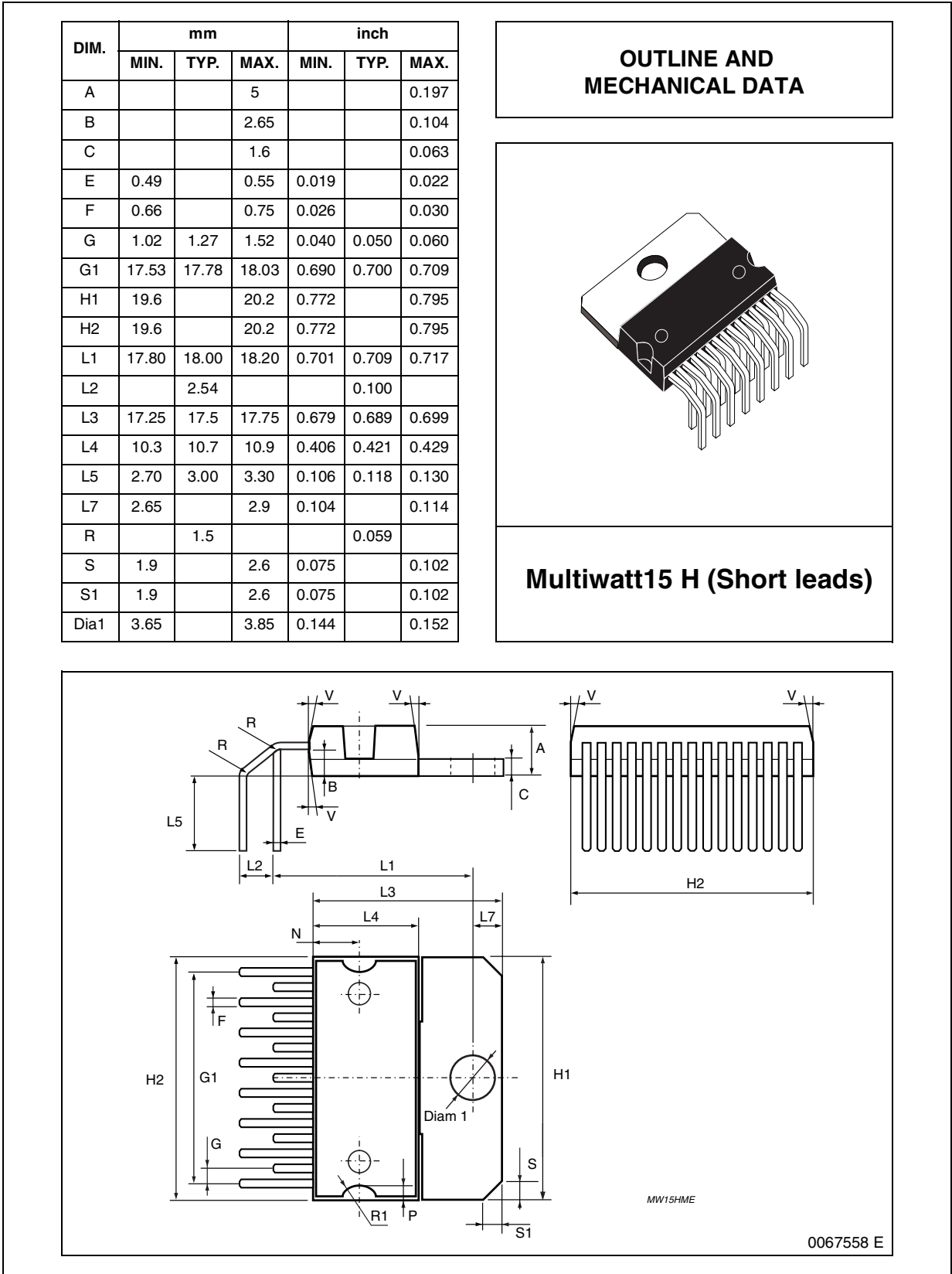


Table 5. Revision History

Date	Revision	Description of Changes
January 2004	8	First Issue in EDOCS DMS
September 2004	9	Added Package Multiwatt15 Horizontal (Short leads)
February 2005	10	Corrected mistyping error in Table 2.

Information furnished is believed to be accurate and reliable. However, STMicroelectronics assumes no responsibility for the consequences of use of such information nor for any infringement of patents or other rights of third parties which may result from its use. No license is granted by implication or otherwise under any patent or patent rights of STMicroelectronics. Specifications mentioned in this publication are subject to change without notice. This publication supersedes and replaces all information previously supplied. STMicroelectronics products are not authorized for use as critical components in life support devices or systems without express written approval of STMicroelectronics.

The ST logo is a registered trademark of STMicroelectronics.
All other names are the property of their respective owners

© 2005 STMicroelectronics - All rights reserved

STMicroelectronics group of companies

Australia - Belgium - Brazil - Canada - China - Czech Republic - Finland - France - Germany - Hong Kong - India - Israel - Italy - Japan -
Malaysia - Malta - Morocco - Singapore - Spain - Sweden - Switzerland - United Kingdom - United States of America

www.st.com

