

Type: **NHI-E-10-PKZO**

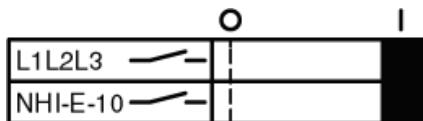
Article No.: **082884**



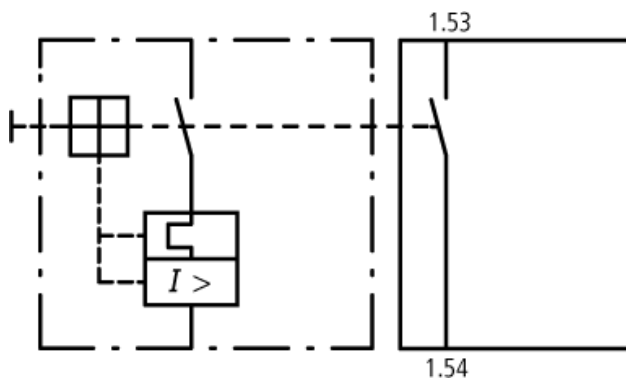
### Ordering information

Contacts M = Make			1 M
Connection technique			Screw terminals
For use with			PKZM01 PKZM0 PKZM4 PKZM0-T PKM0

### Contact diagram



### Contact sequence

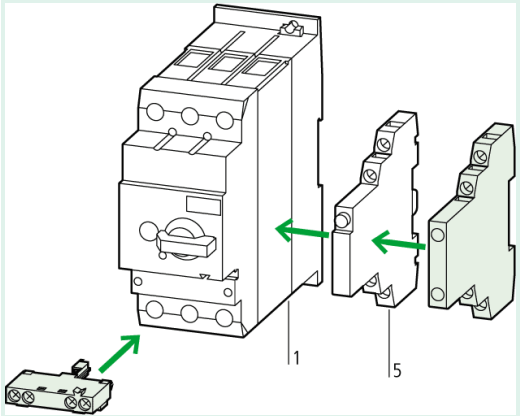
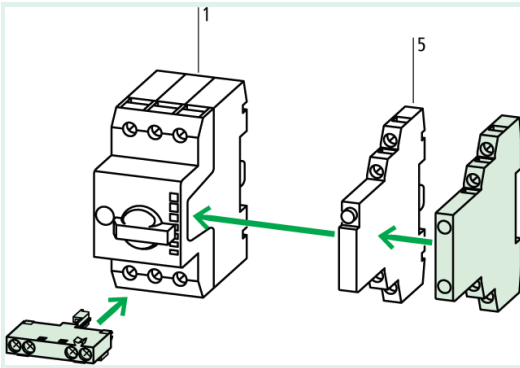


### Note concerning the product

Can be fitted to motor-protective circuit-breakers, transformer-protective circuit-breakers, motor-protective circuit-breakers for starter combinations from Serial No. 01.

The 45 mm (PKZM0) or 55 mm (PKZM4) widths of the motor-protective circuit-breakers remain unchanged.

### Notes concerning the product group



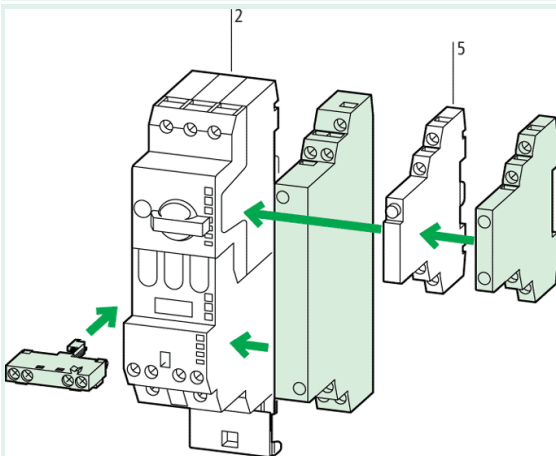
*Accessories*

1 Motor-protective circuit-breaker

5 Trip-indicating auxiliary contact

Other accessories

*Page*

*Accessories*

2 Compact starter, high-capacity compact starter

5 Trip-indicating auxiliary contact

Other accessories

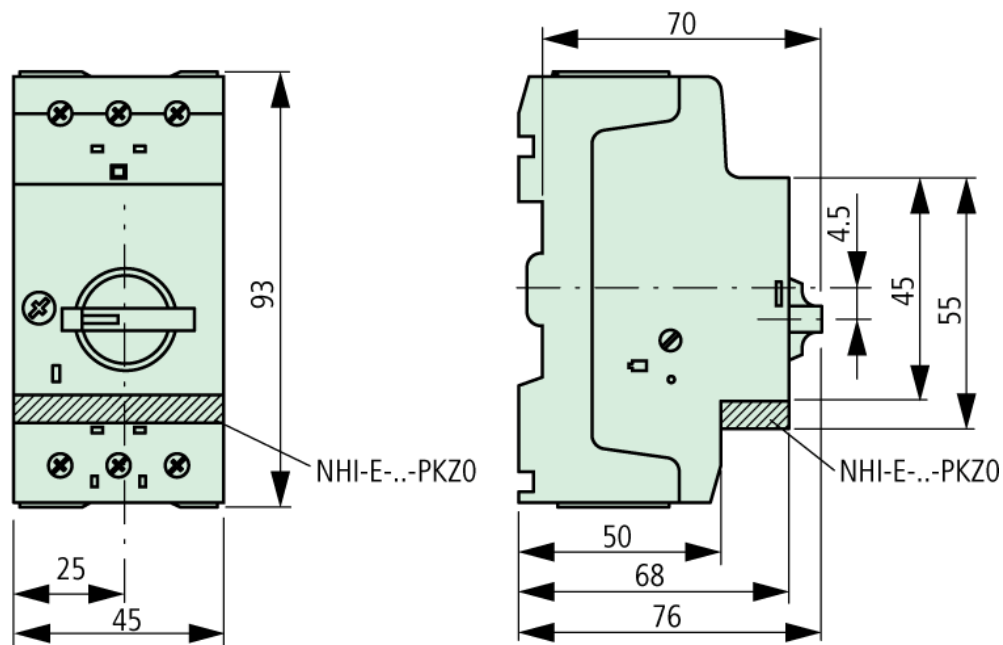
*Page*


**Auxiliary contacts**

Rated impulse withstand voltage	$U_{imp}$	V AC	4000
Overvoltage category/pollution degree			III/3

Rated operational voltage			
Rated operational voltage	$U_e$	V AC	400
	$U_e$	V DC	250
Safe isolation to VDE 0106 Part 101 and Part 101/A1			
Between auxiliary contacts and main contacts		V AC	690
Rated operational current			
AC-15			
220 – 240 V	$I_e$	A	1
DC-13 L/R f 100 ms			
60 V	$I_e$	A	1
110 V	$I_e$	A	0,5
Lifespan			
Lifespan, mechanical	Operations	$\times 10^6$	> 0,1
Lifespan, electrical	Operations	$\times 10^6$	0,1
Control circuit reliability (at $U_e = 24$ V DC, $U_{min} = 17$ V, $I_{min} = 5.4$ mA)	Failure rate	»	$< 10^{-8} < 1$ failure at $1 \times 10^8$ operations
Short-circuit rating without welding			
Fuse		A gG/gL	10
<b>Terminal capacities</b>			
Solid or flexible conductor with ferrule		mm <sup>2</sup>	0.75 – 1.5
Solid or stranded		AWG	18 – 16
<b>Dimensions</b>			
			PKZM0-...(+NHI-E-...-PKZ0)

## Dimensions



Moeller GmbH, Hein-Moeller-Str. 7-11, D-53115 Bonn  
E-Mail: [catalog@moeller.net](mailto:catalog@moeller.net), Internet: [www.moeller.net](http://www.moeller.net), <http://catalog.moeller.net>  
Copyright 2005 by Moeller GmbH. Subject to modifications. HPL-C2005GB-INT V3.0