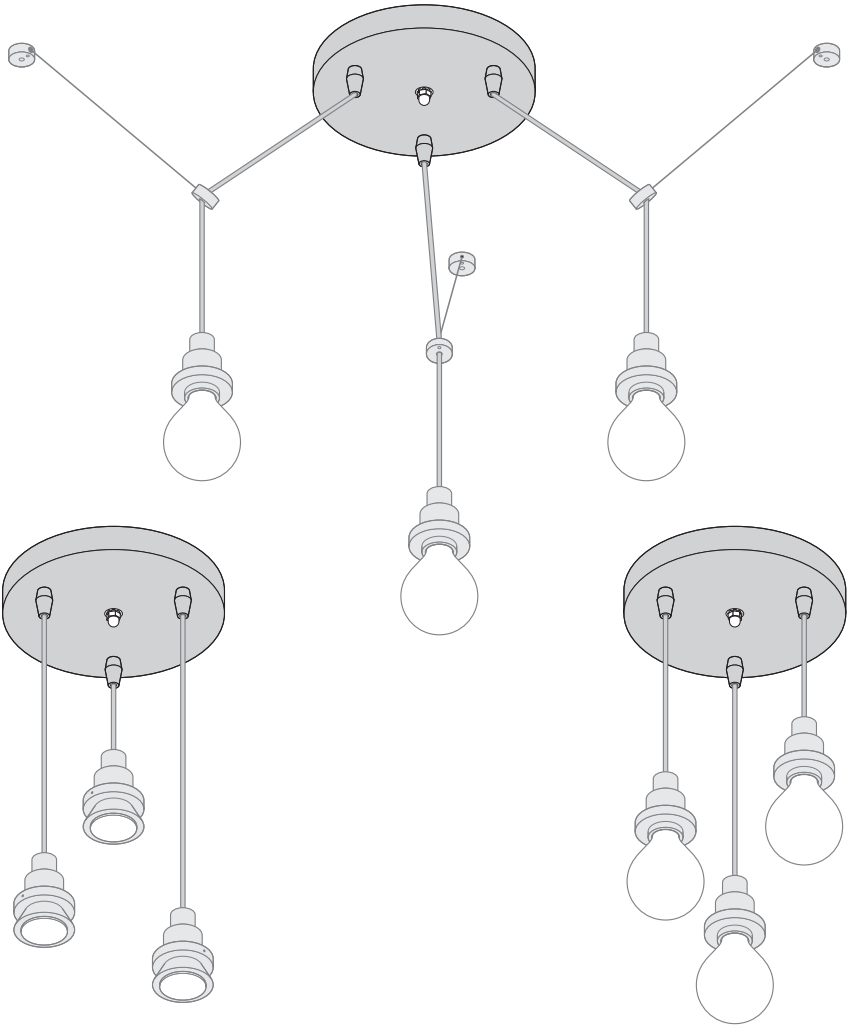


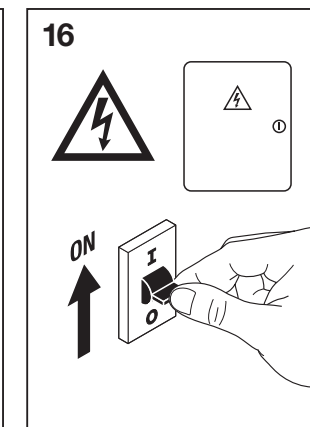
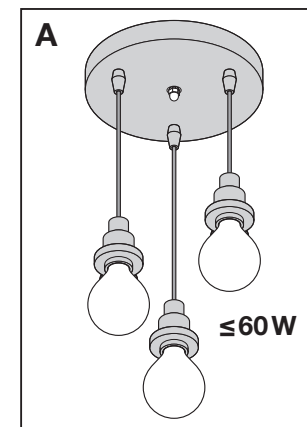
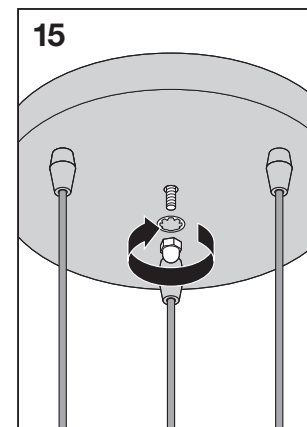
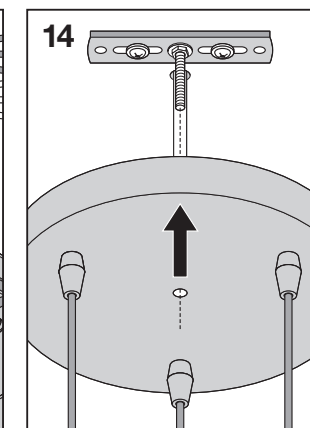
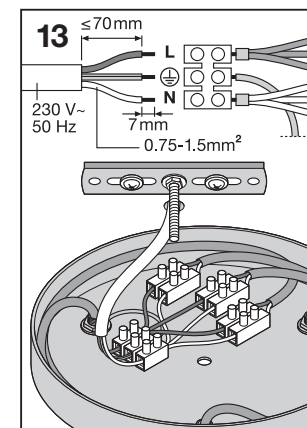
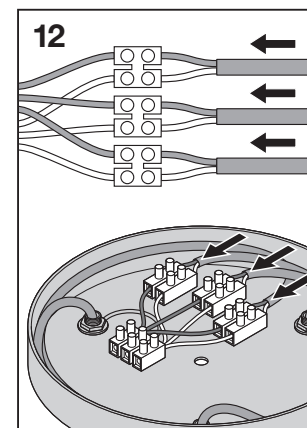
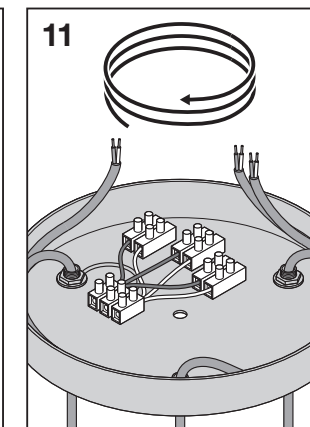
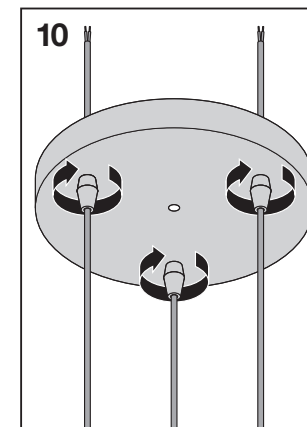
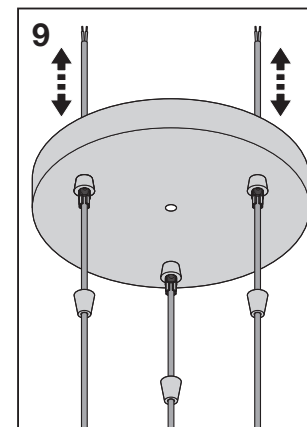
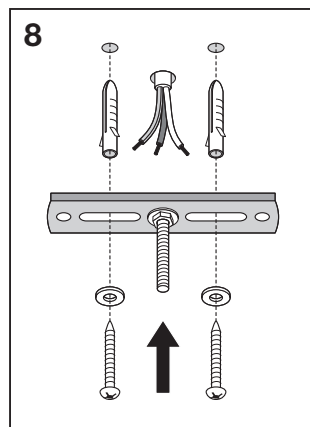
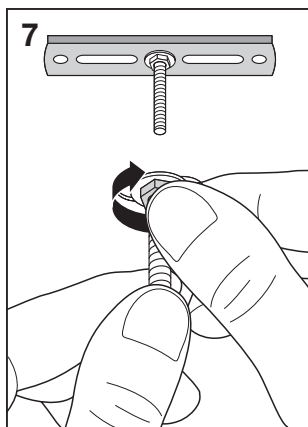
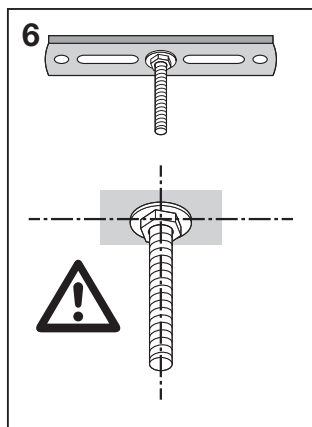
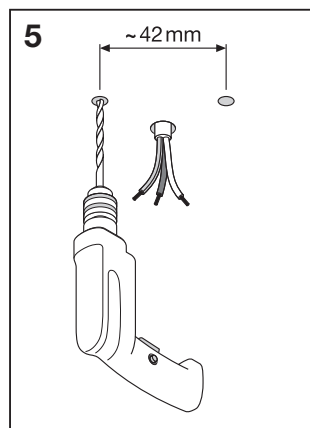
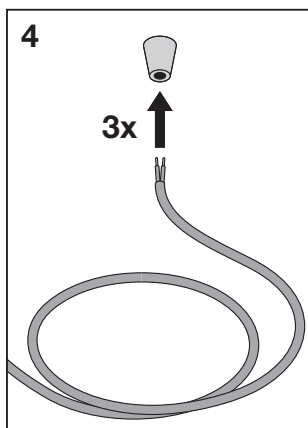
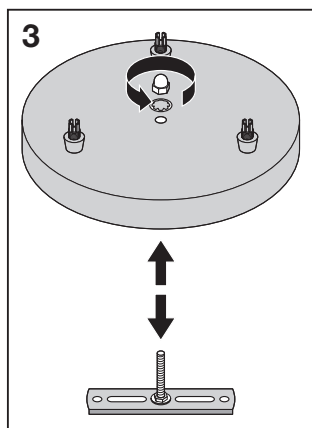
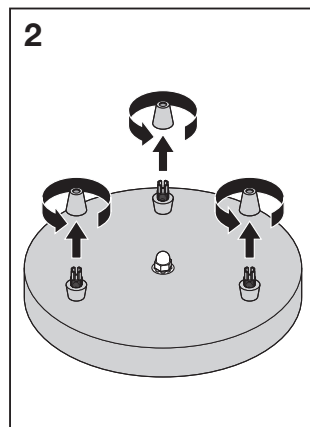
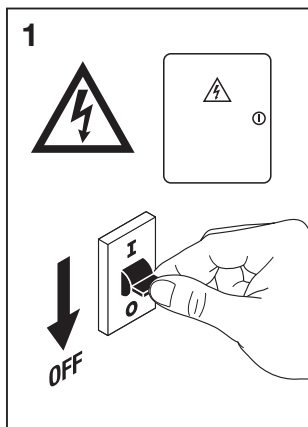
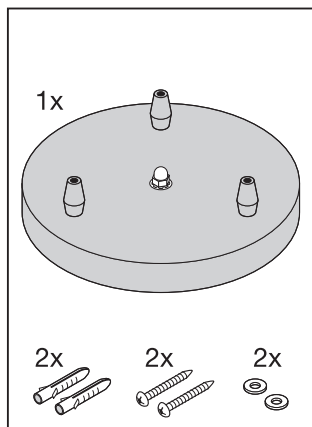
---

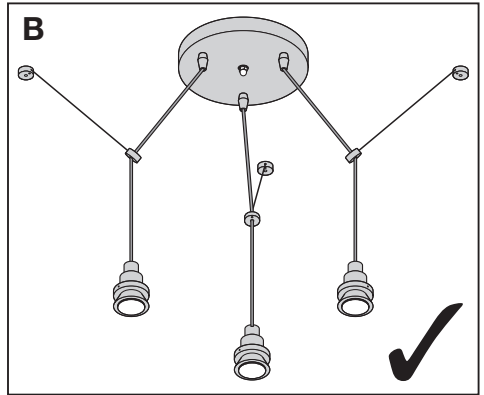
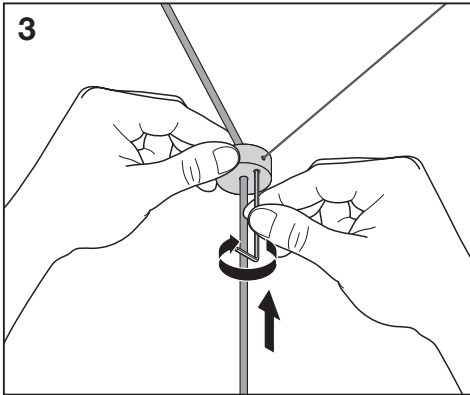
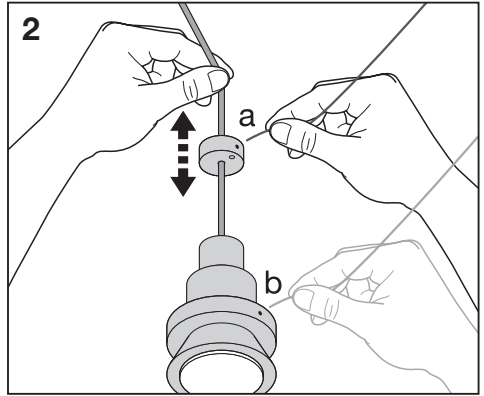
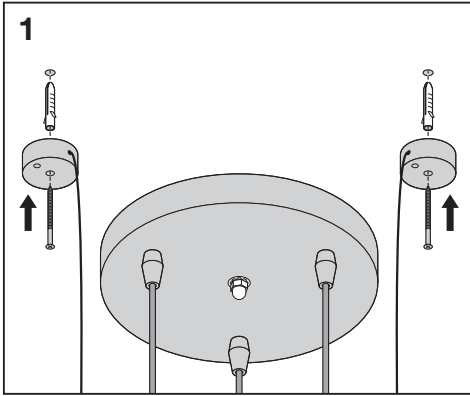
## VINTAGE 1906 PENDULUM TRIPLE CANOPY

---



	EAN	Ø x h [mm]	
1906 PENDULUM 3X CANOPY 4X1	4058075274488	200 x 25	0.525 kg





**RoHS**

C10449057  
G11065881  
24.01.19



**LEDVANCE GmbH**  
Steinerne Furt 62  
86167 Augsburg, Germany  
[www.ledvance.com](http://www.ledvance.com)