



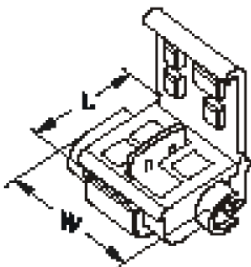
Specifications:

Connector Type	: Tap Splice
Contact Material	: Brass
Contact Plating	: Tin
Insulator Material	: Polypropylene

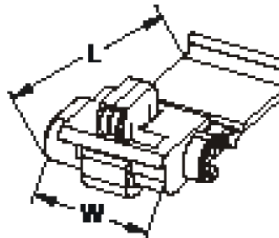
Product Application:

- Use to electrically connect (tap) wire end to a through (run) wire and insulate the connection
- Before the electrical wires are connected, the electrical wires don't be stripped the insulation
- User can connect the electrical wires directly (878110-GR provides a moisture resistant seal for the connection)

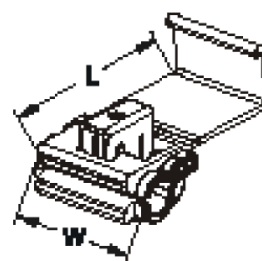
878110-GR



878010D



878211D



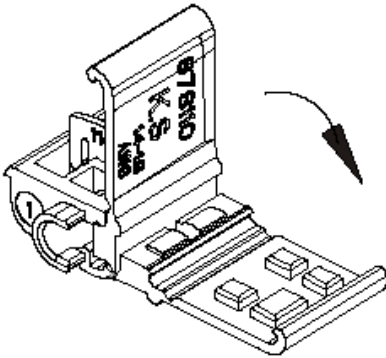
Item	Specification							
	AWG	22	20	18	16	14	12	10
Electrical Wire	AWG	22	20	18	16	14	12	10
Rated Current	Ampers	9	12	17	18	30	35	50
Maximum Rated Voltage	600V							
Maximum Temperature	100°C							
Insulation Material	P.P.							
Terminal Material	Brass							

Tap Splice

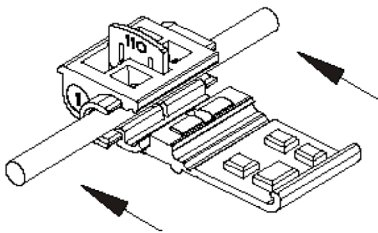
multicomp PRO

Installation Instructions (For 878110-GR; 878010D)

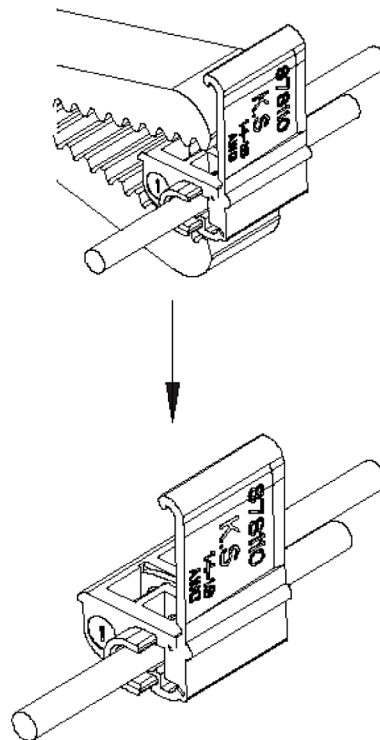
Open hinged side wall



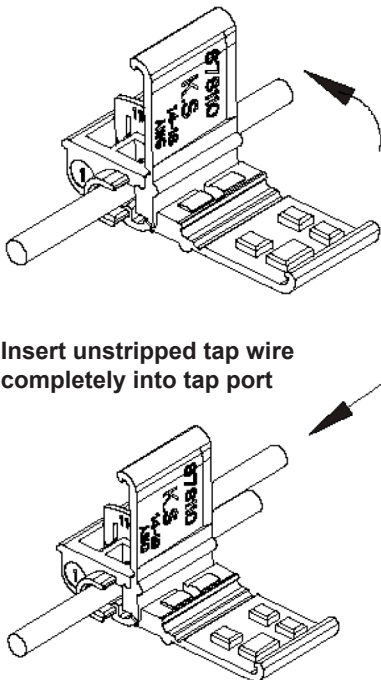
Place unstripped run wire inside run channel and close hinged side wall



Make connection with pliers held perpendicular to wires by driving "u" contact down flush with top of connector



Insert unstripped tap wire completely into tap port

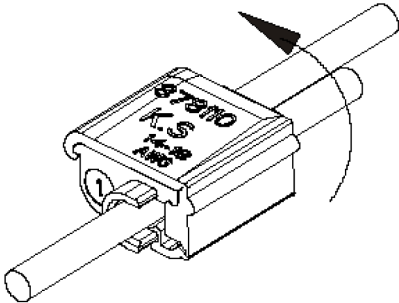


Newark.com/multicomp-pro
Farnell.com/multicomp-pro
Element14.com/multicomp-pro

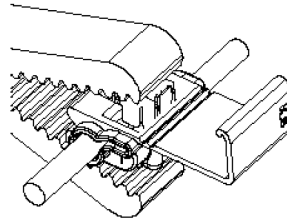
multicomp PRO

Tap Splice

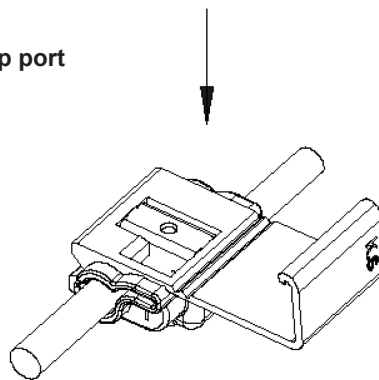
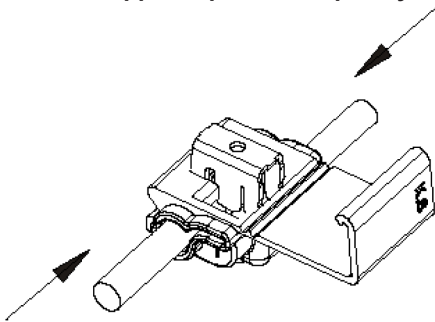
Open hinged side wall



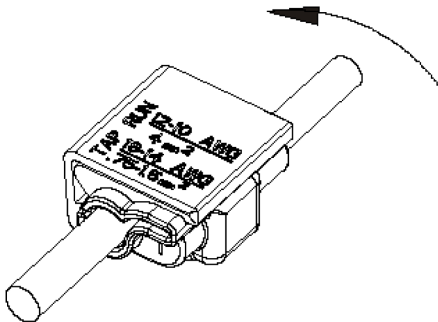
Make connection with pliers held perpendicular to wires by driving "u" contact down flush with top of connector



Insert unstripped tap wire completely into tap port



Close cover until latched



Part Number Table

Description	Wire Range AWG	W (Inch) (mm)	L (Inch) (mm)	Part Number
Tap Splice, Blue	18-14	0.764 19.4	0.595 15.1	878110-GR
Tap Splice, Red	22-18		1.299 33	878010D
Tap Splice, Yellow	12-10	0.831 21.1	1.319 33.5	878211D
	18-14			

Important Notice : This data sheet and its contents (the "Information") belong to the members of the AVNET group of companies (the "Group") or are licensed to it. No licence is granted for the use of it other than for information purposes in connection with the products to which it relates. No licence of any intellectual property rights is granted. The Information is subject to change without notice and replaces all data sheets previously supplied. The Information supplied is believed to be accurate but the Group assumes no responsibility for its accuracy or completeness, any error in or omission from it or for any use made of it. Users of this data sheet should check for themselves the Information and the suitability of the products for their purpose and not make any assumptions based on information included or omitted. Liability for loss or damage resulting from any reliance on the Information or use of it (including liability resulting from negligence or where the Group was aware of the possibility of such loss or damage arising) is excluded. This will not operate to limit or restrict the Group's liability for death or personal injury resulting from its negligence. Multicomp Pro is the registered trademark of Premier Farnell Limited 2019.