

SPECIFICATION:

Current rating: 1.5 A
 Insulation resistance: 1000 MΩ min.
 Contact resistance: 20 mΩ max.
 Dielectric voltage: 1000 V AC
 Operation temperature: -40 °C to +70 °C

MATERIAL:

Housing: Polycarbonate UL94V-0
 Contacts: Phosphorbronze

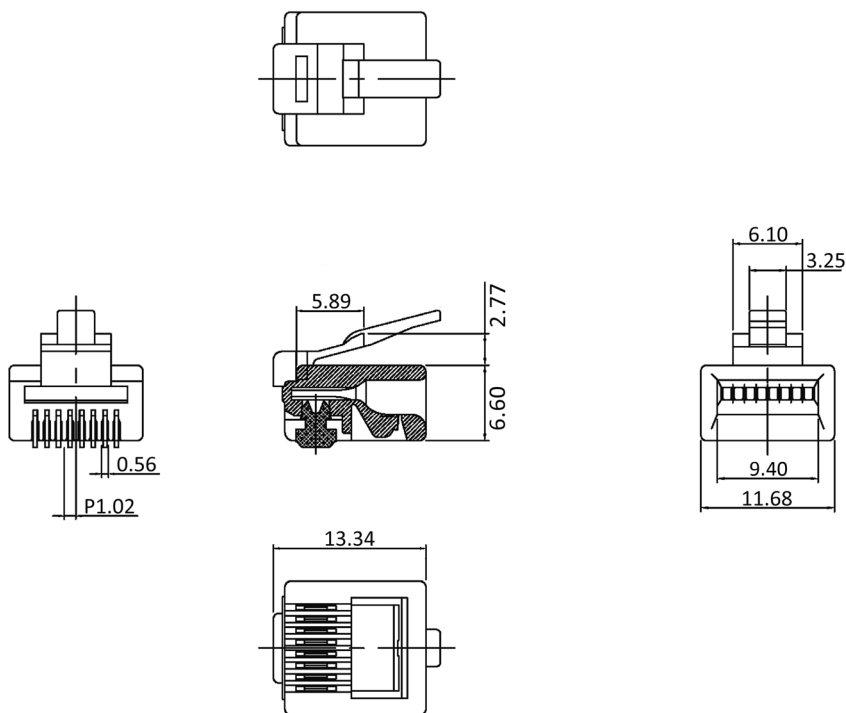
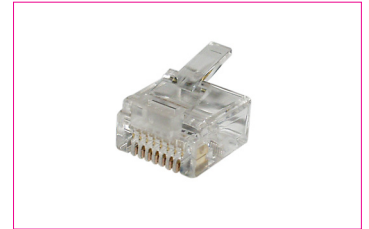
FINISH:

Contacts: Gold plated 3 μ"'

HANDLING:

Packing: Bulk

**RoHS
COMPLIANT**



Order-Information

Identifier:

MPL8/8K

Version:

#

Modular Plug 8P8C short version unshielded

empty: for flat oval cable