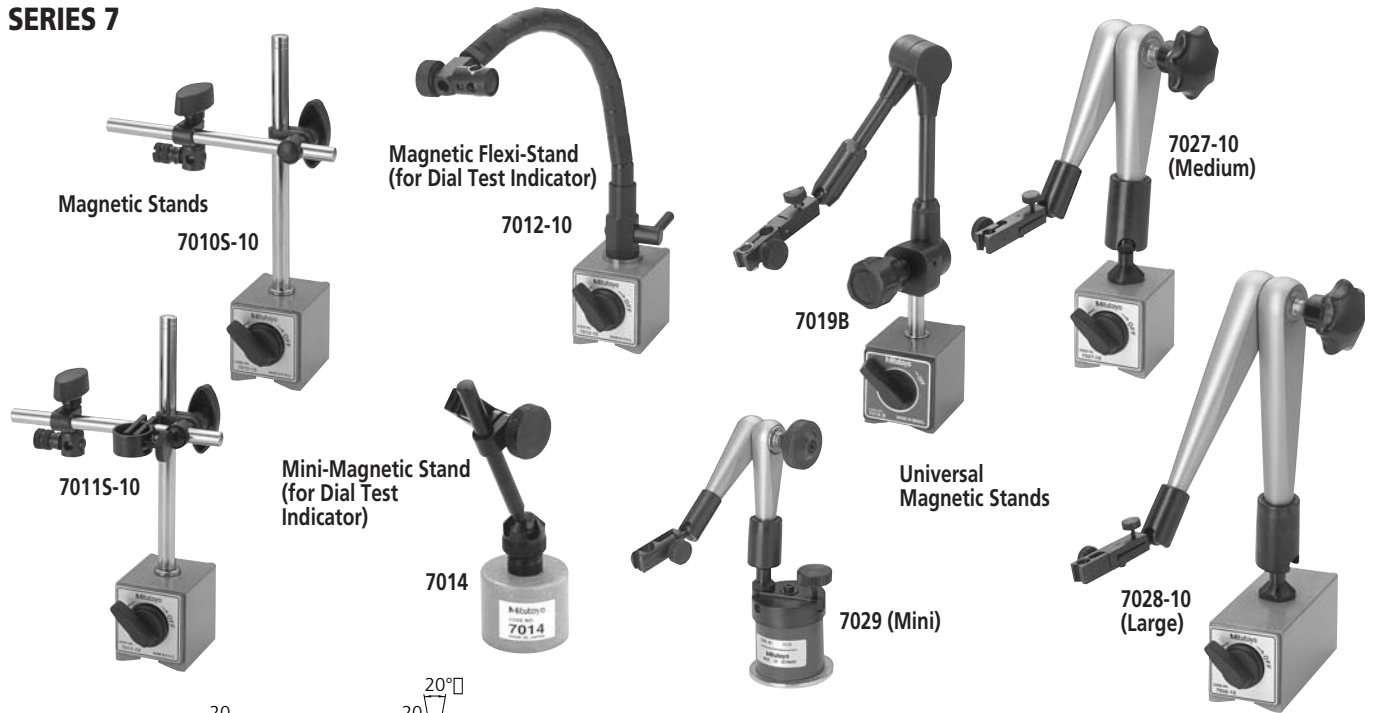
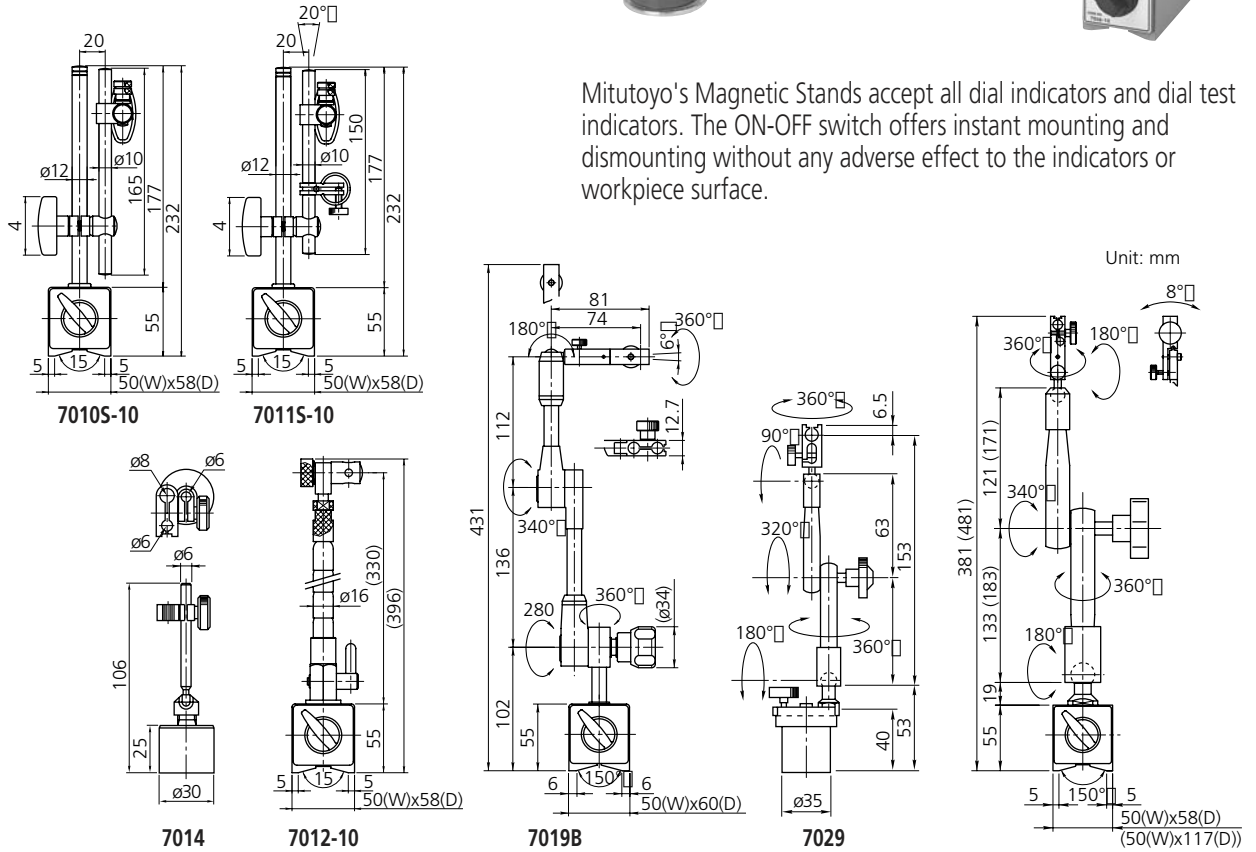


Magnetic Stands

SERIES 7



Dimensions



Mitutoyo's Magnetic Stands accept all dial indicators and dial test indicators. The ON-OFF switch offers instant mounting and dismounting without any adverse effect to the indicators or workpiece surface.

SPECIFICATIONS

Order No.	Description	Applicable holding stem	Dovetail groove*	Mass	Remarks
7010S-10	Magnetic stand	ø8mm, ø4.5mm, 3/8" DIA.	—	1.4kg	—
7011S-10	Magnetic stand	ø8mm, ø4.5mm, 3/8" DIA.	—	1.4kg	With fine adjustment
7012-10	Magnetic flexi-stand	ø8mm, ø6mm, 3/8" DIA.	—	1.6kg	For Dial Test Indicator
7014	Mini magnetic stand	ø8mm, ø6mm	Provided	0.2kg	Without ON-OFF switch
7019B	Universal magnetic stand	ø8mm, 3/8" DIA.	Provided	1.8kg	With hydraulic position lock
7027-10	Universal magnetic stand	ø8mm	Provided	1.7kg	With hydraulic position lock
7028-10	Universal magnetic stand	ø8mm	Provided	2.8kg	With hydraulic position lock
7029	Universal magnetic stand	ø8mm	Provided	0.5kg	Without ON-OFF switch