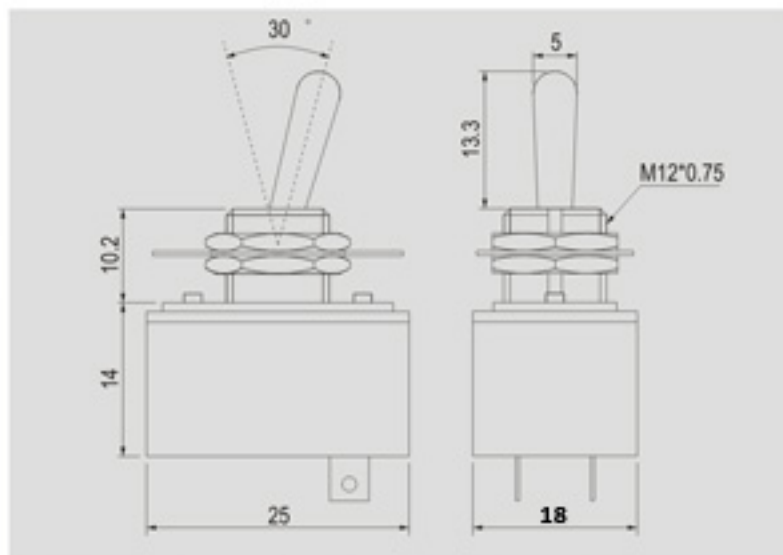


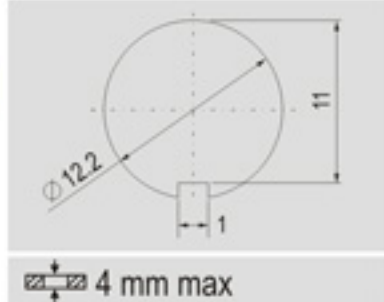
R13-2.4



Rating
3A 125V AC 1.5A 250V AC
Contact resistance
50mΩ Max
Insulation resistance
DC 500V 100MΩ Min
Dielectric strength
AC 1000V 1 minute
Cut-out

FEATURES

- * MATERIAL: Metal lever and bushing are nickel plated metal. Frames are nickel plated steel.
- * Standard toggle lever.
- * Phenolic base.
- * Indicator plate is optional.



R13- -

