



## Changeover switches, Flat Front, with thumb-grip, 3 positions, momentary



Powering Business Worldwide™

Part no. **M30C-FWK3**  
 Catalog No. **187104**  
 Eaton Catalog No. **M30C-FWK3**

### Delivery program

|   |   |  |   |
|---|---|--|---|
| Product range   |   |  | RMQ-Titan   |
| Basic function  |   |  | Selector switch actuators   |
| Single unit/Complete unit   |   |  | Single unit   |
| Design  |   |  | With thumb-grip<br>momentary  |
| <b>Function:</b>  |   |  |   |
|   |   |  | 40°  40°  |
|   |   |  | 3 positions   |
| Degree of Protection  |   |  | IP64  |
| Front ring  |   |  | Metal bezel   |
| Connection to SmartWire-DT  |   |  | Yes, with SWD-RMQ connections   |
| <b>Actuator travel and actuation force as per DIN EN 60947-5-1, K.5.4.1</b> |   |  |   |
| Minimum force for positive opening  | N |  | 0   |
| Front dimensions  |   |  | Ø 36 mm   |
| <b>Instructions</b>   |   |  | Stay-put/spring-return function, can be changed with coding parts M22-XC-Y with plunger bridge for the middle contact |

### Technical data

#### General

|                             |              |                   |  |
|-----------------------------|--------------|-------------------|--|
| Standards                   |              |                   | IEC/EN 60947<br>VDE 0660   |
| Lifespan, mechanical        | Operations   | x 10 <sup>6</sup> | > 0.1  |
| Operating frequency         | Operations/h |                   | 2000   |
| Operating torque            |              | Nm                | 0.3  |
| Climatic proofing           |              |                   | Damp heat, constant, to IEC 60068-2-78<br>Damp heat, cyclic, to IEC 60068-2-30 |
| Degree of Protection        |              |                   | IP64   |
| Ambient temperature         |              |                   |  |
| Open                        |              | °C                | -25 - +70  |
| Storage                     |              | °C                | -40 - +80  |
| Mounting position           |              |                   | As required  |
| Mechanical shock resistance |              | g                 | 15<br>Shock duration 11 ms<br>Sinusoidal<br>according to IEC 60068-2-27        |

### Design verification as per IEC/EN 61439

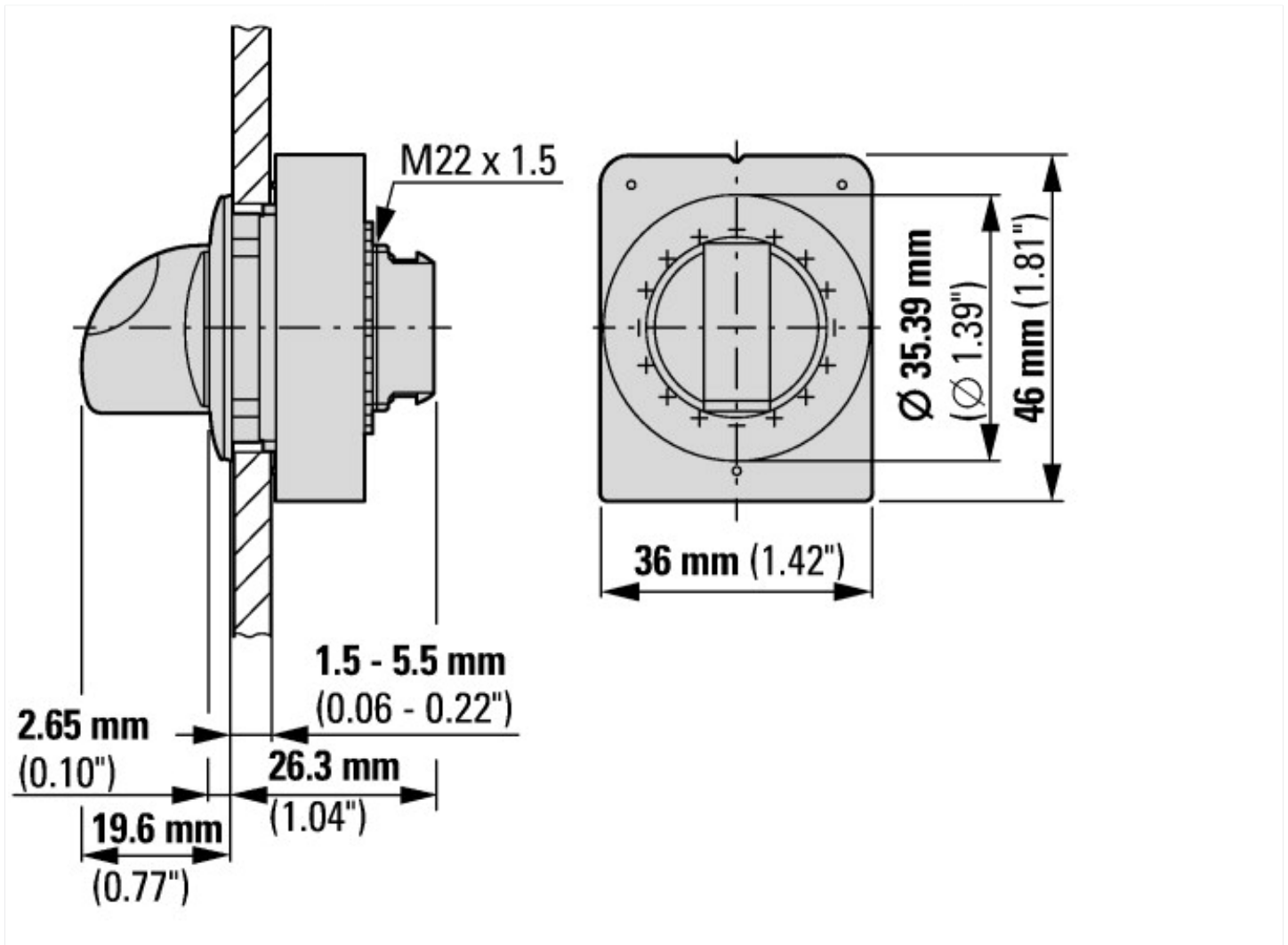
|  |  |    |     |
|--|--|----|-----|
| Technical data for design verification |  |    |     |
| Operating ambient temperature max.     |  | °C | -25 |
| Operating ambient temperature max.     |  | °C | 70  |

### Technical data ETIM 6.0

|  |  |  |        |
|--|--|--|--------|
| Low-voltage industrial components (EG000017) / Front element for selector switch (EC000222)  |  |  |        |
| Electric engineering, automation, process control engineering / Low-voltage switch technology / Command and alarm device / Front element for selector switches (ecl@ss8.1-27-37-12-13 [AKF031011]) |  |  |        |
| Number of switch positions   |  |  | 3      |
| Type of control element  |  |  | Toggle |
| Suitable for illumination  |  |  | No     |

|                                       |    |                |
|---------------------------------------|----|----------------|
| Colour control element                |    | Black          |
| Colour indicator light cap            |    | Not applicable |
| Construction type lens                |    | Round          |
| Hole diameter                         | mm | 30             |
| Width opening                         | mm | 0              |
| Height meter opening                  | mm | 0              |
| Switching function latching           |    | No             |
| Spring-return                         |    | Yes            |
| Degree of protection (IP), front side |    | IP66           |
| With front ring                       |    | Yes            |
| Material front ring                   |    | Metal          |
| Colour front ring                     |    | Chrome         |

## Dimensions

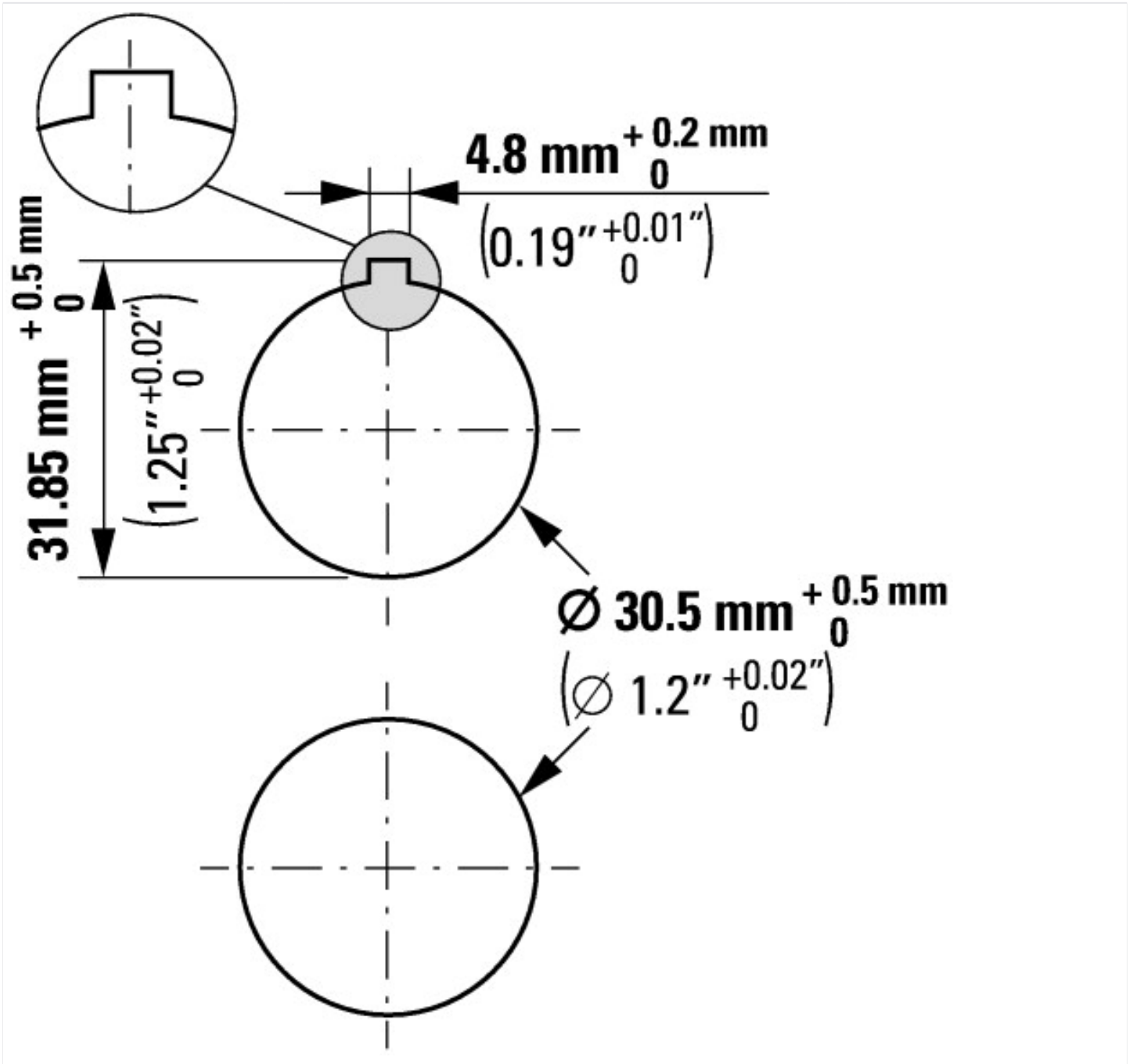




with 2 M22-K... standard contact elements



with M22-FK... flat rear contact elements



### Additional product information (links)

IL047019ZU Flat Front

IL047019ZU Flat Front

[ftp://ftp.moeller.net/DOCUMENTATION/AWA\\_INSTRUCTIONS/IL047019ZU2017\\_02.pdf](ftp://ftp.moeller.net/DOCUMENTATION/AWA_INSTRUCTIONS/IL047019ZU2017_02.pdf)