

Product Data Sheet

670A RZ XX 3865

Replace "XX" with 01 through 36 for number of poles



Terminal Block– Closed Back
With Sems Pressure Saddle Screw
15 Amps, 300 Volts (AC/DC) Class B

Copper Wire Only

Wire Range with Sems Pressure Screw (SP): #14 - #22
AWG, solid or stranded wire

3/8" Centers

Electrical Ratings:

- 15A (Based on NEC Table 310-16, 75°C columns)
- 300 Volts AC/DC (UL 1059 Class B, Use Group – Commercial Appliances)
- 150 Volts AC/DC (UL 1059 Class C, Use Group – General Industrial)
- Short Circuit Current Rating: 10,000A (Default)
- Factory and Field Wiring: Solid wire
- Factory Wiring: Stranded wire

NOTE: Use outside these ratings must be judged in end-use application

Mechanical Ratings:

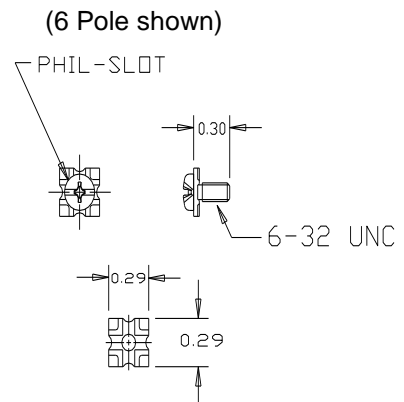
- Insulator base temperature rating: -40° C/F to 130°C (266°F) UL RTI
- Flammability rating of insulator base: UL 94V-0

Materials:

- Connector (Contact): Brass, tin plated.
- Insulator base: Glass filled Polyester
- Drive screw (Rivet): Stainless steel
- Screw, #6-32 Saddle Plate, phil-slot: Steel, nickel plated

Agency Approvals:

- UL Recognized, UL 1059 Terminal Block Standard, File No. XCFR2.E47811
- CSA Certified, CSA C22.2 No. 158, File No. LR19766
- CE compliant, IEC 60947-7-1
- RoHS Compliant



Wire Range:

Wire Size	Torque	Copper Wire Stranding Classes - Number of Conductors		
		Solid	Class B	Class C
14	9 in. Lbs	1	1	1
16	9 in. Lbs	1	1	1
18	9 in. Lbs	1	1	1
20	9 in. Lbs	1	1	1
22	9 in. Lbs	1	1	1

Mounting:

Suggested product mounting hardware: #6 fastener. Torque to 10-15 in. lbs.

Accessories:

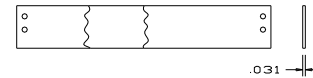
- Printing: for printing options, see Terminal Block Printing

<http://marathonsp.com/CatalogPDFs/TBPrinting.pdf>

- Marking strips (Sub mounted or Top mounted)

<http://marathonsp.com/CatalogPDFs/TopMountedMS.pdf>

<http://marathonsp.com/CatalogPDFs/SubMounted.pdf>

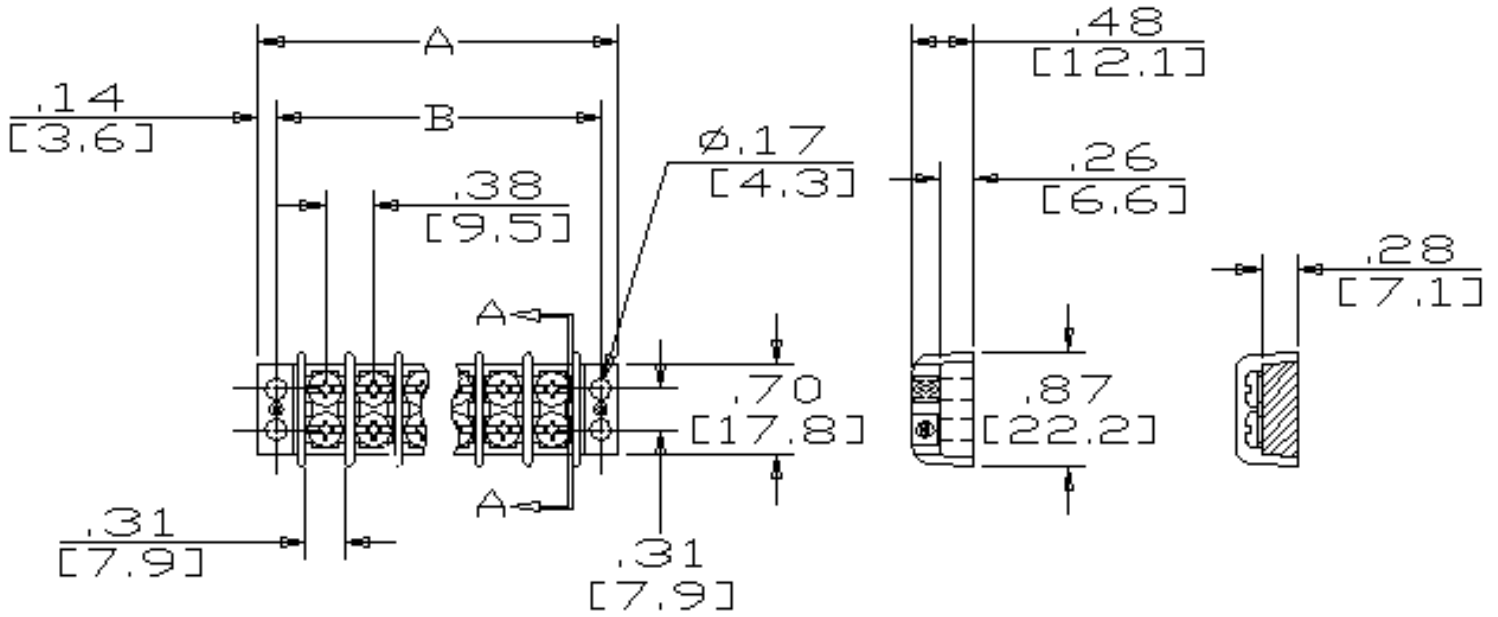


- Cover – top mounted (May not accommodate some hardware options) .

Order CW (white) or CB (Black). Can be printed.

<http://marathonsp.com/CatalogPDFs/TopMountedCover.pdf>





Catalog No	# of Poles	Dimensions			Catalog No	# of Poles	Dimensions	
		A	B				A	B
670A RZ 01	1	1.03	0.75	X	670A RZ 19	19	7.78	7.50
670A RZ 02	2	1.41	1.13	X	670A RZ 20	20	8.16	7.88
670A RZ 03	3	1.78	1.50	X	670A RZ 21	21	8.53	8.25
670A RZ 04	4	2.16	1.88	X	670A RZ 22	22	8.91	8.63
670A RZ 05	5	2.53	2.25	X	670A RZ 23	23	9.29	9.01
670A RZ 06	6	2.91	2.63	X	670A RZ 24	24	9.66	9.38
670A RZ 07	7	3.28	3.00	X	670A RZ 25	25	10.04	9.76
670A RZ 08	8	3.66	3.38	X	670A RZ 26	26	10.41	10.13
670A RZ 09	9	4.03	3.75	X	670A RZ 27	27	10.79	10.51
670A RZ 10	10	4.41	4.13	X	670A RZ 28	28	11.17	10.89
670A RZ 11	11	4.78	4.50	X	670A RZ 29	29	11.54	11.26
670A RZ 12	12	5.16	4.88	X	670A RZ 30	30	11.92	11.64
670A RZ 13	13	5.53	5.25	X	670A RZ 31	31	12.29	12.01
670A RZ 14	14	5.91	5.63	X	670A RZ 32	32	12.67	12.39
670A RZ 15	15	6.28	6.00	X	670A RZ 33	33	13.05	12.77
670A RZ 16	16	6.66	6.38	X	670A RZ 34	34	13.42	13.14
670A RZ 17	17	7.03	6.75	X	670A RZ 35	35	13.80	13.52
670A RZ 18	18	7.41	7.13	X	670A RZ 36	36	14.17	13.89

Top Mounted Hardware is .187" Wide

MM = Dim X 25.4