

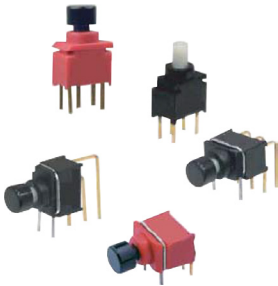
Ultraminiature Pushbuttons Sealed

multicomp PRO

**RoHS
Compliant**

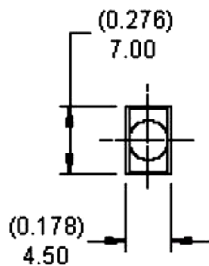
Specifications

Max. Contact Rating	: 0.4VA at 20V AC or DC
Mechanical Life	: 40,000 make-and-break cycles
Contact Resistance	: Below 100mΩ typical initial at 2-4 V DC, 100mA
Min. Insulation Resistance	: 500MΩ
Dielectric Strength	: 500V rms at sea level
Operating Temperature	: -30°C to +85°C
Degree of Protection	: IP67
Materials:	
Housing and Base	: Glass filled nylon 6/6 or 4/6, flame retardant, heat stabilized
Actuator	: Glass filled nylon 6/6, flame retardant, heat stabilized with standard internal o-ring seal
Switch Support	: Steel with nickel plate
Contacts / Terminals	: Silver plated copper alloy

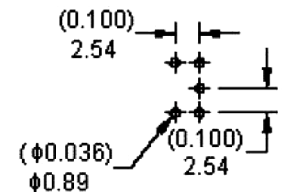
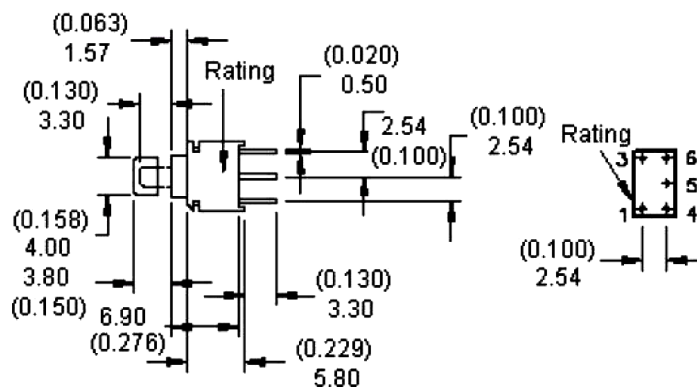


Pole Option

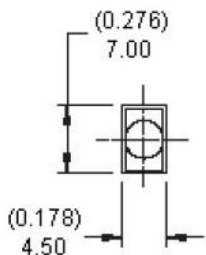
M2RE



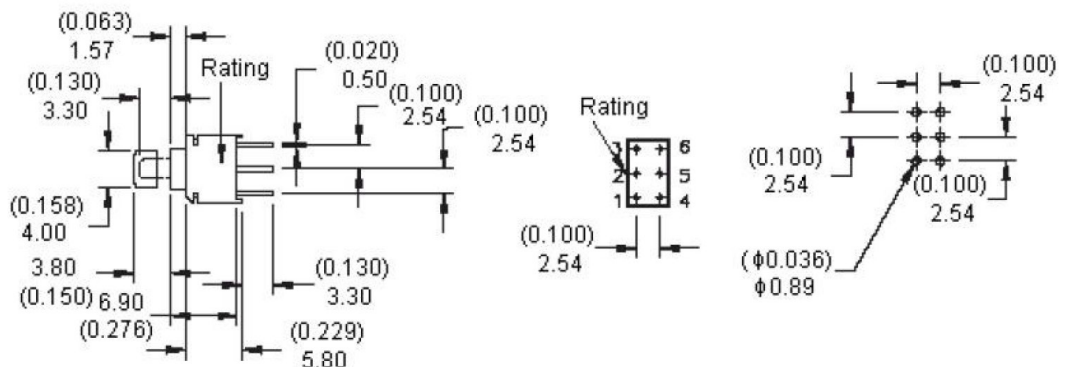
SPDT



M2RE



DPDT



Dimensions : Millimetres (Inches)

Newark.com/multicomp-pro
Farnell.com/multicomp-pro
Element14.com/multicomp-pro

multicomp PRO

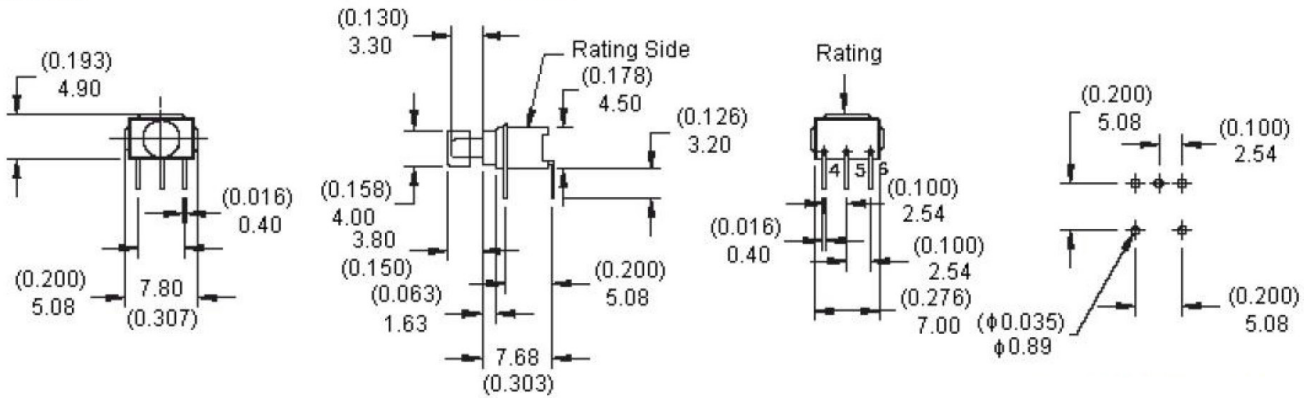
Ultraminiature Pushbuttons Sealed

multicomp PRO

Pole Option

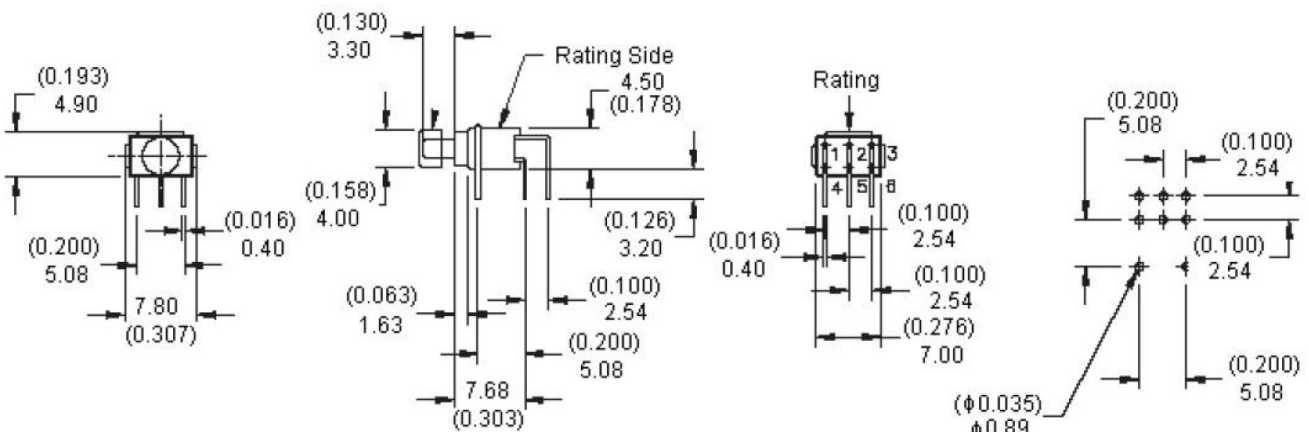
M6RE

SPDT



M6RE

DPDT



Dimensions : Millimetres (Inches)

Part Number Table

Description	Part Number
Switch, Push Button, SPDT, ON-MOM	P8US8WR2C2M2RES
Switch, Push Button, DPDT, ON-MOM	P8UD8WR2C2M2RES
Switch, Push Button, R/A, SPDT, ON-MOM	P8US8WR2C2M6RES
Switch, Push Button, R/A, DPDT, ON-MOM	P8UD8WR2C2M6RES

Important Notice : This data sheet and its contents (the "Information") belong to the members of the AVNET group of companies (the "Group") or are licensed to it. No licence is granted for the use of it other than for information purposes in connection with the products to which it relates. No licence of any intellectual property rights is granted. The Information is subject to change without notice and replaces all data sheets previously supplied. The Information supplied is believed to be accurate but the Group assumes no responsibility for its accuracy or completeness, any error in or omission from it or for any use made of it. Users of this data sheet should check for themselves the Information and the suitability of the products for their purpose and not make any assumptions based on information included or omitted. Liability for loss or damage resulting from any reliance on the Information or use of it (including liability resulting from negligence or where the Group was aware of the possibility of such loss or damage arising) is excluded. This will not operate to limit or restrict the Group's liability for death or personal injury resulting from its negligence. Multicomp Pro is the registered trademark of Premier Farnell Limited 2019.

Newark.com/multicomp-pro
Farnell.com/multicomp-pro
Element14.com/multicomp-pro

multicomp PRO