



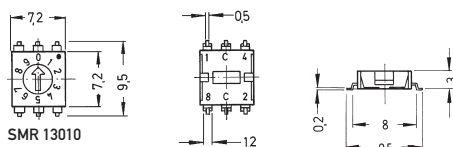
# Microminiature Rotary Coded Switches for SMT

## Specifications:

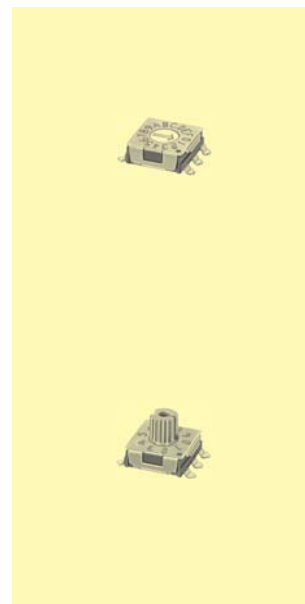
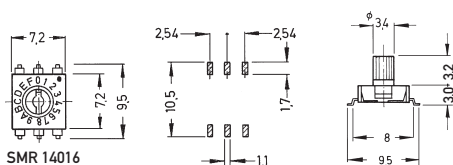
Contact rating:	50 V DC, 100 mA, non-switching 5 V DC, 100 mA, switching
Contact resistance:	< 200 mΩ
Insulation resistance:	> 1000 MΩ at 100 V DC
Dielectric strength:	250 V, 50 Hz for the duration of 1 minute
Operating temperature:	- 25° to + 75° C
Mechanical life:	minimum 20 000 operations
Contacts:	phosphor bronze, gold-plated
Material:	case: thermoplastic; frame: stainless steel rotor: PA, standard types ivory; inverse types red
Construction:	case totally sealed, suitable for washing by immersion
Mounting:	on pc-board – SMD
Soldering conditions:	reflow-soldering – max.: 30 sec, 240° C

## Models: Code

SMR 13010	BCD
SMR 13110	BCD Inverse
SMR 13016	Hexadecimal
SMR 13116	Hexadecimal Inverse

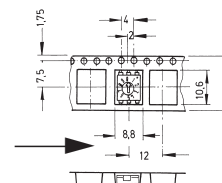


SMR 14010	BCD
SMR 14110	BCD Inverse
SMR 14016	Hexadecimal
SMR 14116	Hexadecimal Inverse

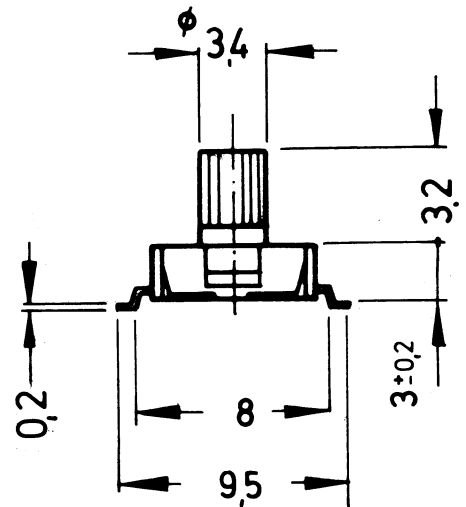
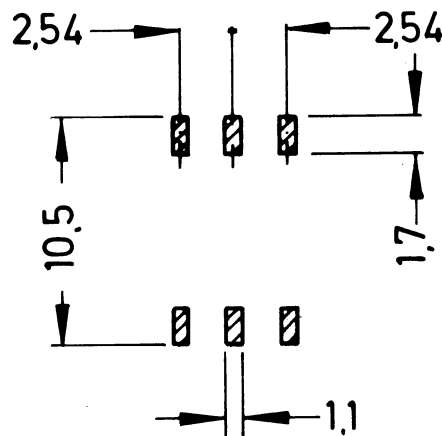
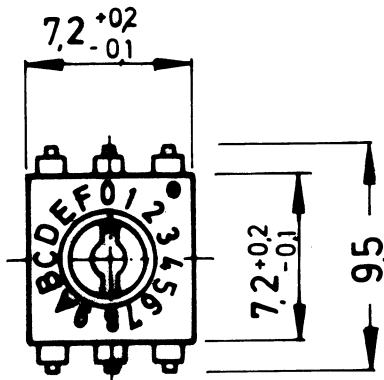
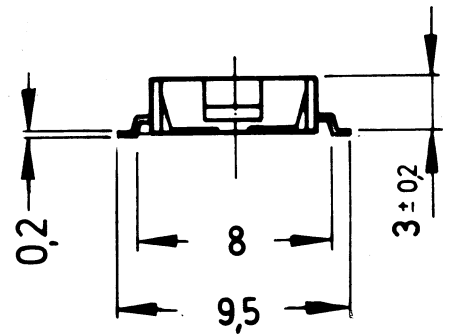
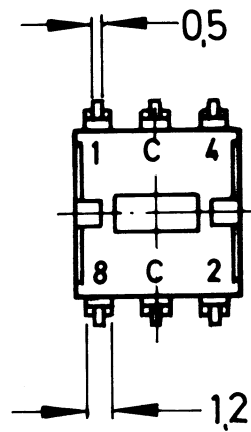
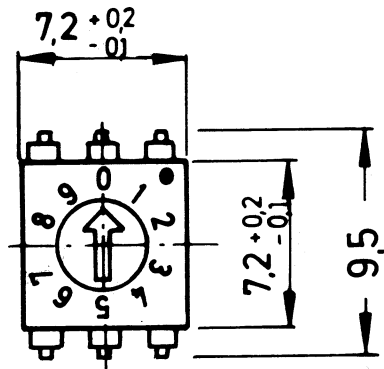


Packaging: sticks or tapes  
for order on tapes: additional to type number: T  
example of order: SMR 13010 T

Models	Stick	Tape	Reel
SMR 13 000	65 pieces; L 510 mm	2000 pieces	∅ 330 mm
SMR 14 000	65 pieces; L 510 mm	-	-



Delivery or duplication of this document, and the use or communication of the contents thereof, are forbidden without express authority. Offenders are liable to the payment of damages. All rights are reserved in the event of the grant of a Patent or the registration of a Utility Model.



Weitergabe sowie Vervielfältigung dieser Unterlagen, Verwertung und Mitteilung ihres Inhalts sind gesetzlich soweit nicht ausdrücklich zugestanden. Zuwiderhandlungen verpflichten zu Schadenersatz. Alle Rechte für den Fall der Patentierung oder GM-Eintragung vorbehalten.

Ergebnis	4/97				10/96	ey.
Änderung	2/98					
Tag		Mitteilung		Name		
TR	Abgabe	Freigabe:				

SMR 13000 /14000

knitter-switch

M 3 : 1

20 26 06

Blatt 1  
3 Blätter