

PTC HEATER

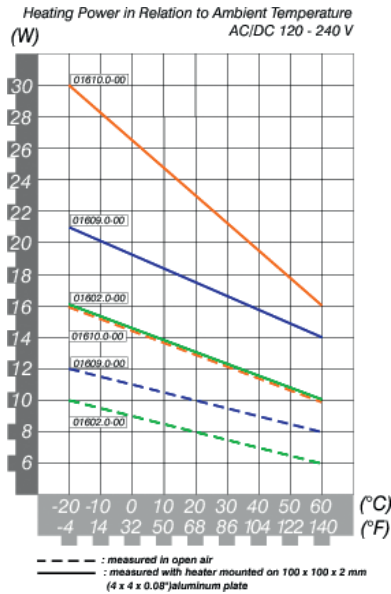
RC 016 | 8 - 13 W



- > Compact size
- > Wide voltage range
- > Energy saving

- > Heating power adjusts to ambient temperature

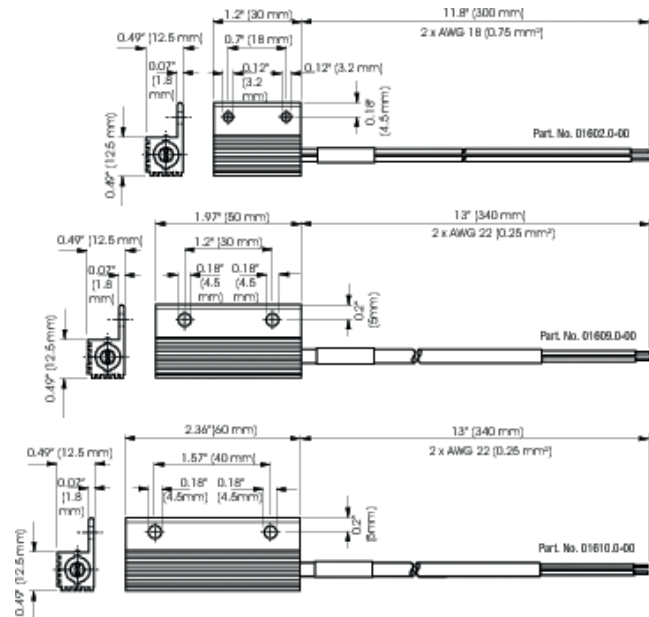
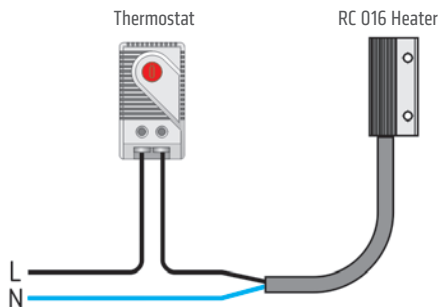
The RC 016 small heaters are designed to prevent condensation and to ensure a minimum operating temperature in small enclosures.



TECHNICAL DATA

Operating voltage	see table below
Heating element	PTC resistor - temperature limiting
Heater body	aluminum, anodized
Insulation	PTFE / Kapton
Mounting	screw (mounting screws not included)
Mounting position	variable
Operating / Storage temperature	-49 to +158 °F (-45 to +70 °C)
Operating / Storage humidity	max. 90 %RH (non-condensing)
Protection class / Protection type	II (double insulated) / IP54

Wiring example



Part No.	Heating capacity ¹	Operating voltage ²	Max. current (inrush)	Surface temperature (approx.) ¹	Weight (approx.)	Approvals
01602.0-00	8 W	AC/DC 120-240 V	2.0 A	302 °F (150 °C)	0.7 oz. (20 g)	UL File No. E234324 VDE GOST-R
01602.0-03	8 W	AC/DC 12-30 V	3.7 A	273 °F (134 °C)	0.7 oz. (20 g)	UL File No. E234324 GOST-R
01609.0-00	10 W	AC/DC 120-240 V	2.5 A	311 °F (155 °C)	1.0 oz. (28 g)	UL File No. E234324 VDE GOST-R
01609.0-01	10 W	AC/DC 12-30 V	5.7 A	270 °F (132 °C)	1.0 oz. (28 g)	UL File No. E234324 GOST-R
01610.0-00	13 W	AC/DC 120-240 V	3.0 A	338 °F (170 °C)	1.2 oz. (34 g)	UL File No. E234324 VDE GOST-R
01610.0-01	13 W	AC/DC 12-30 V	10.0 A	298 °F (148 °C)	1.2 oz. (34 g)	UL File No. E234324 GOST-R

¹ at 68°F (20°C) ambient temperature; ² operating high voltage heaters below AC/DC 140V reduces heating performance by approx. 10% (min. 110V, max 265V).