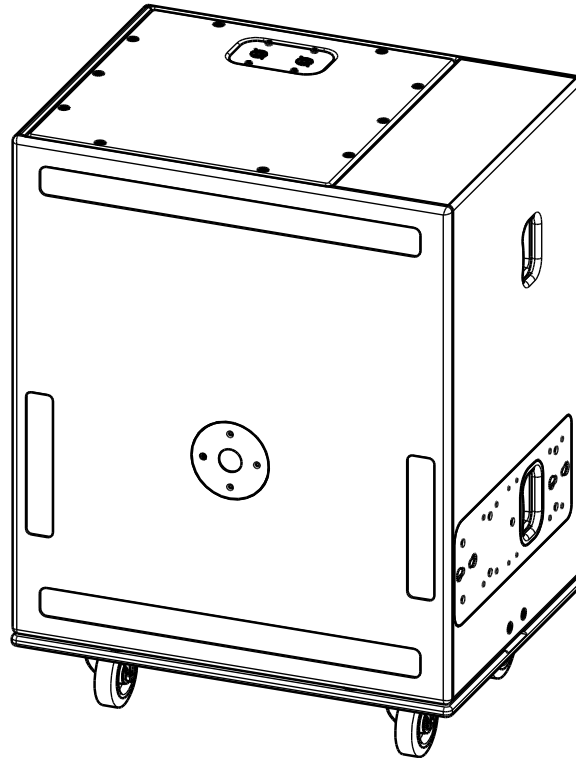
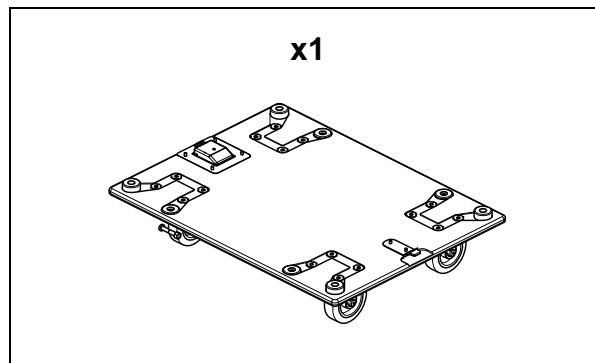


## LS18 Wheelboard

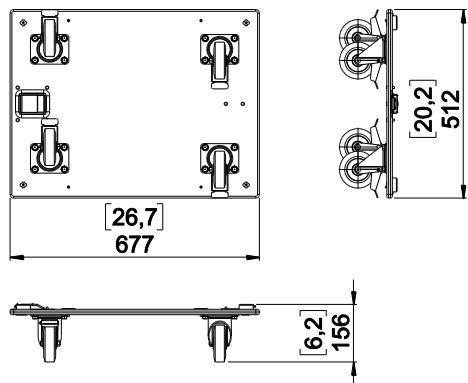


### Contents:

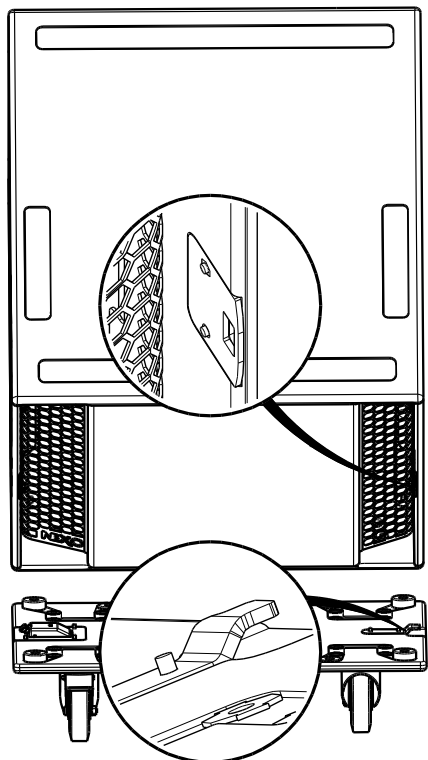


## Size / Dimensions:

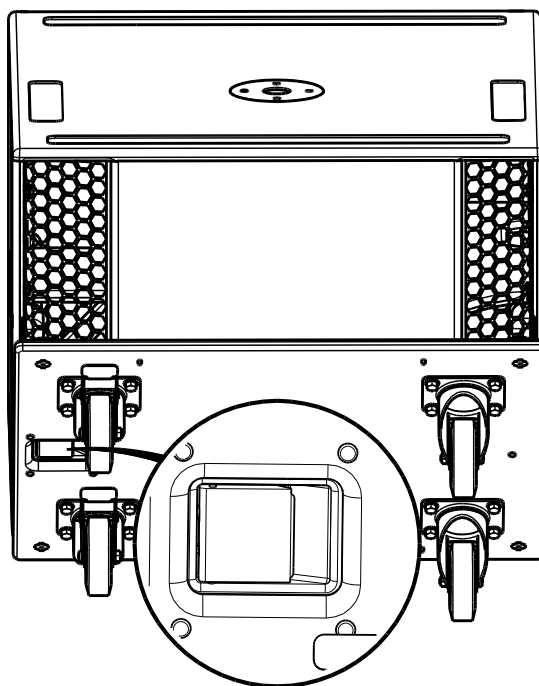
Weight: 8 kg / 17 lb



Put the male metallic part in the window.



Locked with the Latch.



- NEXO cannot accept responsibility for accidents caused by any factor other than defects in this product itself.
- Please check the web site [www.nexo-sa.com](http://www.nexo-sa.com) for the latest update.

# NEXO

<https://nexo-sa.com>

ZA du Pre de la Dame Jeanne  
60128 PLAILLY - France

- Read this document before using.
- Keep this document.
- Observe all warnings and cautions.