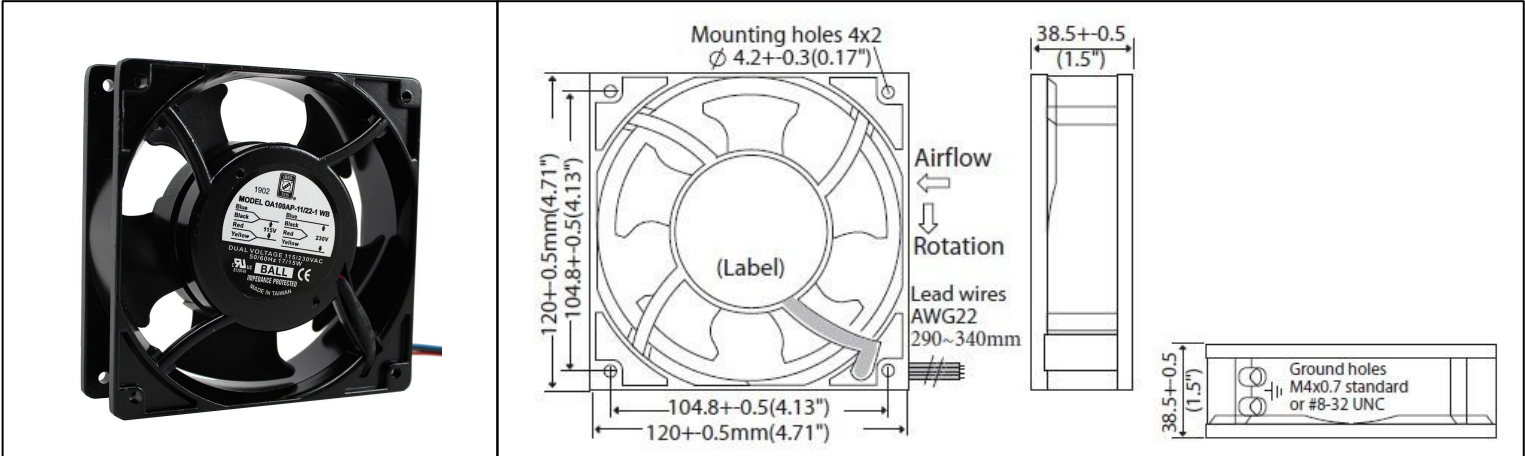


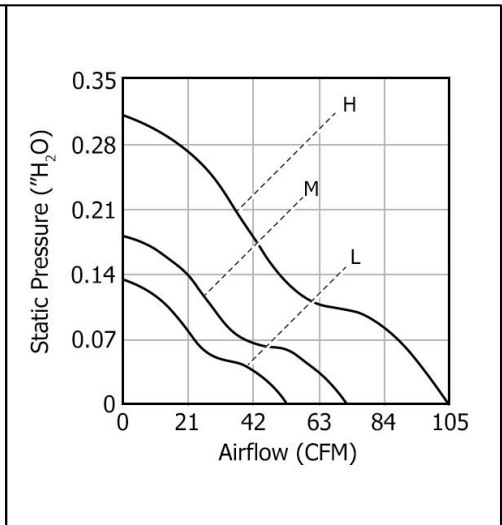
# OA109AP Dual Voltage



AC Fan - 115V, 230V  
120x120x38mm (4.7"x1.5")



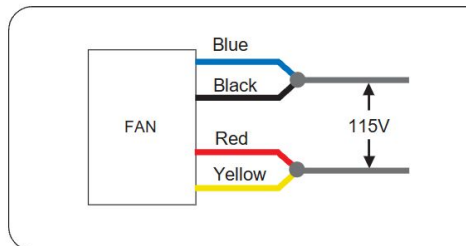
Frame	Die Cast Aluminum, Black Finish	<b>Operating Temperature</b> -20°C ~ +70°C  <b>Storage Temperature</b> -40°C ~ +100°C  <b>Life Expectancy</b> 80,000 hours (L10 at 45°C)  Weight: 1.2 lbs  m0
Impeller	PBT, UL94 V-0 plastic	
Connection	4x Lead Wires, 22 AWG	
Motor	Inner Rotor, Shaded Pole Induction, Single Phase, Impedance Protected	
Bearing System	Dual Ball Bearings	
Dielectric Strength	1500VAC/min < 1mA	
Insulation Resistance	Over 100MΩ @ 500VDC Between Leadwires and Frame	



Part Number	Rated Voltage 50/60Hz	Input Power 50/60Hz	Voltage Range	Rated Speed (RPM) 50/60Hz	Airflow (CFM) 50/60Hz	Noise Level (dB) 50/60Hz	Max. Static Pressure (H <sub>2</sub> O) 50/60Hz
OA109AP-11/22-1WB	115 / 230 VAC	17 / 15 W	100-120 / 200-240	2600 / 3000	90 / 105	42	0.29 / 0.31
OA109AP-11/22-2WB	115 / 230 VAC	13 / 11 W	100-120 / 200-240	2400 / 2350	77 / 71	35	0.21 / 0.18
OA109AP-11/22-3WB	115 / 230 VAC	10 / 8 W	100-120 / 200-240	2000 / 1400	66 / 53	27	0.17 / 0.13

\*PQ Airflow Data specifications are for 60 Hz operation

Dual Voltage Wiring Diagram 115VAC



Dual Voltage Wiring Diagram 230VAC

