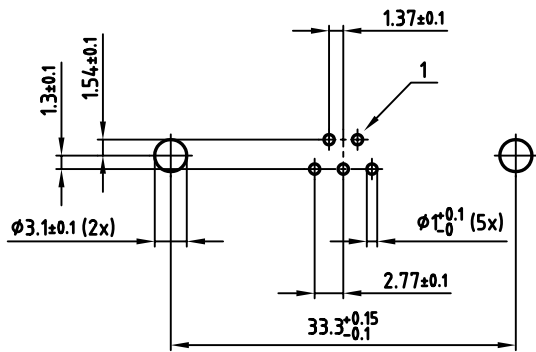
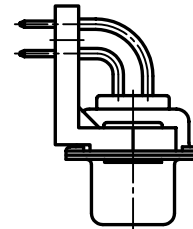
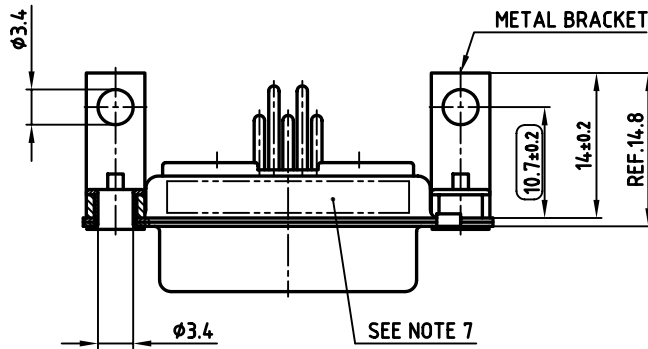
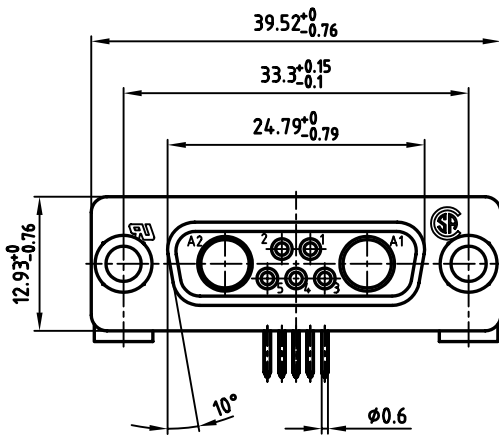
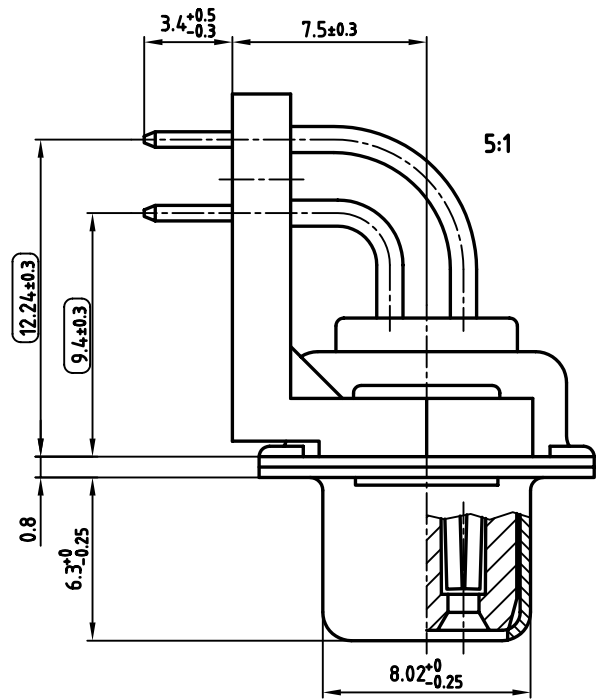


P.C.B. HOLE DRILLINGS



used for: D-SUB COMBINATION



NOTES:

1. METALSHELLS: STEEL; min. 320µ" TIN
2. INSULATORS: PBT GF UL 94 V-0, GREEN
3. SIGNAL CONTACTS: COPPER ALLOY  
PLATING: 8µ" HARD GOLD OVER min. 50µ" NICKEL
4. NO CONTACTS ON POS. A1 + A2
5. METAL BRACKET: DIE CASTING; min. 320µ" TIN over 80µ" NICKEL
6. RIVETED INSERT: COPPER ALLOY; TIN PLATED
7. CONNECTOR IS PART MARKED: 3007W2SAU99S90A CONEC ABC
8.    = CHECK DIMENSION

Directive 2002/95/EC  
"RoHS"  
Compliant

APPROVAL * FREIGABE * DEBLOCAGE * AUTORIZACION * APPROVAL	
CUSTOMER APPROVAL DATE:	
NAME:	TITLE:
COMPANY NAME:	
APPROVAL * FREIGABE * DEBLOCAGE * AUTORIZACION * APPROVAL	

THIS DRAWING MAY NOT BE COPIED OR REPRODUCED IN ANY WAY, AND MAY NOT BE PASSED ON TO A THIRD PARTY, WITHOUT WRITTEN PERMISSION. OWNERSHIP AND COPYRIGHT OF CONEC GmbH DO NOT ALTER CAD DRAWING BY HAND

rev.	description	date	name

tolerance	dim. in mm	scale: 2:1 (5:1)
material:	SEE NOTES	material:
2004 date	name	title:
drawn 27.07.	Lehmenkühler	<b>D-SUB COMBINATION FEMALE 90°</b>
appd. 27.07.	Mickenbecker	7W2S
norm		with riveted insert and metal bracket
d-old		dwg no: AutoCAD 2004 DIN-A
<b>CONEC</b>		13K1A1224
		part no: 3007W2SAU99S90A
		3 sh: 1/1