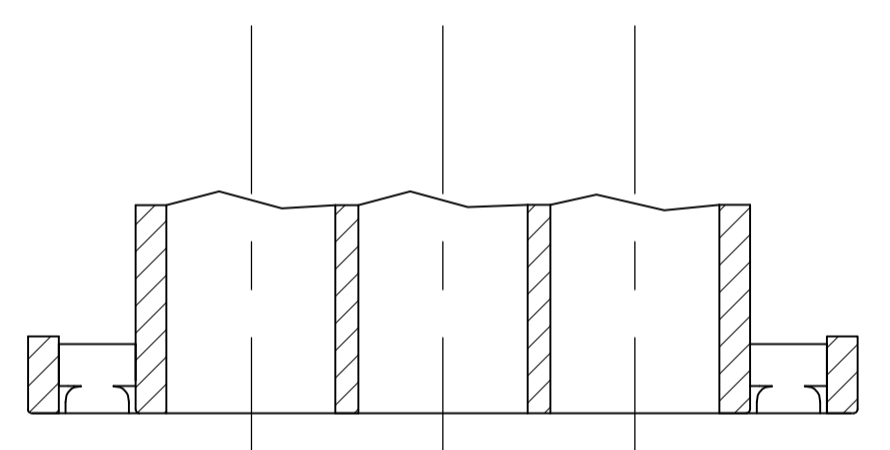
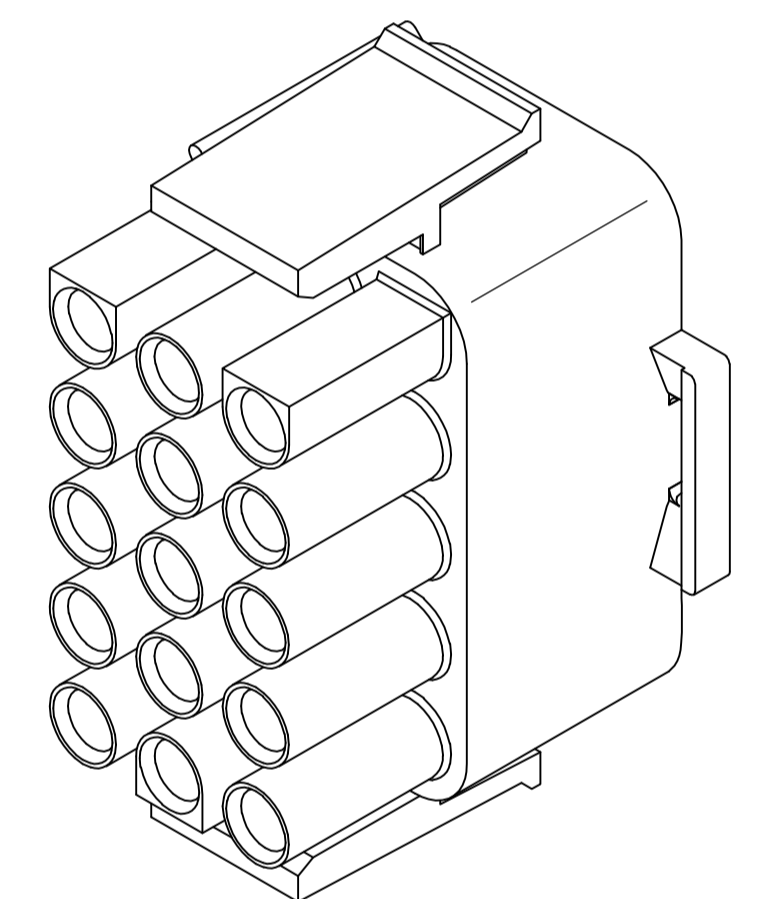
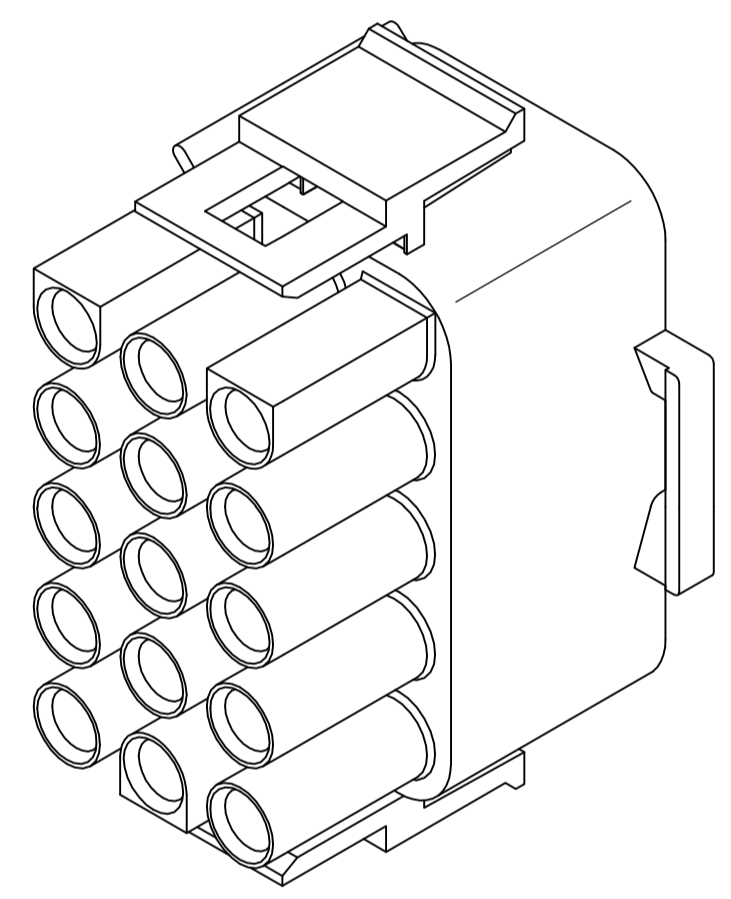
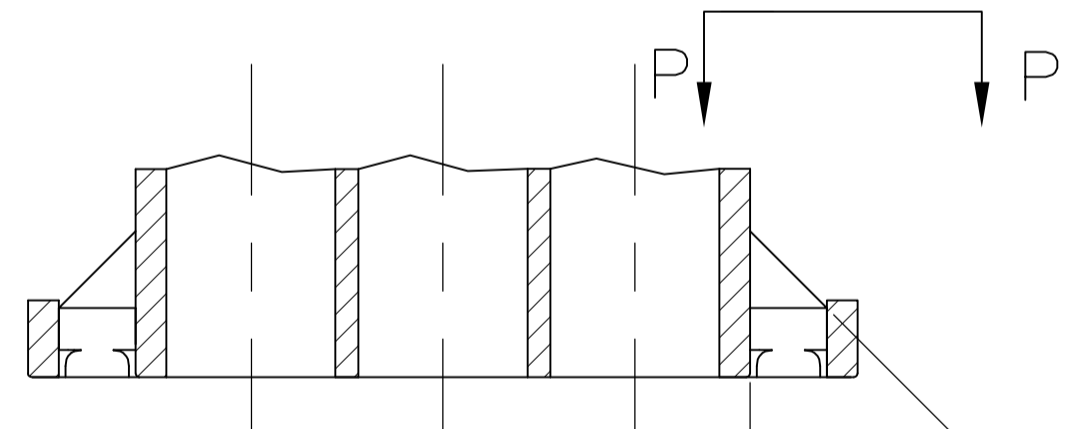


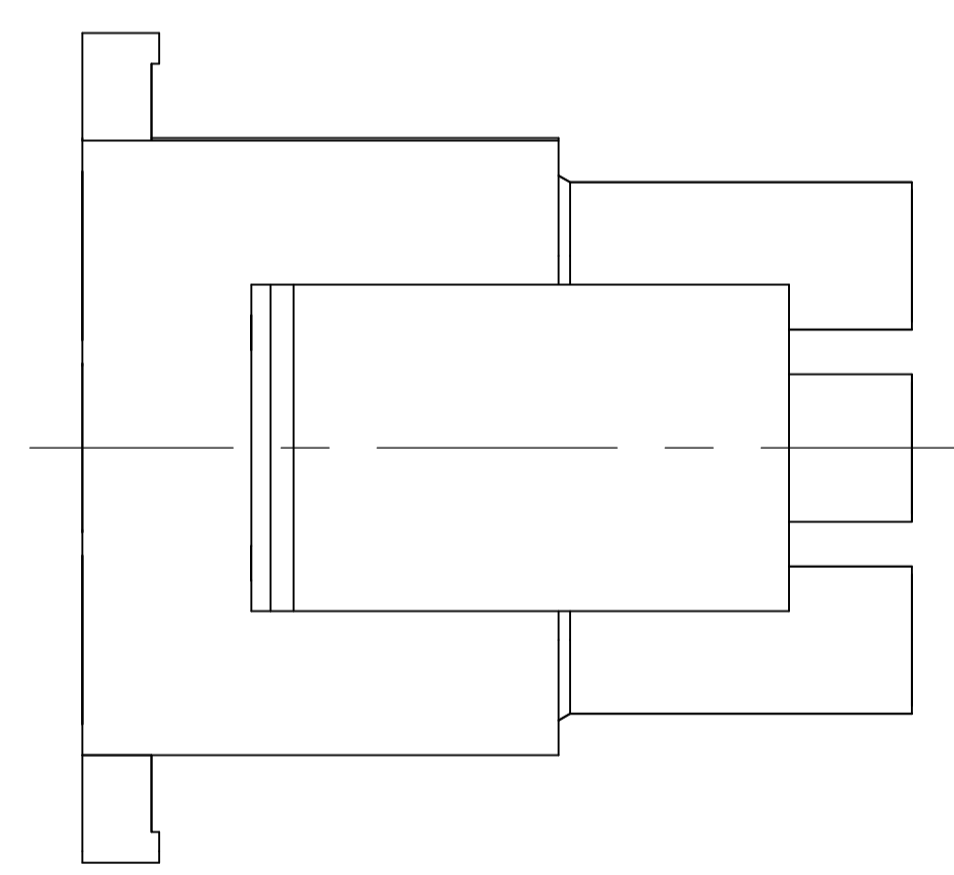
- MATES WITH APPROPRIATE UNIVERSAL MATE-N-LOK™ CAP OR HEADER.
 - SMALL NICKS ARE PERMITTED ON THE CIRCUIT TOWERS WHICH COULD INCREASE THE INITIAL HOUSING MATING FORCE BY UP TO 4.4 NEWTONS [1.0 LBS]. NO INDIVIDUAL NICKED TOWER SHALL INCREASE THIS FORCE BY OVER 2.2 NEWTONS [.5 LBS].
- △3 DIMENSION INDICATED IS AS MOLDED. ADDITIONAL GROWTH DUE TO SUBSEQUENT MOISTURE ABSORPTION MAY OCCUR.
 - △4 FOUR RIBS EQUALLY SPACED, NO SPECIFIC ORIENTATION. OR SIX RIBS EQUALLY SPACED, NO SPECIFIC ORIENTATION, OPTIONAL.
 - △5 NOT MANUFACTURED IN U.S.
 - △6 UNDERWRITERS RECOGNIZED COMPONENT LOGO AND CSA CERTIFICATION LOGO TO BE LOCATED ONCE ON EACH SIDE OF HOUSING.



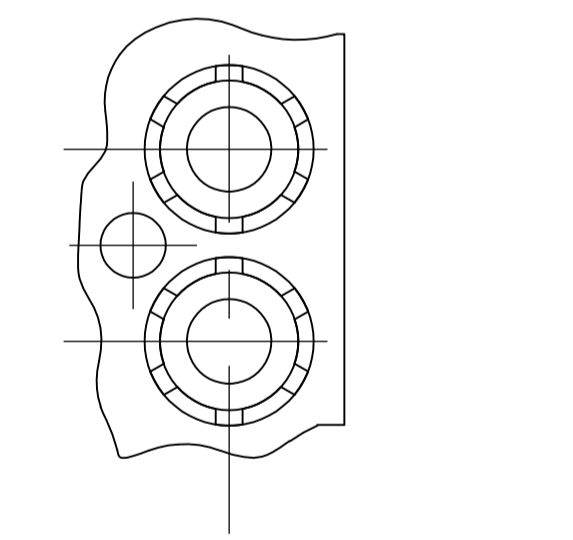
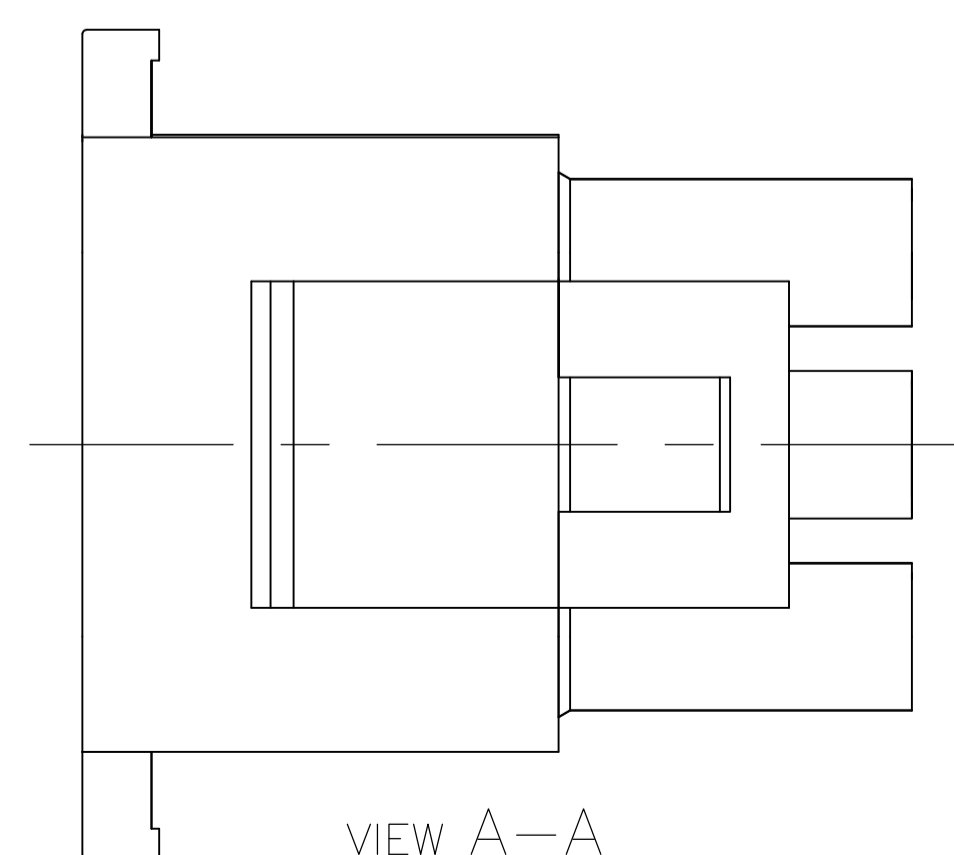
PARTIAL SECTION C-C



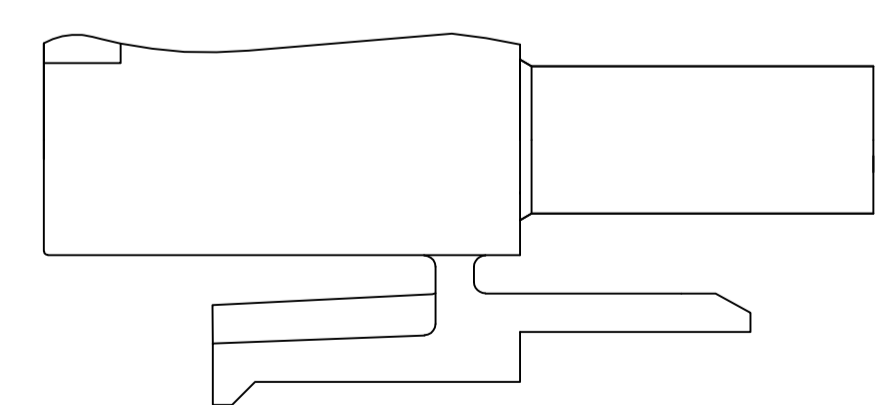
PARTIAL SECTION C-C
OPTIONAL CONSTRUCTION



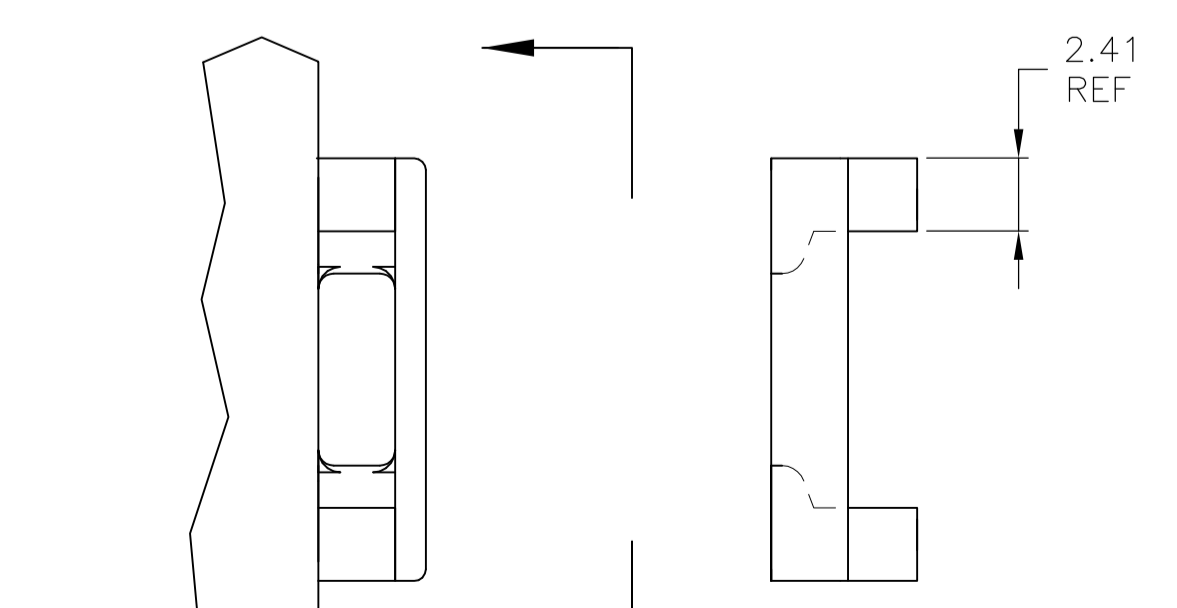
VIEW A-A
350736-4 ONLY



PARTIAL DETAIL D
OPTIONAL CONSTRUCTION



DETAIL B
350736-4 ONLY



VIEW P
OPTIONAL CONSTRUCTIONS

350736-4 3-DIMENSIONAL MODEL
NTS

3-DIMENSIONAL MODEL
NTS

BLACK	1-350736-9
GRAY	1-350736-8
BLUE	1-350736-6
GREEN	1-350736-5
YELLOW	1-350736-4
ORANGE	1-350736-3
RED	1-350736-2
BROWN	1-350736-1
△	350736-4
NATURAL	350736-1
COLOR	PART NUMBER

METRIC

THIS DRAWING IS A CONTROLLED DOCUMENT.

DIMENSIONS:	TOLERANCES UNLESS OTHERWISE SPECIFIED:	DWN	K. WHITAKER	20FEB92
mm	0. PLC ± -	CHK	R. SWING	20FEB92
	1. PLC ± -	APVD	D. SELF	24FEB92
	2. PLC ± 0.13	NAME		
	3. PLC ± -	PRODUCT SPEC		
	4. PLC ± -	APPLICATION SPEC		
	ANGLES ± 0.30°	SIZE	CAGE CODE	DRAWING NO
MATERIAL	FINISH	WEIGHT		RESTRICTED TO
NYLON,UL 94V-0			A1	00779
CUSTOMER DRAWING		SCALE	4:1	SHEET 1 of 1

STE TE Connectivity

PLUG,
15 CIRCUIT,
UNIVERSAL MATE-N-LOK™

350736-4