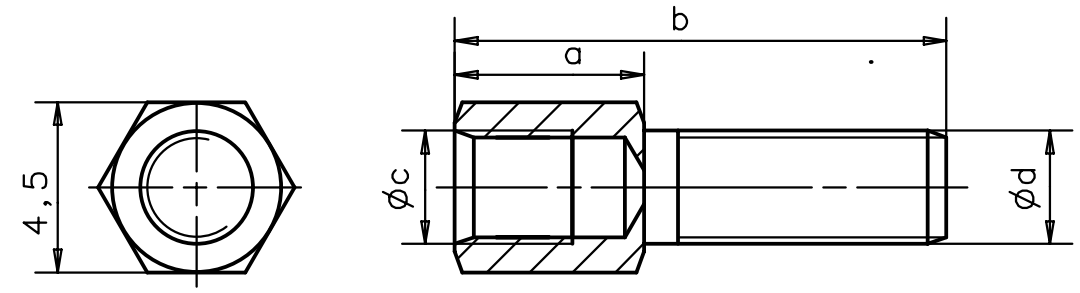
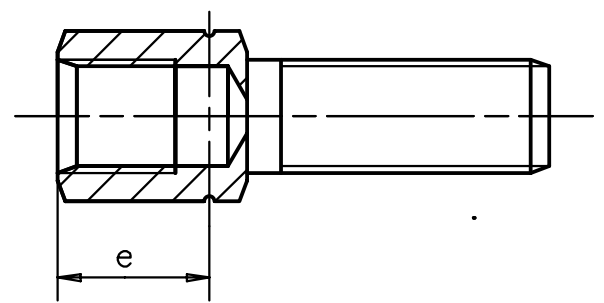


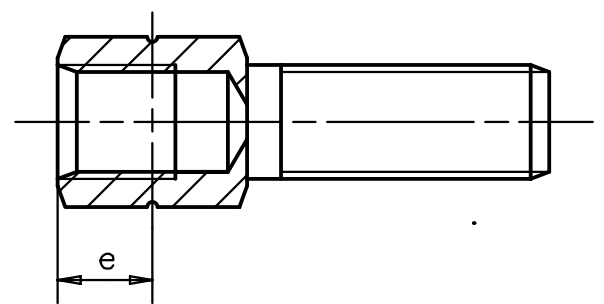
SCREW-LOCK  
UNC 4-40 / UNC 4-40



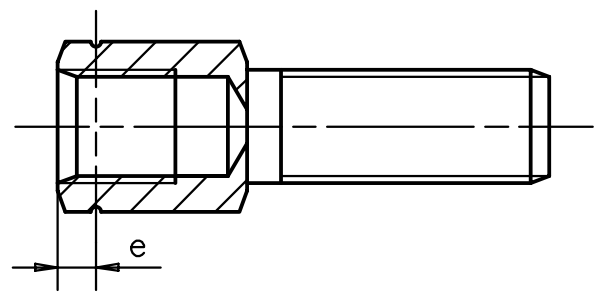
UNC 4-40 / M3



M3 / M3





M3 / UNC 4-40



PART NUMBER			SCREW-LOCK DIMENSIONS					
REFERENCE	INDEX (packaging)							
	1 bag of 100 parts	1 bag of X pieces	1 bag of 500 pieces			4-40 UNC 2B / M3-6H	4-40 UNC 2A / M3-6g	groove
	00	58	72	a	b	phi_c	phi_d	e
0967 000 9972	X	X		6.2	11	UNC	UNC	-
0967 000 9974	X			6.2	11	UNC	M3	4.1
0967 001 9941		X		5	13	UNC	UNC	-
0967 001 9947	X	X		5	13	M3	M3	2.5
0967 001 9954		X		5	13	UNC	M3	4.1
0967 001 9956		X		5	11	UNC	UNC	-
0967 001 9960		X		5	18	UNC	UNC	-
0967 001 9974	X			6.2	11	M3	M3	-
0967 001 9976	X			6.2	11	M3	UNC	0.9

Alle Rechte vorbehalten/ All rights reserved

			Detail.	Dat.	Name	 All Dim. in mm Orig. Size DIN A 3	female SCREW-LOCK	Maßstab/ Scale
			Insp.	18.07.97	MF			5:1
			Stand.					
23231	28.07.98	PP	HARTING				TB 0967 00X 99XX	Blatt/ Page
21221	18.07.97	MF	F-95972 Paris					2/2
Mod.	Dat.	Name						Sub.