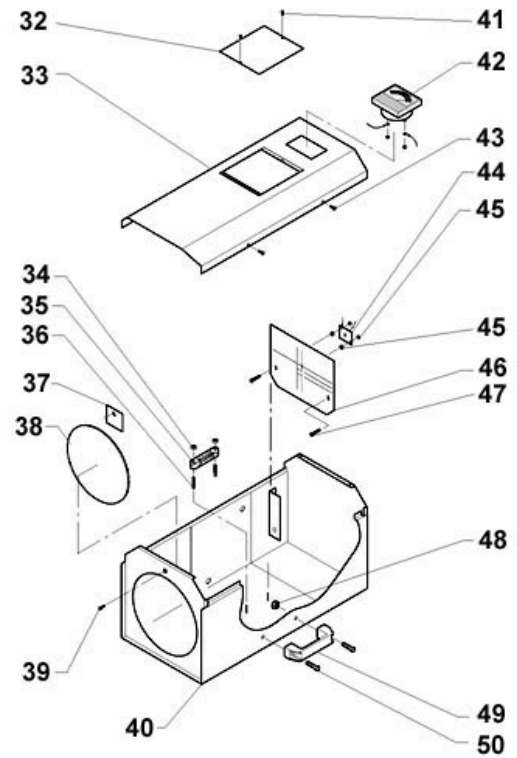
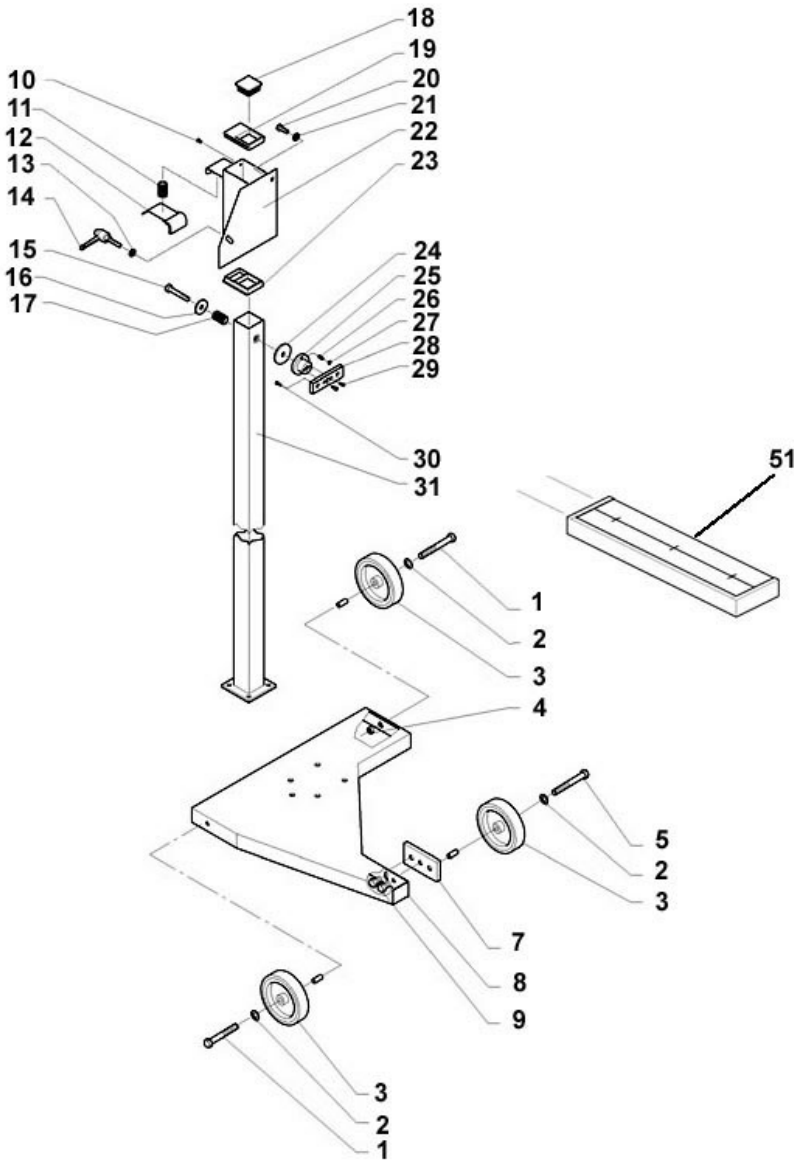




Parts Information:
**Workshop Headlamp Beam Setter with 3
Wheels**
Model No: HBS2001



NOTE: It is our policy to continually improve products and as such we reserve the right to alter data, specifications and component parts without prior notice.

IMPORTANT: No liability is accepted for incorrect use of product.

WARRANTY: Guarantee is 12 months from purchase date, proof of which will be required for any claim.

Sealey Group, Kempson Way, Suffolk Business Park, Bury St Edmunds, Suffolk. IP32 7AR



01284 757500



01284 703534



sales@sealey.co.uk



www.sealey.co.uk



Parts Information:
**Workshop Headlamp Beam Setter with 3
Wheels**
Model No: HBS2001

Item	Part No.	Description
1	TCNA2010011	SCREW M8X60MM
2	FWM8.S	FLAT WASHER M8 SINGLE
--	TCNR0010001	WHEEL, FIXED (148x8x38) (NOT SHOWN)
3	TCNR0010011	WHEEL 129X43X15
4	SN8.S	STEEL NUT M8 ZINC DIN934 (SINGLE)
5	SS850.S	HEX HEAD SET SCREW M8x50mm SINGLE
--	SCB1040.S	SOCKET CAP BOLT ZINC M10X40 (NOT SHOWN)
7	TC020010091	PLATE FOR REGULATION WHEEL
8	TC020010001	TRIANGULAR BASE
9	TCNA0010025	SCREW (M8x16)
10	TCNA4010005	RD HEAD S/T SCREW M3.8 X 12
11	TC026010011	SPRING
12	TC025010135	SPRING PUSHER (COMPLETE)
13	FWM8.S	FLAT WASHER M8 SINGLE
14	TCNR5020009	CLUTCH LEVER M8x20
15	SS1080.S	HEX HEAD SET SCREW M10x80mm SINGLE
16	RW1038.S	REPAIR WASHER M10x38 (SINGLE)
17	TC025020009	BRAKE SPRING
18	TCNR5020046	PLUG
19	TC025010130	BRAKE, VSS
20	SS825.S	HEX HEAD SET SCREW M8x25mm SINGLE
21	FWM8.S	FLAT WASHER M8 SINGLE
22	TC025010005	VERTICAL SLIDING SYSTEM
23	TC025010130	BRAKE, VSS
24	TC025010123	PVC WASHER
25	TC025010121	COMPASS FOR MIRROR VISOR
26	TCNA3010005	DOWEL M5X14

Item	Part No.	Description
27	NLN5.S	NYLOC NUT M5 ZINC DIN 985 (SINGLE)
28	TC025010122	PLATE FOR MIRROR VISOR
29	SCB412.S	SOCKET HEAD CAP SCREW M4x12
30	SCB416.S	SOCKET CAP BOLT ZINC M4X16
31	TC020010092	COLUMN H.1650
32	TC020310007	PLEXIGLASS COVER
33	TC022010112	STEEL COVER
34	SN4.S	STEEL NUT M4 ZINC DIN934 (SINGLE)
35	TC020010038	SPIRIT LEVEL
36	TC020010037	SPRING FOR SPIRIT LEVEL
37	TC020010238	PLATE
38	TC025030014	GLASS 200MM DIA
39	TCNA4010008	SELF TAPPING SCREW 3.5X9.5 PAN POZI BZP
40	TC022010113	OPTICAL BOX(ROUNDED CORNERS)
41	TCNA4010030	CSK HEAD S/T SCREW M2.8 X 10
42	TC020020053	LUXMETER (0/240)
43	TCNA4010006	SCREW 3.9X9.5MM
44	TC020030036	WIRING HARNESS
45	SN3.S	STEEL NUT M3 ZINC DIN934 (SINGLE)
46	TC027010037	INNER PANEL (OLD TYPE - PRE 09/2005)
--	TC027010056	AIMING SCREEN***FOR HIGH VEHICLES*** (NOT SHOWN)
47	TCNA1010005	SCREW M4X16
48	NLN6.S	NYLOC NUT M6 ZINC DIN 985 (SINGLE)
49	TC025030011	BLACK HANDLE
50	TCNA0010009	SCREW M6X16MM
51	TC025020011	MIRROR VISOR

NOTE: It is our policy to continually improve products and as such we reserve the right to alter data, specifications and component parts without prior notice.

IMPORTANT: No liability is accepted for incorrect use of product.

WARRANTY: Guarantee is 12 months from purchase date, proof of which will be required for any claim.

Sealey Group, Kempson Way, Suffolk Business Park, Bury St Edmunds, Suffolk. IP32 7AR



01284 757500



01284 703534



sales@sealey.co.uk



www.sealey.co.uk