

Reversing starter electronic switching electr. overload protection up to 5.5 kW/400 V;4.0A to 12A Option: 3DI/LC module PROFlenergy



Figure similar

Product brand name	SIMATIC
Product category	Motor starter
Product type designation	ET 200SP

General technical data	
Equipment variant acc. to IEC 60947-4-2	3
Product function	Reversing starter
<ul style="list-style-type: none"> on-site operation 	Yes
<ul style="list-style-type: none"> Intrinsic device protection 	Yes
<ul style="list-style-type: none"> Remote firmware update 	Yes
<ul style="list-style-type: none"> for power supply Reverse polarity protection 	Yes
Power loss [W] for rated value of the current	
<ul style="list-style-type: none"> at AC in hot operating state per pole 	3 W
Insulation voltage	
<ul style="list-style-type: none"> rated value 	500 V
Degree of pollution	2
Overvoltage category	III
Surge voltage resistance rated value	6 kV

maximum permissible voltage for safe isolation	
<ul style="list-style-type: none"> • between main and auxiliary circuit 	500 V
Protection class IP	IP20
Shock resistance	6g / 11 ms
Vibration resistance	15 mm to 6 Hz; 2g to 500 Hz
Mechanical service life (switching cycles)	
<ul style="list-style-type: none"> • of the main contacts typical 	30 000 000
Type of assignment	1
Usage category	
<ul style="list-style-type: none"> • acc. to IEC 60947-4-2 	AC53a: 12A: (8-0,5: 72-32)
Equipment marking	
<ul style="list-style-type: none"> • acc. to DIN 40719 extended according to IEC 204-2 acc. to IEC 750 	Q
<ul style="list-style-type: none"> • acc. to DIN EN 61346-2 	A
Product function	
<ul style="list-style-type: none"> • direct start 	Yes
<ul style="list-style-type: none"> • reverse starting 	Yes
Product component Motor brake output	No
Product function Short circuit protection	Yes
Design of short-circuit protection	fuse
Trip class	CLASS 5 and 10 adjustable
Maximum short-circuit current breaking capacity (Icu)	
<ul style="list-style-type: none"> • at 400 V rated value 	55 kA
<ul style="list-style-type: none"> • at 500 V rated value 	55 kA
Maximum short-circuit current breaking capacity (Icu) in the IT network	
<ul style="list-style-type: none"> • at 400 V rated value 	55 kA
<ul style="list-style-type: none"> • at 500 V rated value 	55 kA
Electromagnetic compatibility	
EMC emitted interference	
<ul style="list-style-type: none"> • acc. to IEC 60947-1 	class A
EMI immunity acc. to IEC 60947-1	Class A
Conducted interference	
<ul style="list-style-type: none"> • due to burst acc. to IEC 61000-4-4 	2 kV
<ul style="list-style-type: none"> • due to conductor-earth surge acc. to IEC 61000-4-5 	2 kV
<ul style="list-style-type: none"> • due to conductor-conductor surge acc. to IEC 61000-4-5 	1 kV
<ul style="list-style-type: none"> • due to high-frequency radiation acc. to IEC 61000-4-6 	Class A
Field-bound parasitic coupling acc. to IEC 61000-4-3	10 V/m
Electrostatic discharge acc. to IEC 61000-4-2	8 kV air discharge

Conducted HF-interference emissions acc. to CISPR11	Class A for industrial environment
Field-bound HF-interference emission acc. to CISPR11	Class A for industrial environment

Safety related data	
MTBF	46 y
Safe state	Load circuit open
Protection against electrical shock	finger-safe

Inputs/ Outputs	
Number of digital inputs	4
<ul style="list-style-type: none"> Note 	4 via 3DI/LC module

Response times	
Switch-on delay time	20 ms
Off-delay time	35 ... 50 ms

Main circuit	
Number of poles for main current circuit	3
Design of the switching contact	Hybrid
Adjustable pick-up value current of the current-dependent overload release	4 ... 12 A
Minimum load [% of IM]	20 %
Type of the motor protection	solid-state
Operating voltage	
<ul style="list-style-type: none"> rated value 	48 ... 500 V
Operating frequency 1 rated value	50 Hz
Operating frequency 2 rated value	60 Hz
Relative symmetrical tolerance of the operating frequency	5 %
Operating range relative to the operating voltage at AC	
<ul style="list-style-type: none"> at 50 Hz 	48 ... 500 V
Operating current	
<ul style="list-style-type: none"> at AC at 400 V rated value 	12 A
Ampacity when starting maximum	100 A
Operating power for three-phase motors at 400 V at 50 Hz	2.2 ... 5.5 kW

Supply voltage	
Type of voltage of the supply voltage	DC
Supply voltage 1 at DC rated value	
<ul style="list-style-type: none"> minimum permissible 	20.4 V
<ul style="list-style-type: none"> maximum permissible 	28.8 V
Supply voltage at DC rated value	24 V
Consumed current for rated value of supply voltage	

<ul style="list-style-type: none"> • in standby mode • during operation • when switching on 	<p>85 mA</p> <p>140 mA</p> <p>230 mA</p>
Power loss [W] for rated value of supply voltage <ul style="list-style-type: none"> • in switching state OFF with bypass circuit • in switching state ON with bypass circuit 	<p>2 W</p> <p>3.4 W</p>

Installation/ mounting/ dimensions

Mounting position	Vertical, horizontal, flat (observe derating)
Mounting type	pluggable in BaseUnit
Height	142 mm
Width	30 mm
Depth	150 mm
Required spacing <ul style="list-style-type: none"> • with side-by-side mounting <ul style="list-style-type: none"> — upwards — downwards 	<p>50 mm</p> <p>50 mm</p>

Ambient conditions

Installation altitude at height above sea level <ul style="list-style-type: none"> • maximum 	4 000 m; For derating see manual
Ambient temperature <ul style="list-style-type: none"> • during operation • during operation maximum • during storage • during transport 	<p>-25 ... +60 °C</p> <p>For derating see manual</p> <p>-40 ... +70 °C</p> <p>-40 ... +70 °C</p>
Environmental category during operation acc. to IEC 60721	3K6 (no formation of ice, no condensation), 3C3 (no salt mist), 3S2 (sand must not get into the devices)
Relative humidity during operation	10 ... 95 %
Air pressure <ul style="list-style-type: none"> • acc. to SN 31205 	900 ... 1 060 hPa

Communication/ Protocol

Protocol is supported <ul style="list-style-type: none"> • PROFIBUS DP protocol • PROFINET protocol 	<p>Yes</p> <p>Yes</p>
Product function Bus communication	Yes
Protocol is supported <ul style="list-style-type: none"> • AS-interface protocol 	No
Product function <ul style="list-style-type: none"> • supports PROFIenergy measured values • supports PROFIenergy shutdown 	<p>Yes</p> <p>Yes</p>
Address space memory of address range <ul style="list-style-type: none"> • of inputs 	4 byte



• of outputs	2 byte
Type of electrical connection	
• of the communication interface	Plug contact to Base Unit

Connections/Terminals

Type of electrical connection	
• 1 for digital input signals	Pluggable module - accessory
Type of electrical connection	
• for main energy infeed	Plug contact to Base Unit
• for load-side outgoing feeder	Plug contact to Base Unit
• for supply voltage line-side	Plug contact to Base Unit
Wire length for motor unshielded maximum	200 m

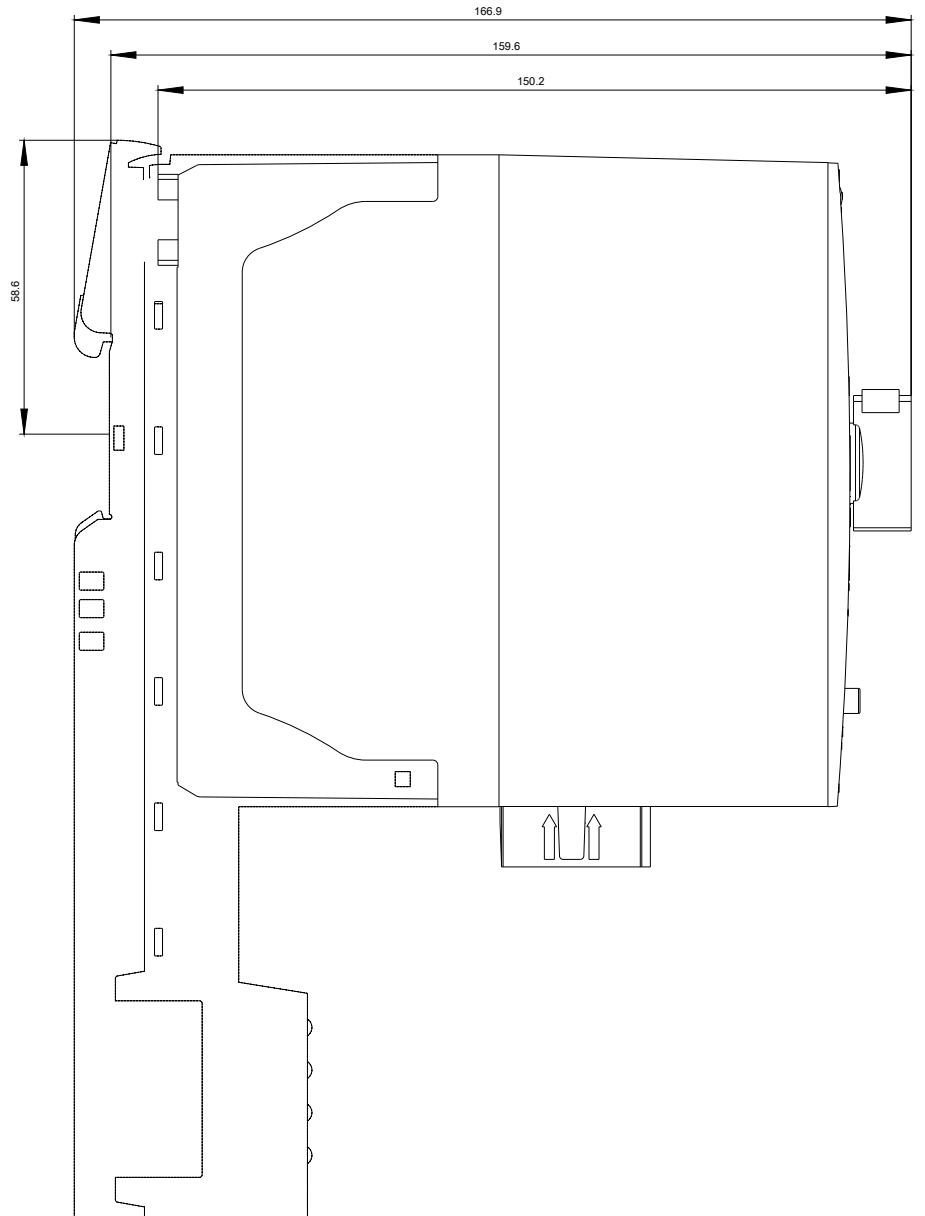
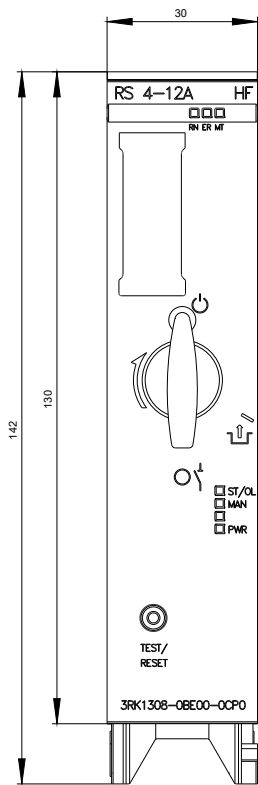
Certificates/approvals

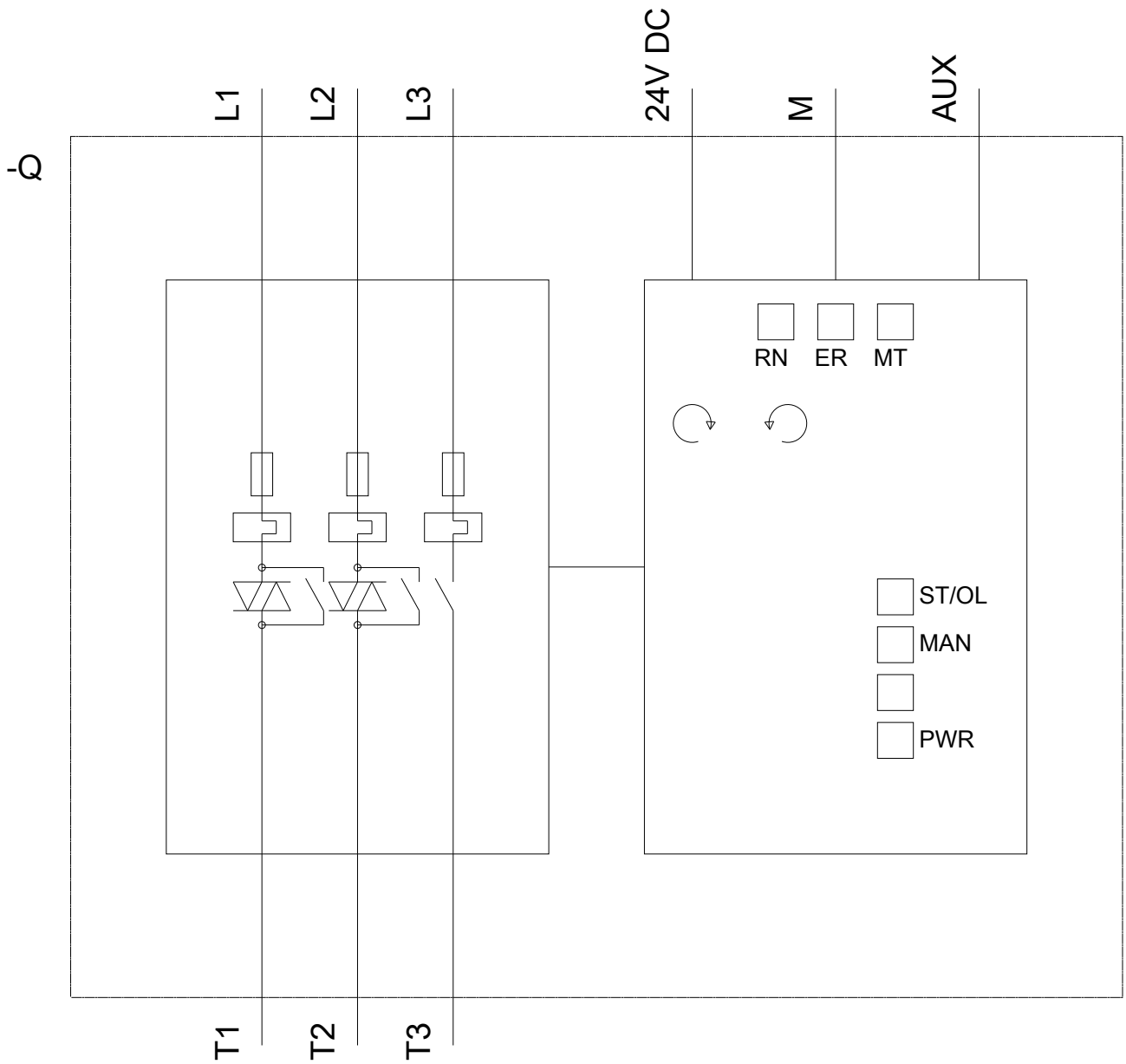
General Product Approval	Declaration of Conformity	Test Certificates
 CCC	 CSA	 UL
 EAC		 EG-Konf.
Type Test Certificates/Test Report		

Shipping Approval	other
 ABS	 LRS
	Confirmation
	PROFINET-Certification

Further information

- Information- and Downloadcenter (Catalogs, Brochures,...)**
<http://www.siemens.com/industrial-controls/catalogs>
- Industry Mall (Online ordering system)**
<https://mall.industry.siemens.com/mall/en/en/Catalog/product?mlfb=3RK1308-0BE00-0CP0>
- Cax online generator**
<http://support.automation.siemens.com/WW/CAXorder/default.aspx?lang=en&mlfb=3RK1308-0BE00-0CP0>
- Service&Support (Manuals, Certificates, Characteristics, FAQs,...)**
<https://support.industry.siemens.com/cs/ww/en/ps/3RK1308-0BE00-0CP0>
- Image database (product images, 2D dimension drawings, 3D models, device circuit diagrams, EPLAN macros, ...)**
http://www.automation.siemens.com/bilddb/cax_de.aspx?mlfb=3RK1308-0BE00-0CP0&lang=en





last modified:

10/06/2017