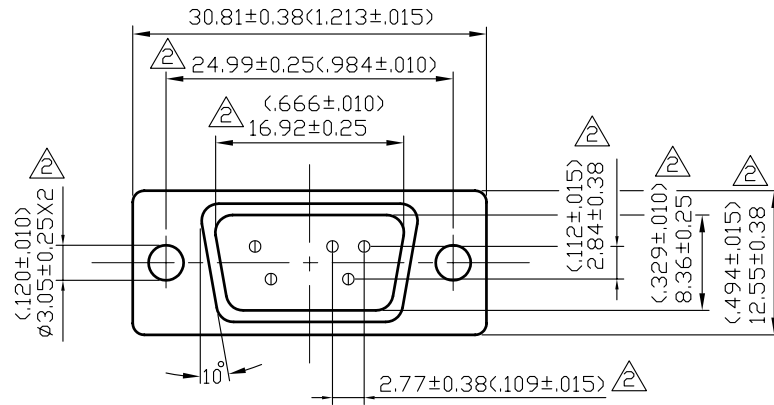
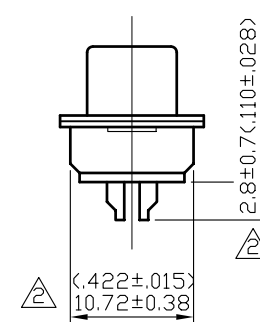
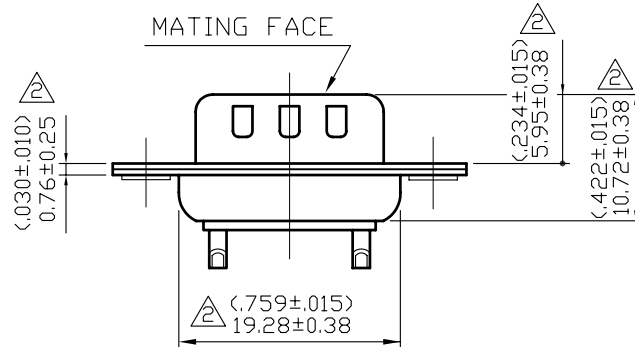


NO	DESCRIPTION	DATE
1	ADD MIS PART NO.	04.01.04
	ADD DESCRIPTION	
	24.99±0.13 → 24.99±0.25	
	16.92±0.13 → 16.92±0.25	
	∅3.05 → ∅3.05±0.25	
	8.36 → 8.36±0.25	
	12.55 REF. → 12.55±0.38	
	2.77 → 2.77±0.38	
	19.28 REF. → 19.28±0.38	10.02.07
	1 → 0.76±0.25	
	(5.97) → 5.95±0.38	
	10.72 REF. → 10.72±0.38	
	11 REF. → 10.72±0.38	
	3.3 REF. → 2.8±0.7	
	2.84 → 2.84±0.38	
	MIS PART NO. → P/N	



CONTACT TYPE
 COLOR OF INSULATION
 PLATING OF CONTACT
 SOLDER TERMINATIONS
 WORKING VOLTAGE
 CONTACT RESISTANCE
 MATING CYCLES
 PLUG

FORMED CONTACT
 WHITE PBT GLASSFIBRE REINFORCED
 GOLD <5 MICRO INCHES>
 TIN
 500V AC AT SEA LEVEL
 10m OHM MAX.
 150 TIMES
 DIMPLED



P/N: 544-3727

APPROVED

by _____ DATE: _____



DESCRIPTION		D-SUB WITH 9-PIN MALE CONNECTOR BY FORMING						
製圖	DRAWN	TOLERANCE	品名	TITLE	DATE	版次	REV.	
								∅50-0009P-F
檢圖	CHECK	TOLERANCE	單位	UNIT	DWG.NO.	55-0042		
								.XX ±0.1
認定	APPROVAL	TOLERANCE	比例	SCALE				
								.XXX ±0.05
		ANGLE	±5°					