

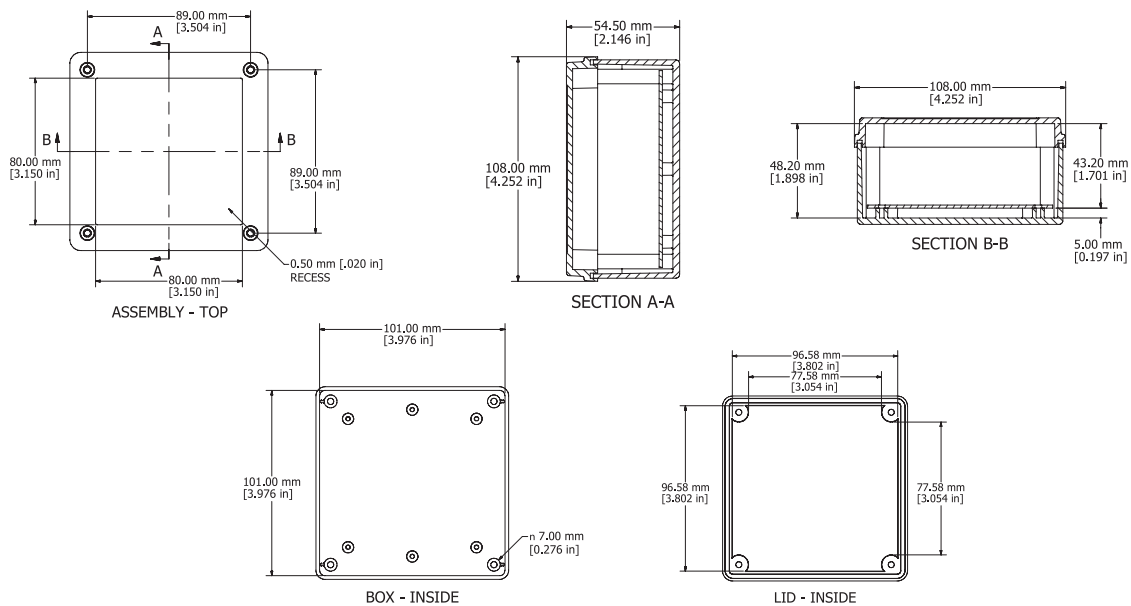
Features:



- Designed to house P.C. boards - sealed from dust and water (not for outdoor use)
- Molded in light grey - general purpose ABS plastic with a light texture
- Two part - styled lid construction. Top half includes smooth recessed area for membrane, label or silk screen
- P.C. board standoffs are molded into the bottom (two smallest sizes) and molded into both halves of the enclosure. Four short M3 self tapping screws included
- Gasket lid with two piece "tongue & groove" construction provides protection against access of oil, dust and water
- Includes four - M4 assembly screws
- Lid screws are self capturing

Contains:

- Lid Screws: M4 × 22 self tap, 304 Stainless
- Gasket : EDPM Cord
- Circuit Board Screws, 4 Supplied (M3 self tap)
- Suggested Lid Screw Torque: 30 oz f-in (21 cN-m)



Part Number Table

Description	Part Number
ABS Plastic Enclosures	MC001288

Important Notice : This data sheet and its contents (the "Information") belong to the members of the AVNET group of companies (the "Group") or are licensed to it. No licence is granted for the use of it other than for information purposes in connection with the products to which it relates. No licence of any intellectual property rights is granted. The Information is subject to change without notice and replaces all data sheets previously supplied. The Information supplied is believed to be accurate but the Group assumes no responsibility for its accuracy or completeness, any error in or omission from it or for any use made of it. Users of this data sheet should check for themselves the Information and the suitability of the products for their purpose and not make any assumptions based on information included or omitted. Liability for loss or damage resulting from any reliance on the Information or use of it (including liability resulting from negligence or where the Group was aware of the possibility of such loss or damage arising) is excluded. This will not operate to limit or restrict the Group's liability for death or personal injury resulting from its negligence. Multicomp Pro is the registered trademark of Premier Farnell Limited 2019.