

DIN-Rail Mounting Clip

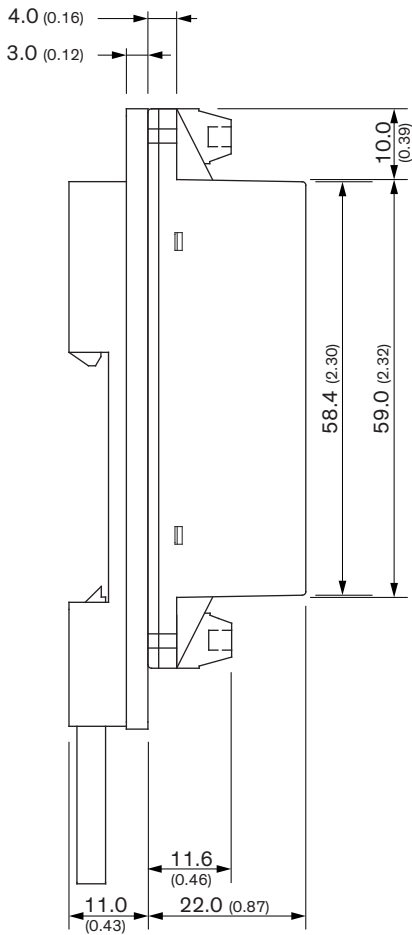
TMDC-MK2

Order Code	TMDC-MK2
Compatible with	TMDC 10, TMDC 10H
Package content	1x Aluminum Plate 1x DIN-Rail Clip 4x Screw M2x6, round head 4x Screw M3x8, round head
Material	Aluminum, Polyoxymethylene
Weight	58 g
RoHS Exemptions	No Exemptions



Outline Dimensions

Mechanical Drawing



Dimensions in mm (inch)

Exploded View

