

**Pipe and tubing cutters**



## Pipe and tubing cutters

Technical data

**FESTO**

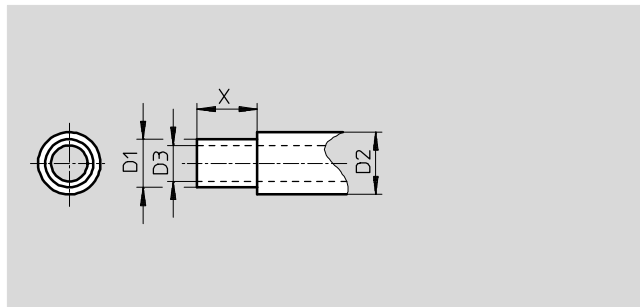
### Tubing cutter PAN-VOS

for flame retardant PAN-V0 tubing

Note on materials:

RoHS-compliant

Colour: grey



Before the PAN-V0 plastic tubing is inserted into the QS-V0 push-in fitting, the tubing's PVC sheath must be

cut to length X. The integrated stop in the PAN-VOS tubing cutter ensures that the sheath

is always cut to the correct length X. The blade design prevents damage to the inner polyamide tubing.

Dimensions and ordering data							
Push-in connector	D1	D2	D3	X	Weight [g]	Part No.	Type
QS-V0	∅	∅	∅				
I.D. 4 mm	4	6	2.5	14.7±1	20	<b>133180</b>	<b>PAN-VOS-4</b>
I.D. 6 mm	6	8	4	15.7±1	20	<b>133181</b>	<b>PAN-VOS-6</b>
I.D. 8 mm	8	10	6	16.7±1	21	<b>133182</b>	<b>PAN-VOS-8</b>
I.D. 10 mm	10	12	7.5	19.2±1	21	<b>133183</b>	<b>PAN-VOS-10</b>
I.D. 12 mm	12	14	9	22.7±1	21	<b>133184</b>	<b>PAN-VOS-12</b>

### Disconnecting pliers ZDS

with cutter, for removing plastic tubing from barbed fittings.

Note on materials:

RoHS-compliant



Ordering data		
	Part No.	Type
for 3 mm tubing	<b>9090</b>	<b>ZDS-PK-3</b>
for 4 mm tubing	<b>9522</b>	<b>ZDS-PK-4</b>

## Pipe and tubing cutters

Technical data

**Connecting pliers ZMS-PK-3/4**  
with cutter, for connecting plastic tubing to barbed fittings.

Note on materials:  
RoHS-compliant



Ordering data		
	Part No.	Type
Connecting pliers	9341	ZMS-PK-3/4

### Pipe cutter ZR

The pipe cutter ZR is used for cutting PQ-PA plastic piping with outside diameters of up to 28 mm to length. It is not suitable for tubing with metal casing.



Ordering data		
	Part No.	Type
Pipe cutter	194592	ZR

### Pipe and tubing cutter ZRS

The pipe and tubing cutter ZRS is used for cutting plastic and nitrile rubber tubing with outer diameters of up to 20 mm, with or without textile insert. It is not suitable for tubing with metal casing. It also has an integrated safety catch to prevent unauthorised opening.

Note on materials:  
RoHS-compliant



Ordering data		
	Part No.	Type
Pipe and tubing cutter with 2 spare blades	7658	ZRS
10 spare blades for pipe and tubing cutter	218606	ZRS 10PACK.

# Festo - Your Partner in Automation



**1 Festo Inc.**  
5300 Explorer Drive  
Mississauga, ON L4W 5G4  
Canada

**Festo Customer Interaction Center**  
Tel: 1 877 463 3786  
Fax: 1 877 393 3786  
Email: [customer.service.ca@festo.com](mailto:customer.service.ca@festo.com)

**2 Festo Pneumatic**  
Av. Ceylán 3,  
Col. Tequesquináhuac  
54020 Tlalneantla,  
Estado de México

**Multinational Contact Center**  
01 800 337 8669  
[ventas.mexico@festo.com](mailto:ventas.mexico@festo.com)

**3 Festo Corporation**  
1377 Motor Parkway  
Suite 310  
Islandia, NY 11749

**Festo Customer Interaction Center**  
1 800 993 3786  
1 800 963 3786  
[customer.service.us@festo.com](mailto:customer.service.us@festo.com)

**4 Regional Service Center**  
7777 Columbia Road  
Mason, OH 45040

Connect with us



[www.festo.com/socialmedia](http://www.festo.com/socialmedia)



[www.festo.com](http://www.festo.com)

Subject to change