

## 2/4-Port USB 3.0 4K DisplayPort KVMP™ Switch for ATC CS1922ATC / CS1924ATC

The ATEN CS1922ATC / CS1924ATC 2/4-Port USB 3.0 4K DisplayPort KVMP™ Switch for ATC is tailor-made for Air Traffic Control scenarios. It supports 2Kx2K resolution, making it perfect for radar monitoring, and also enables constant monitoring of flight information and mission-critical processes.

The Zero-Second Switch function ensures nearly real-time switching without any black screens, providing air traffic controllers instant access to two or four USB / DisplayPort-interfaced ATC computers for crucial operations. Port switching is flexible via pushbuttons, hotkeys, mouse, RS-232 commands, or an optional accessory the remote port selector.

With two lockable DC jacks for power redundancy, the CS1922ATC / CS1924ATC ensures uninterrupted operation and constant availability for mission-critical applications. It aims to greatly minimize or eliminate the risk of downtime.

Patented ATEN technology – Video DynaSync™, and EDID expert™ , combined with DisplayPort 1.2 and video resolutions up to 4K @ 60 Hz, it delivers optimized display resolution with exceptional detail and clarity in all conditions.

The CS1922ATC / CS1924ATC creates a safer environment and enhanced operational efficiency for Air Traffic Control Towers, Approach Control Rooms, and Area Control Centers, specifically tailored the air traffic control industry.



CS1922ATC Front View



CS1922ATC Rear View



CS1924ATC Front View



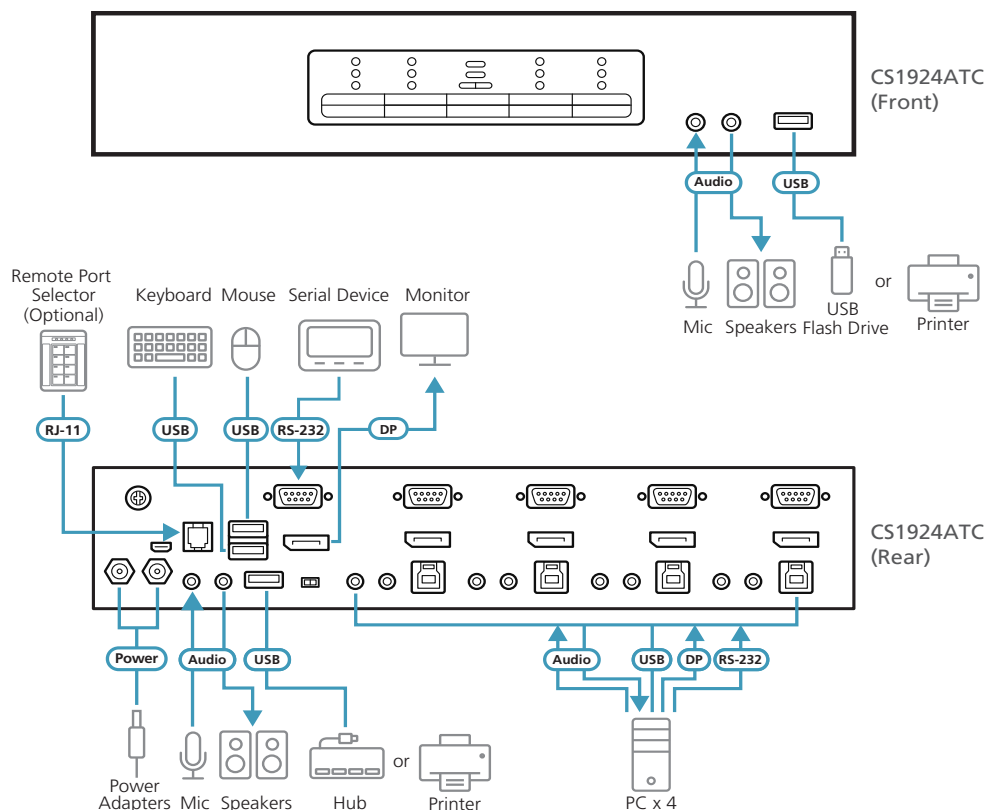
CS1924ATC Rear View



## Features

- One USB / DisplayPort console controls 2/4 DisplayPort computers and shares 2 USB peripherals
- Supports 2048 x 2048 @ 60 Hz screen resolutions dedicated for radar monitoring; maximum resolution up to 4096 x 2160 @ 60 Hz
- Zero-Second Switch – provides continuous video stream and real-time switching
- Supports power failover – 2 DC jacks for power redundancy to ensure constant availability for mission-critical applications
- Computer Selection via front panel pushbuttons, hotkeys, mouse, RS-232 commands, and remote port selector
- Video DynaSync™ – exclusive ATEN technology eliminates boot-up display problems and optimizes resolutions when switching between ports
- EDID Expert™ – smooth power-up, high-quality display and use of the best video resolution across different screens
- Supports serial port switching for legacy devices
- Built-in 2-port USB 3.1 Gen 1 hub with SuperSpeed 5 Gbps data transfer rates
- DisplayPort 1.2, and HDCP compliant
- Supports HD audio\*
- Console mouse port emulation / bypass feature supports most mouse drivers and multifunction mice
- Console keyboard emulation / bypass feature supports most multimedia keyboards
- Multilingual keyboard mapping – supports English, French, Japanese, and German keyboards
- Power on detection
- Auto scan
- Firmware upgradable

Note: HD audio through DisplayPort cannot be switched independently



## Specifications

	CS1922ATC	CS1924ATC
<b>Computer Connections</b>	2	4
<b>Port Selection</b>	Hotkeys, Pushbutton, Mouse, RS232 commands, Remote Port Selector	
<b>Connectors</b>		
Console Ports	2 x USB Type-A Female (Black) 1 x DisplayPort Female (Black) 2 x 3.5mm Stereo Jack Female (Green; 1 x front, 1 x rear) 2 x 3.5mm Stereo Jack Female (Pink; 1 x front, 1 x rear) 1 x DB-9 Male	2 x USB Type-A Female (Black) 1 x DisplayPort Female (Black) 2 x 3.5mm Stereo Jack Female (Green; 1 x front, 1 x rear) 2 x 3.5mm Stereo Jack Female (Pink; 1 x front, 1 x rear) 1 x DB-9 Male
KVM (Computer) Ports	2 x USB3.1 Gen1 Type-B Female (Blue) 2 x DisplayPort Female (Black) 2 x 3.5mm Audio Jack Female (Green) 2 x 3.5mm Audio Jack Female (Pink) 2 x DB-9 Female	4 x USB3.1 Gen1 Type-B Female (Blue) 4 x DisplayPort Female (Black) 4 x 3.5mm Audio Jack Female (Green) 4 x 3.5mm Audio Jack Female (Pink) 4 x DB-9 Female
Power	2 x DC Jack	
USB Hub	2 x USB3.1 Gen1 Type-A Female (Blue; 1 x front panel; 1 x rear panel)	
Remote Port Selector	1 x RJ-11 Female	
Firmware Upgrade	1 x micro USB Female	
<b>Switches</b>		
Selected	3 x Pushbutton	5 x Pushbutton
<b>LEDs</b>		
USB Link	2 (Green)	4 (Green)
Audio	2 (Green)	4 (Green)
KVM	2 (Orange)	4 (Orange)
<b>Emulation</b>		
Keyboard / Mouse	USB	
Video	Up to 4096 x 2160 @ 60 Hz	
Power Consumption	DC 12V: 16.09W	DC 12V: 16.84W
<b>Environmental</b>		
Operating Temperature	0 – 50 °C	
Storage Temperature	-20 – 60 °C	
Humidity	0 – 80% RH, Non-Condensing	
<b>Physical Properties</b>		
Housing	Metal	
Weight	1.86 kg	1.87 kg
Dimensions (L x W x H)	33.50 x 16.10 x 6.55 cm	

### ATEN International Co., Ltd.

3F., No.125, Sec. 2, Datung Rd., Sijhih District., New Taipei City 221, Taiwan  
Phone: 886-2-8692-6789 Fax: 886-2-8692-6767  
www.aten.com E-mail: marketing@aten.com

Product information is subject to change without prior notice.

Released: 07/2023 V1.0

© Copyright 2023 ATEN® International Co. Ltd.  
ATEN and the ATEN logo are registered trademarks of ATEN International Co., Ltd.  
All rights reserved. All other trademarks are the property of their respective owners.

