

- > Port size: G1/8 & G1/4
- > Standard manual override with detend
- > Compact design
- > Common exhaust line



Medium:
Compressed air, filtered lubricated or non lubricated

Operation:
Solenoid operated, indirectly actuated seat valves

Operating pressure:
max. 10 bar (145 psi)

Nominal size:
4 and 7 mm

Port size:
G1/8, G1/4

Mounting position:
Any, but preferably with solenoid vertical

Flow direction:
Fixed

Ambient/Media temperature:
-10°C ... +60 °C (14° .. +140°F)
Depending on solenoid system
Air supply must be dry enough to avoid ice formation at temperatures below +2°C (+35°F).
If installed in the open protect all connections against the penetration of moisture!




Material:
Housing: Aluminium
Pilot flange : Plastic (PBT)
Seals: NBR

Technical data

Symbol	Port size	Nominal size	Actuation/return	Operating pressure (bar)		Flow (l/min)	Switching time (ms)		Manual override	Current draw (W)	Weight (kg)	Dimension No.	Model *
				Min.	Max.		On	Off					
	G 1/8	4	Solenoid/air spring	1,5	10	700	20	20	Standard	< 5	0,30	1	2622000
	G 1/8	4	Solenoid/air spring	2	8	700	19	62	Standard	< 2	0,30	1	2622001
	G 1/4	7	Solenoid/air spring	1,5	10	1400	24	27	Standard	< 5	0,39	1	2622200
	G 1/4	7	Solenoid/air spring	2	8	1400	23	75	Standard	< 2	0,39	1	2622201
	G 1/8	4	Solenoid/Solenoid	1,5	10	700	11	12	Standard	< 5	0,40	2	2622100
	G 1/8	4	Solenoid/Solenoid	2	8	700	13	14	Standard	< 2	0,40	2	2622101
	G 1/4	7	Solenoid/Solenoid	1,5	10	1400	24	27	Standard	< 5	0,62	2	2622300
	G 1/4	7	Solenoid/Solenoid	2	8	1400	24	27	Standard	< 2	0,62	2	2622301

* When ordering please indicate solenoid, voltage and current type (frequency).

Solenoid actuators

	Power consumption		Rated current		Protection class IP/NEMA	Ex-Protection (ATEX-Category)	Temperature Ambient/ Media (°C)	Electrical connection	Weight (kg)	Drawing No.	Circuit diagram No.	Model
	24 V d.c. (W)	230 V a.c. (VA)	24 V d.c. (mA)	230 V a.c. (mA)								
	1,8	—	70	—	IP65 (with connector)	—	-15 ... +50	Connector DIN EN 175301-803, form B *1)	0,1	11	1	3050
	4,8	8,5	70	—	IP65 (with connector)	—	-15 ... +50	Connector DIN EN 175301-803, form B *1)	0,1	11	1	3052
	4,4	8,0	190	—	IP65 (with connector)	—	-15 ... +50	Connector DIN EN 175301-803, form B *1)	0,1	12	1	3030
	1,6	—	30	—	IP65 (with connector)	—	-15 ... +50	Connector DIN EN 175301-803, form A *1)	0,1	12	1	3036
	5,0	—	210	—	IP65 (with connector)	II 2 G Ex mb IIC T4/ T5 Gb II 2 G Ex mb IIC T4 Gb II 2 D Ex mb tb T130°C Db	-20 ... +50	Cable length 3 m	0,3	13	15	3060
	—	5	—	22	IP65 (with connector)	II 2 G Ex mb IIC T4 Gb II 2 D Ex mb tb T130°C Db	-20 ... +50 *2)	Cable length 3 m	0,3	13	15	3061
	2,7	—	115	—	IP65 (with connector)	II 2 G Ex mb IIC T5 Gb II 2 D Ex mb tb T95°C Db	-20 ... +50 *2)	Cable length 3 m	0,3	13	14	3062
	—	2,1	—	9	IP65 (with connector)	II 2 G Ex mb IIC T5 Gb II 2 D Ex mb tb T95°C Db	-20 ... +50 *2)	Cable length 3 m	0,3	13	15	3063

Standard voltages ($\pm 10\%$) 24 V d.c., 230 V a.c., other voltages on request.

*1) Connector is not scope of delivery, see table »Accessories«

Model	Approvals ATEX	IECEX		FM	Datasheet
		IECEX	FM		
306x	PTB 03 ATEX 2015	—	—	—	N/en 7.1.560
307x	EC-Declaration of Conformity	—	—	—	N/en 7.1.565

Accessories

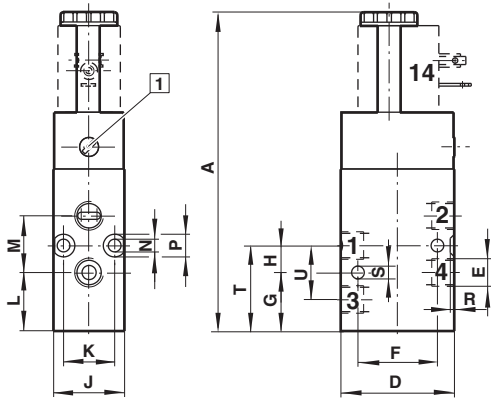
Connector DIN EN 175301-803	Silencer *1)
	
Page 4	
0570275 (Form A)	M/S1 (G1/8)
0680003 (Form B)	M/S2 (G1/4)

*1) For indoors use only

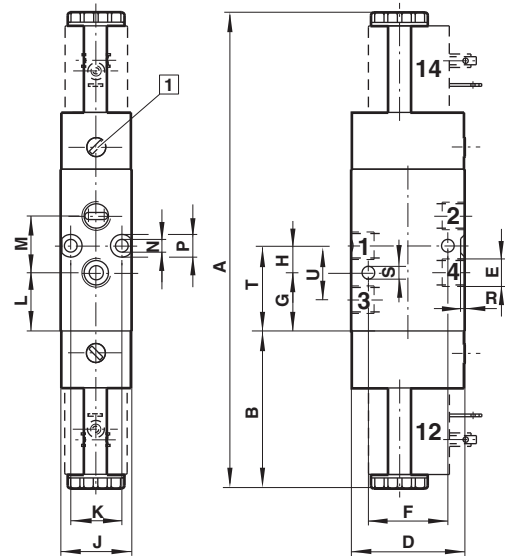
Dimensions

Dimensions in mm
Projection/First angle

1



2



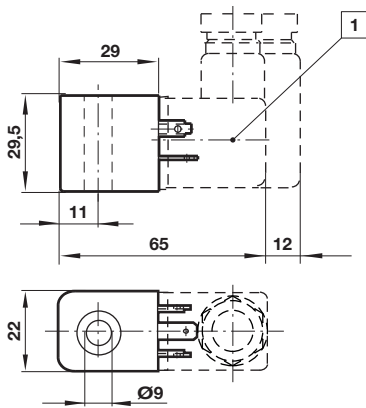
1 Manual override

Nr.	A	B	D	E	F	G	H	J	K	L	M	øN	øP	R	øS	T	U	Model *1)
1	112,5	—	40	G 1/8	28	20,5	9,5	25	18	20,5	20	4,5	8	2	4,5	30	19	26220
1	127,5	—	55	G 1/4	32	28,5	12	30	23	38,5	24	4,5	—	—	5,5	40,5	29	26222
2	172	54	40	G 1/8	28	25	9,5	25	18	25	20	4,5	8	2	4,5	34,5	19	26221
2	191	56,5	55	G 1/4	32	26	12	30	23	36	24	4,5	—	—	5,5	38	29	26223

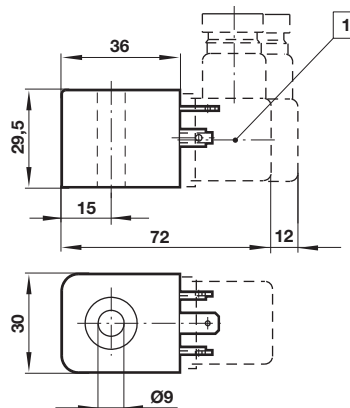
*1) When ordering please indicate solenoid, voltage and current type (frequency).

Solenoids

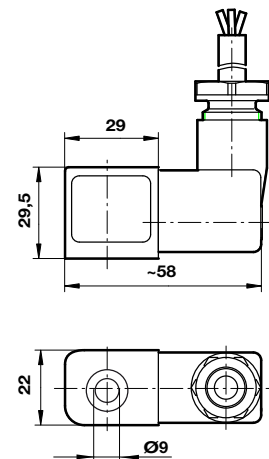
11



12



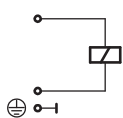
13



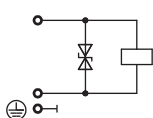
1 Connector can be indexed by 4x90°

Circuit diagrams

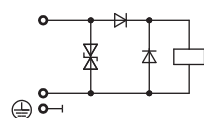
1

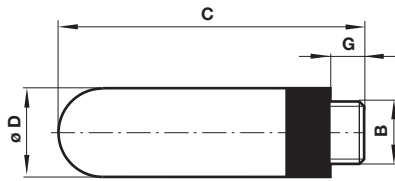


14



15



Silencer**Typ: M/S2, M/S4**Dimensions in mm
Projection/First angle

B	C	G	Ø D	Weight (g)	Model
G1/8	34	6,5	12,5	1,7	M/S1
G1/4	42,5	8	15,5	3,5	M/S2

Warning

These products are intended for use in industrial compressed air systems only. Do not use these products where pressures and temperatures can exceed those listed under

»Technical features/data«.

Before using these products with fluids other than those specified, for non-industrial applications, life-support systems or other applications not within published specifications, consult IMI NORGREN.

Through misuse, age, or malfunction, components used in fluid power systems can fail in various modes.

The system designer is warned to consider the failure modes of all component parts used in fluid power systems and to provide adequate safeguards to prevent personal injury or damage to equipment in the event of such failure.

System designers must provide a warning to end users in the system instructional manual if protection against a failure mode cannot be adequately provided.

System designers and end users are cautioned to review specific warnings found in instruction sheets packed and shipped with these products.