

NOTES:

1. MATERIALS AND FINISHES:

- BODY- BRASS, NICKEL PLATING
- CONTACT - BeCu, GOLD PLATING
- CONTACT - BRASS, GOLD PLATING
- INSULATOR - PTFE

2. ELECTRICAL:

- A. IMPEDANCE: 50 OHM
- B. DIELECTRIC WITHSTANDING VOLTAGE: 1500 VRMS, MIN.

3. MECHANICAL:

- A. DURABILITY: 500 CYCLES MIN.
- B. TEMPERATURE RANGE: -65°C TO +165°C.

4. PACKAGING:

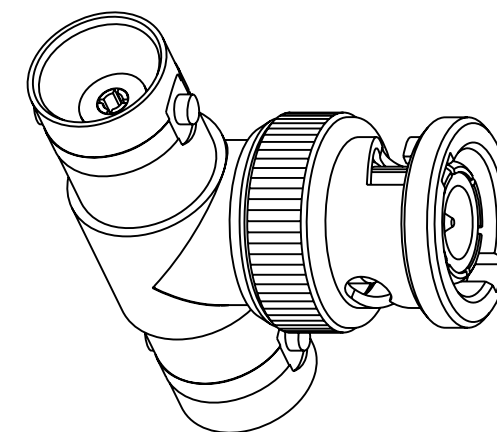
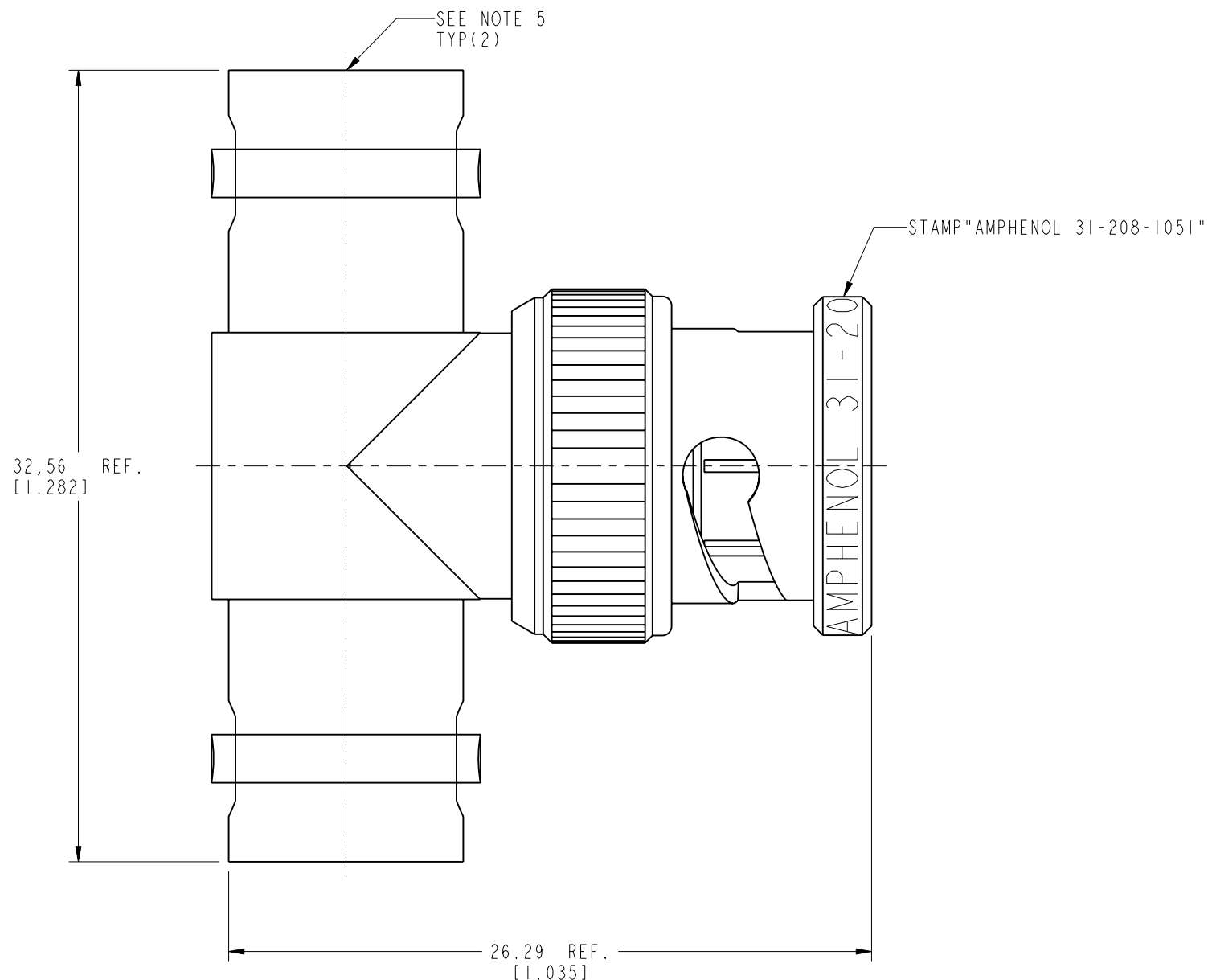
- A. QUANTITY: SINGLE PACK
- B. MARKING: BAG TO BE MARKED
"AMPHENOL, 31-208-1051, AND DATE CODE"

5. MUST CONFORM TO AMPHENOL SPEC. 349-50551, SEC.301.

THIRD ANGLE PROJ.

REVISIONS

REV	DESCRIPTION	DATE	ECO	APPR
A	RELEASE TO MFG.			TA
B	SEE SHEET 1	06-Mar-08	--	AW
M	SEE SHEET 1	11-Dec-09	47687	SH
M	SYNCH DWGS	21-Aug-12	49166	SH
N	INTERNAL DOCUMENT CHANGE ONLY	21-Jun-13	49599	SH



SCALE 2.000

CUSTOMER OUTLINE DRAWING

ALL OTHER SHEETS ARE FOR INTERNAL USE ONLY

UNLESS OTHERWISE SPECIFIED, DIMENSIONS ARE IN METRIC AND TOLERANCES ARE: <0.5mm ±0.05mm 0.5 - 6mm ±0.1mm 6 - 30mm ±0.2mm 30 - 120mm ±0.3mm ANGLES ±1°	MATERIAL	DRAWN T.DENG	DATE 21-Jun-13	TITLE BNC TEE ADAPTER UG-274A/U	Amphenol RF Danbury CT USA, Tainan, Taiwan, Shenzhen, China www.amphenolrf.com
	REFERENCE EAR #1149 CONFIGURATION LEVEL: <input type="checkbox"/> <input type="checkbox"/>	ENGINEER D.ROYCE	DATE 25-Aug-88		
NOTICE - These drawings, specifications, or other data (1) are, and remain the property of Amphenol corp. (2) must be returned upon request; and (3) are confidential and not to be disclosed to any person other than those to whom they are given by Amphenol Corp. the furnishing of these drawings, specifications, or other data by Amphenol Corp., or to any other person to anyone for any purpose is not to be regarded by implication or otherwise in any manner licensing, granting rights to permitting such holder or any other sperson to manufacture, use or sell any product, process or design, patented or otherwisle, that may in any way be related to or disclosed by said drawings, specifications, or other data.	FINISH	APPROVED S.HSIEH	DATE 21-Jun-13	DWG SIZE B	REV N
					DRAWING NO. 31-208-1051 ITEM NO. 31-208-1051 PART NO. 31-208-1051