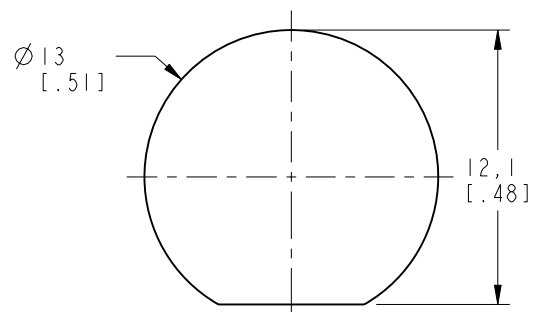


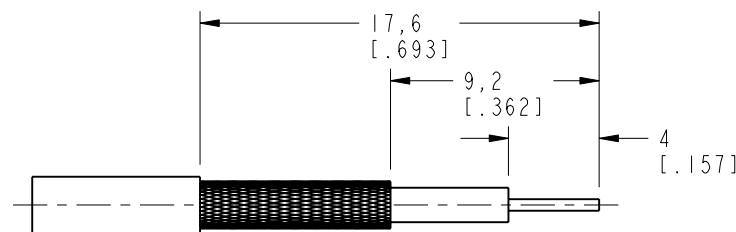
NOTES:

- MATERIALS AND FINISHES(PLATING THICKNESS IN MICRO-INCHES):
 BODY - BRASS, NICKEL PLATING
 CONTACT - PHOSPHOR BRONZE, GOLD PLATING
 INSULATOR - DELRIN, NATURAL
- ELECTRICAL:
 A. IMPEDANCE: 50 OHM
- CRIMPED FERRULE: HEX CRIMP SIZE .178"
- CRIMPED CONTACT PIN: HEX CRIMP SIZE .068"
- MAX. PANEL THICKNESS=3.5mm

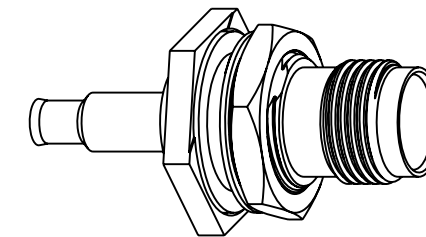


SCALE 3.000

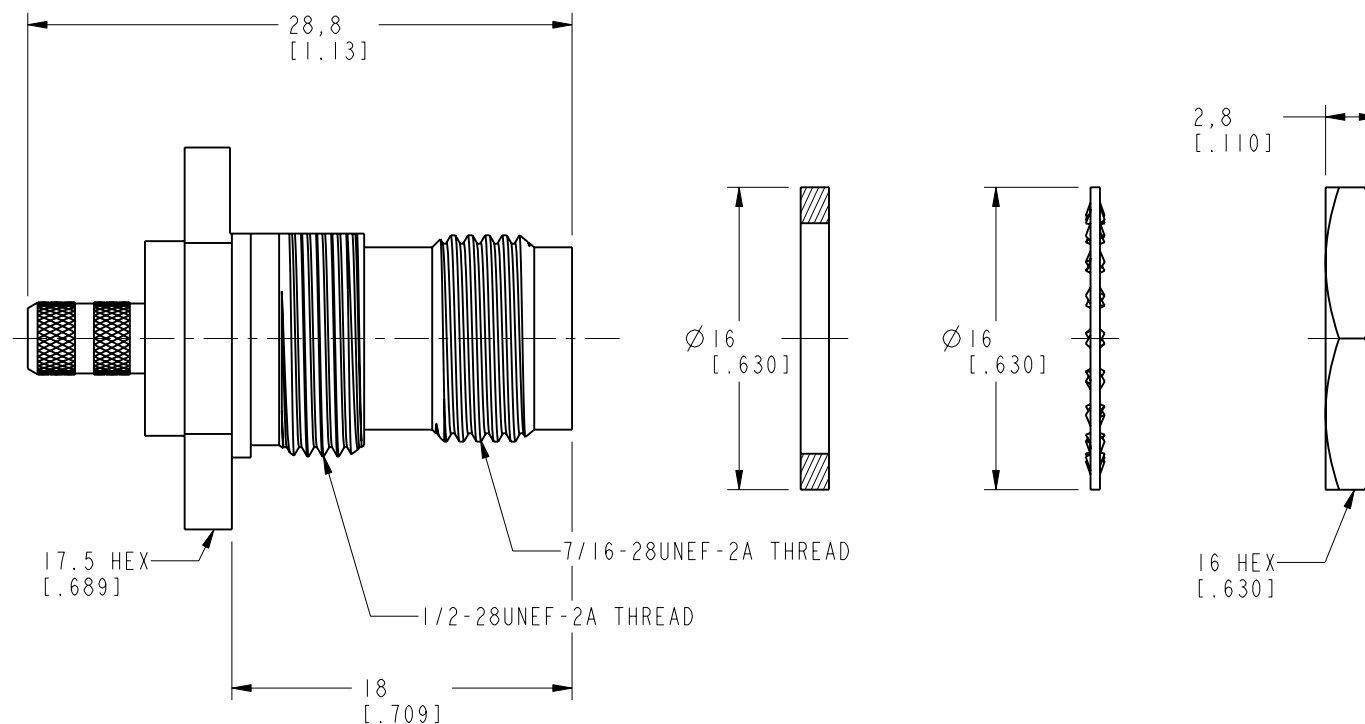
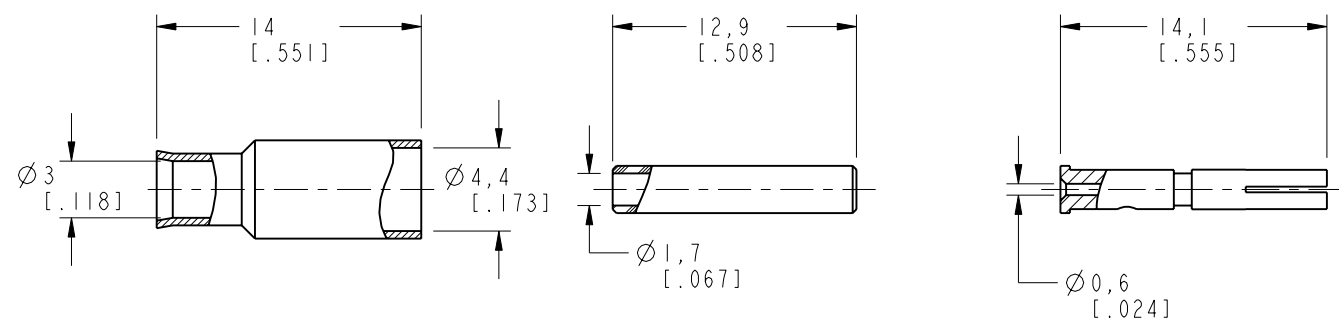
RECOMMENDED MOUNTING HOLE DIMENSIONS



RECOMMENDED CABLE STRIPPING



SCALE 1.500



CUSTOMER OUTLINE DRAWING

ALL OTHER SHEETS ARE FOR INTERNAL USE ONLY

UNLESS OTHERWISE SPECIFIED, DIMENSIONS ARE IN METRIC AND TOLERANCES ARE: <0.5mm ±0.05mm 0.5 - 6mm ±0.1mm 6 - 30mm ±0.2mm 30 - 120mm ±0.3mm ANGLES ±1°	MATERIAL	DRAWN R. MAO	DATE 15-Jun-11	TITLE TNC BULKHEAD CRIMP JACK FOR RG-316/U, 188A/U, 174/U CABLE SCALE: 2.5:1.0 SHEET 2 OF 2	Amphenol RF www.amphenolrf.com	
	NOTICE - These drawings, specifications, or other data (1) are, and remain the property of Amphenol corp. (2) must be returned upon request; and (3) are confidential and not to be disclosed to any person other than those to whom they are given by Amphenol Corp. the furnishing of these drawings, specifications, or other data by Amphenol Corp., or to any other person to anyone for any purpose is not to be regarded by implication or otherwise in any manner licensing, granting rights to permitting such holder or any other person to manufacture, use or sell any product, process or design, patented or otherwise, that may in any way be related to or disclosed by said drawings, specifications, or other data.	REFERENCE GEN# ASSYF23.TNC	ENGINEER O. BARTHELMES			DATE 1/6/03
FINISH	APPROVED S. HSIEH	DATE 28-Jun-11	CAD FILE	DWG SIZE B	REV C	ITEM NO. 026421AAA36ND5F PART NO. 31-2318-RFX