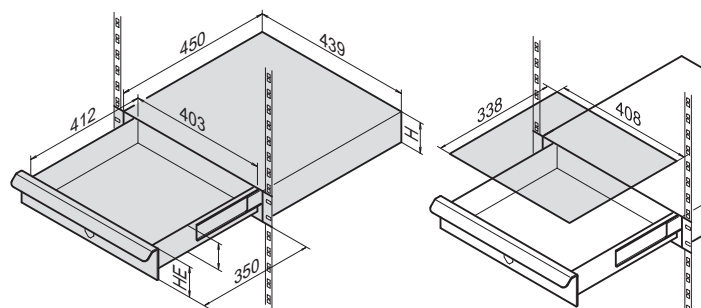


Cabinet Accessories – Mechanics

19" drawer



00506009



sza44206sza46122

19" drawer

Writing surface

- Height 1, 2 or 3 U
- Static load-carrying capacity 15 kg
- Optional writing surface

Delivery comprises ((assembled))

Item	Qty	Description
1	1	19" drawer with lock (2 keys)
1	2	Assembly kit

Order Information

Height H	Height h	Front panel anodised	Front panel RAL 7021	Front panel RAL 7035
U	mm	mm	Part no.	Part no.
1	41.6	30	20110-061	20110-180
2	86.0	73	20110-062	20110-181
3	130.5	117	20110-063	20110-182

Accessories

Writing surface for 19" drawer	St, 1 mm, RAL 7035, 1 piece	20110-060
Delivery: supplied loose with cabinet or frame		Part no./35



For further information www.schroff.biz/oneclick
oneClick search code = Part no.

19" keyboard drawer, 2 U



005002

- For keyboards up to 425 mm width, 210 mm depth, 45 mm height
- IP 40 when closed

Delivery comprises

Item	Qty	Description
1	1	Keyboard drawer with hinged front panel, Al, anodised (incl. locking)
2	2	Telescopic slide, St, zinc-plated
3	1	Keyboard chassis, St, 2.5 mm, RAL 7030
4	2	Front horizontal rail, Al extrusion, anodised

Order Information

Description	Part no.
19" keyboard drawer, 2 U	10822-009

Accessories

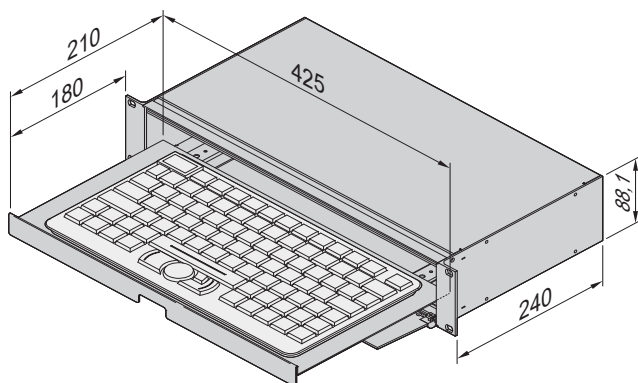
Lock for 19" keyboard drawer	1 × lock incl. 2 keys	60126-118
Delivery: supplied loose with cabinet or frame		Part no./35

Note

- Without keyboard
- 19" assembly kit, see page 3.17



For further information www.schroff.biz/oneclick
oneClick search code = Part no.



A41263