



Actual size shown with °C scale



Dual Thermostat ZR 011

- Two thermostats in one unit
 - one Normally Closed (NC)
 - & one Normally Open (NO)
 - or two Normally Open (NO)
- Each with wide adjustable temperature range
- Available with °F or °C scale
- DIN rail mountable

The ZR 011 houses two separate thermostats, allowing the independent control of heating and cooling or other equipment. Both thermostats offer wide adjustment ranges and are color coded for easy function recognition.

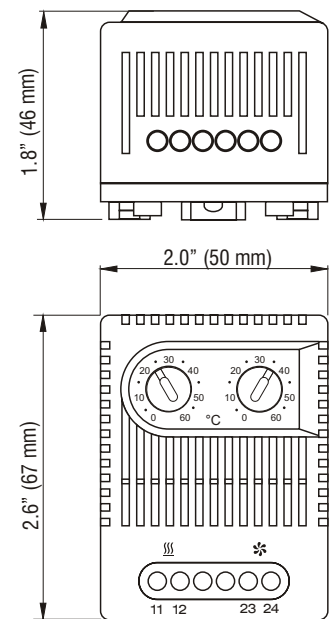
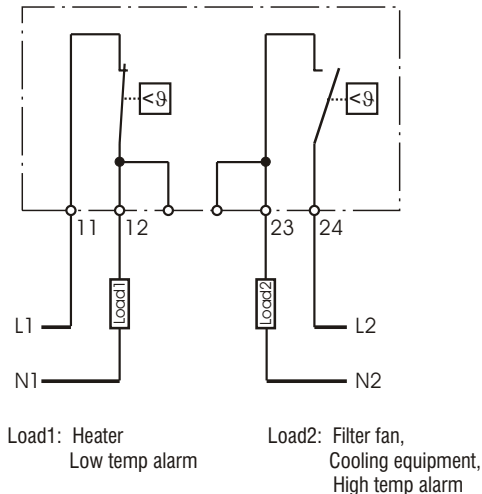
Technical Data ZR 011

Part No.	NC (red)	NO (blue)	Switching capacity (max. Load):
01172.0-01	32 - 140°F	32 - 140°F	NC: 10A resistive/2A inductive @ 250 VAC
01175.0-01	14 - 122°F	68 - 176°F	NO: 5A resistive/2A inductive @ 250 VAC
01172.0-00	0 - 60°C	0 - 60°C	DC 30 W
01175.0-00	-10 - 50°C	20 - 80°C	EMI/EMC compliance: EN55014-1 u. 2, EN61000-3-2/A14, EN61000-3-3
			Connections: 4-pole terminal for AWG 14 max. (2.5 mm ²)
			Mounting: Clip for 35mm DIN rail (EN 50022)
	NO (blue)	NO (blue)	Dimensions (H x W x D): 2.6 x 2.0 x 1.8" (67 x 50 x 46 mm)
01176.0-00	0 - 60°C	0 - 60°C	Housing: Plastic, UL94V-0
01176.0-01	32-140°F	32-140°F	Weight: 3.2 oz (90 g)
			Protection type: IP 20
Sensor element:	Thermostatic bi-metal		Operating/storage temperature: -49 to 158°F (-45 to 70°C)
Maximum tolerance:	± 7.2°F (4K)		Agency approvals: UL, CSA
Switching difference (hysteresis):	12.6°F ± 5.4°F (7°C ± 4°C)		Patent pending

Contacts:

NC (normally closed)
- contact will open at temperature rise

NO (normally open)
- contact will close at temperature rise



ZR011-11-05/US

Specifications are subject to change without notice. Suitability of this product for its intended use and any associated risks must be determined by the end customer/buyer in its final application.